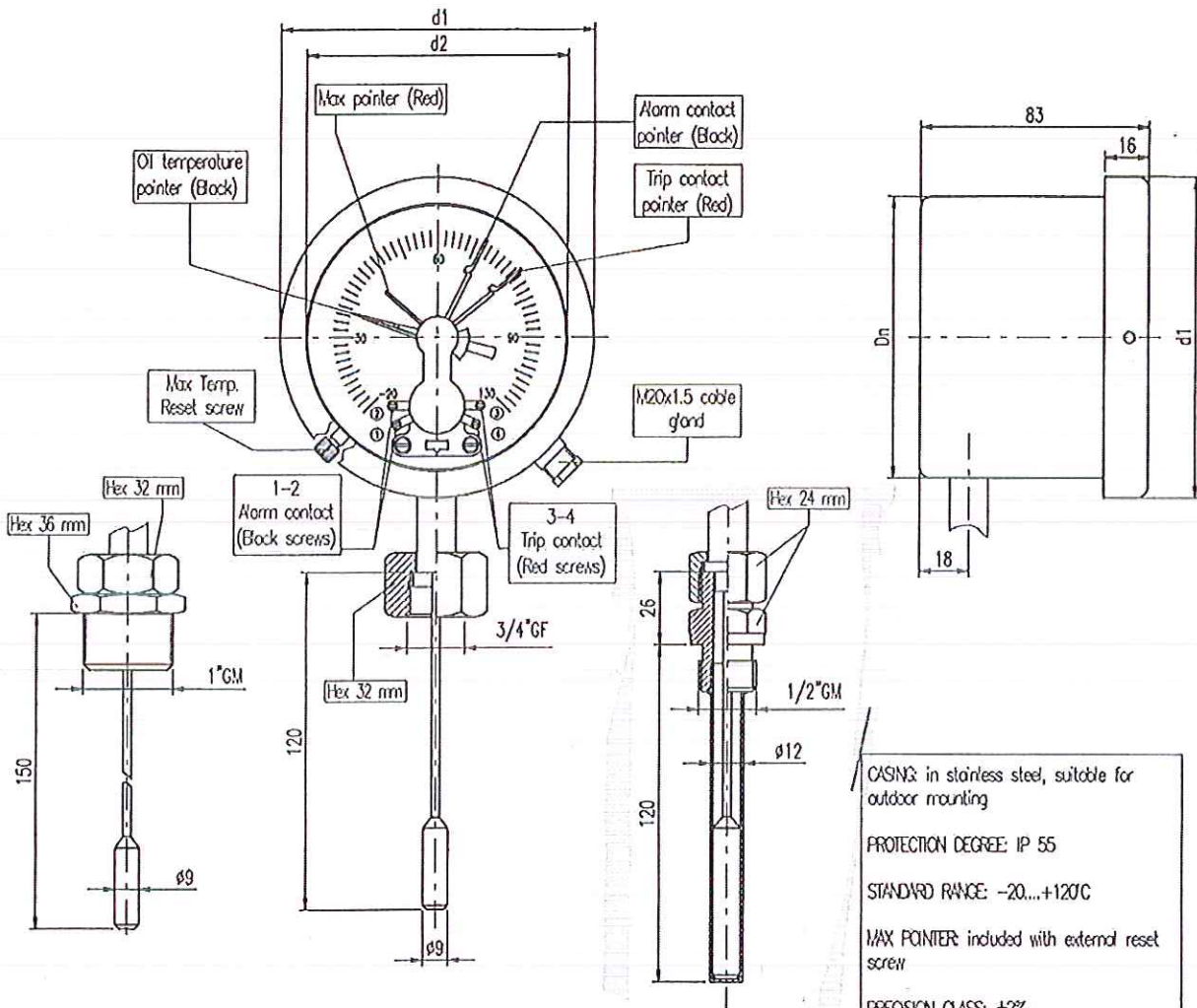


FILE = 3795 .DWG  
 REC. 02 DTD 07/11/16  
 A4 (210x297)  
 Lo CEDASPE S.p.A. si riserva a termini di legge la proprietà del presente disegno con diritto di riproduzione o terzi senza sua autorizzazione.



CASING: in stainless steel, suitable for outdoor mounting  
 PROTECTION DEGREE: IP 55  
 STANDARD RANGE: -20...+120°C  
 MAX POINTER: included with external reset screw  
 PRECISION CLASS: ±2%  
 ELECTRIC CONTACTS: two independent max contact, air insulated, normally open  
 Max Load 18VA/10V  
 BULB STYLE: to be indicated when issuing the order

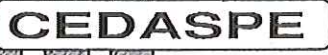
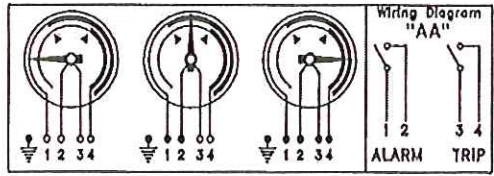
Bulb style "M"

Bulb style "F"

Bulb style "PK" (Removable packet)

Type	Dn	d1	d2	H	Bulb	Code
TESS-R-100-F	100	113	95	80	F	TE10SS1ROF
TESS-R-100-PK					PK	TE10SS1ROP
TESS-R-100-M					M	TE10SS1ROM

Performance of contacts	
DC	AC
24V / 200mA - DC	24V / 350mA - AC
110V / 80mA - DC	110V / 90mA - AC
240V / 40mA - DC	240V / 45mA - AC



Titolo  
**Thermometers TESS series for DT**  
 - stainless steel housing  
 - radial rigid stem

Data 11/03/13  
 Scala =====  
 Dis.  
 Visto

Dis. Nr  
**3795**  
 1 2