





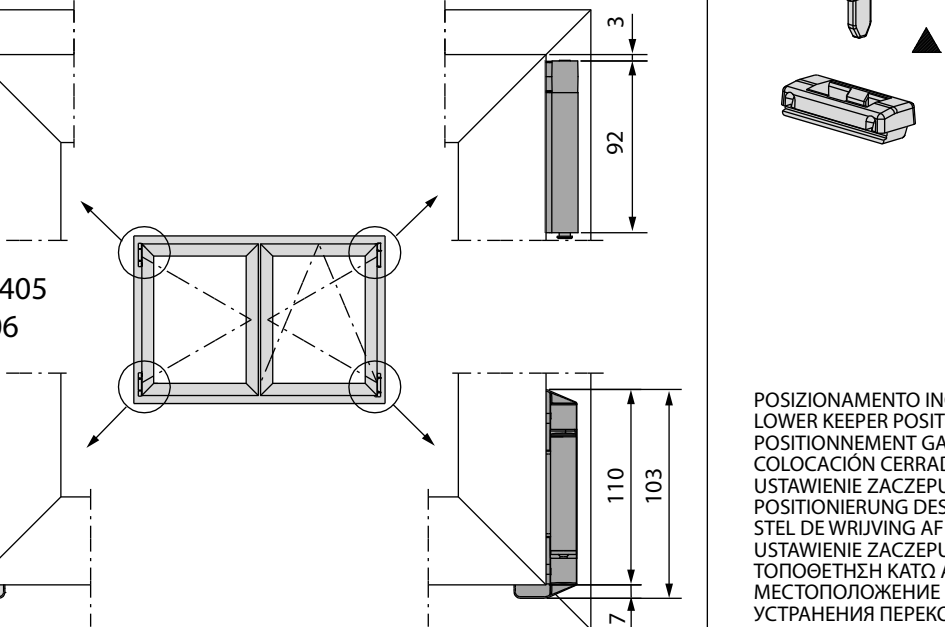
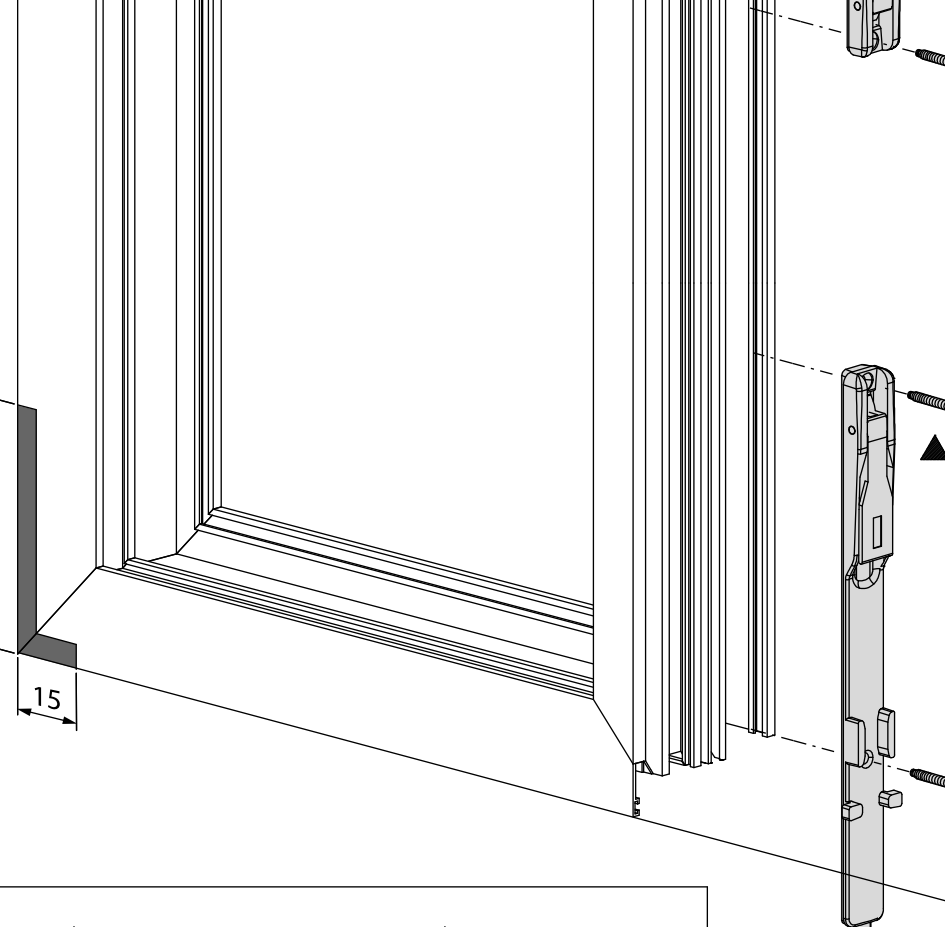
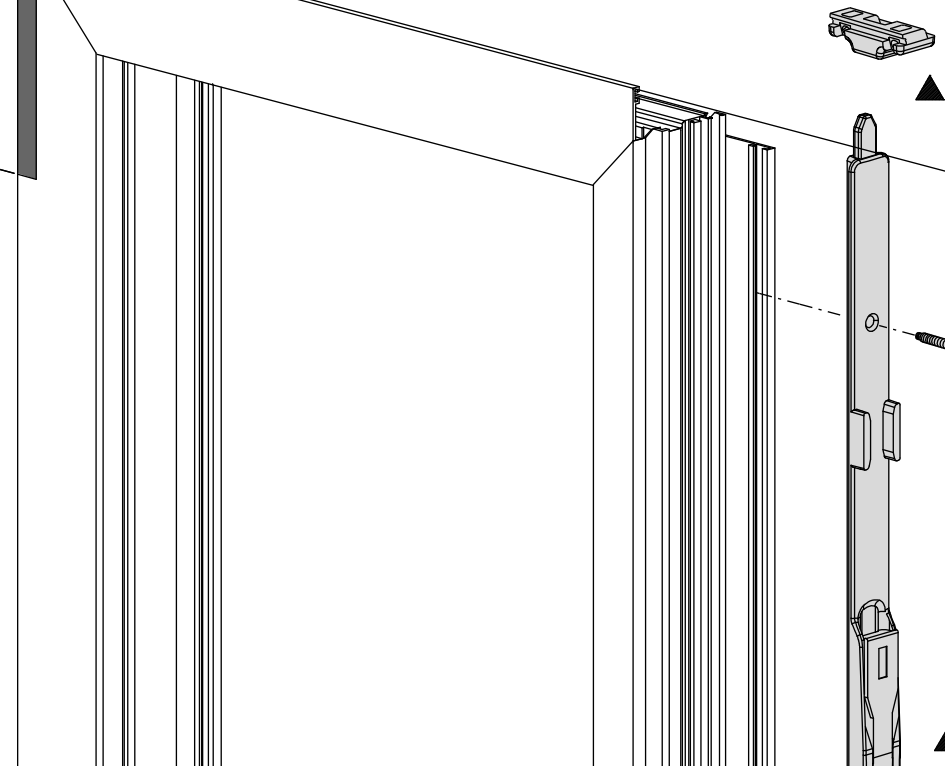
TYL-AND-TURN CAPACITY LOAD PORTJE OČIŠĆIO - BATENE CAPACIDAD OSCILLO - BATENE ВЫБИРАЧИ ПОБОРТОНО ОТБИВНОЙ МЕХАНИЗМ NOVOSTY ZAČEKRENO - OTKLOPNOG MEHANIZMA

WYŻYTMOŚĆ OKŁÓCZNYCH SIŁ WYBRACIOWYCH I ZATKOWANIE, KOTÓRY WYBIERZĄCZNIK BATENE

Table with columns for dimensions (L, H) and values for different window types. Includes MAX. 130 kg and various technical specifications.



Table with columns for dimensions (L, H) and values for different window types. Includes 'MAX. 130 kg' and '48'.



IMPIEGO DEI BRACCIA A COMPASSO USE OF THE ARMS UTILISE DES COMPAS USO DE LOS COMPAS ESCOJA DOS BRACOS DE COMPASSO ANWENDUNG DER WINKELBANDSCHEN

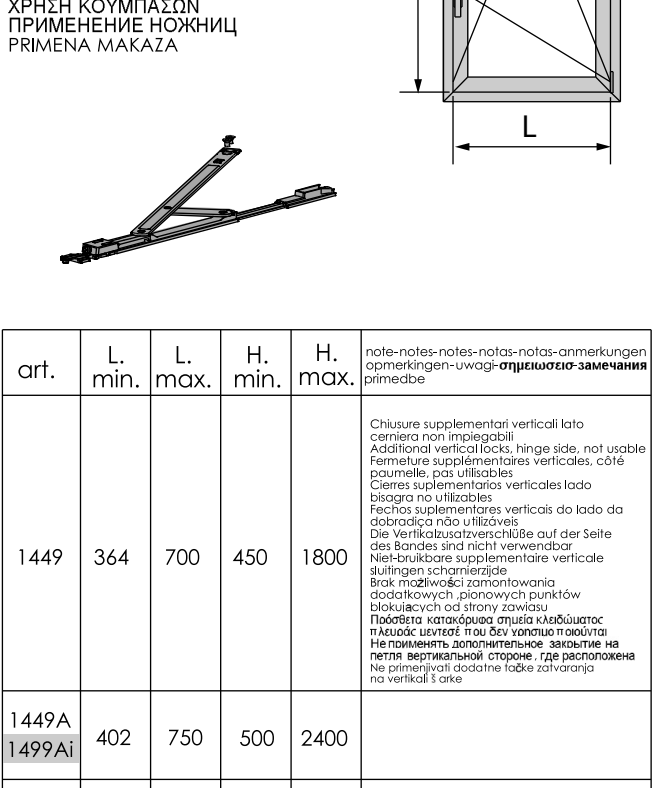
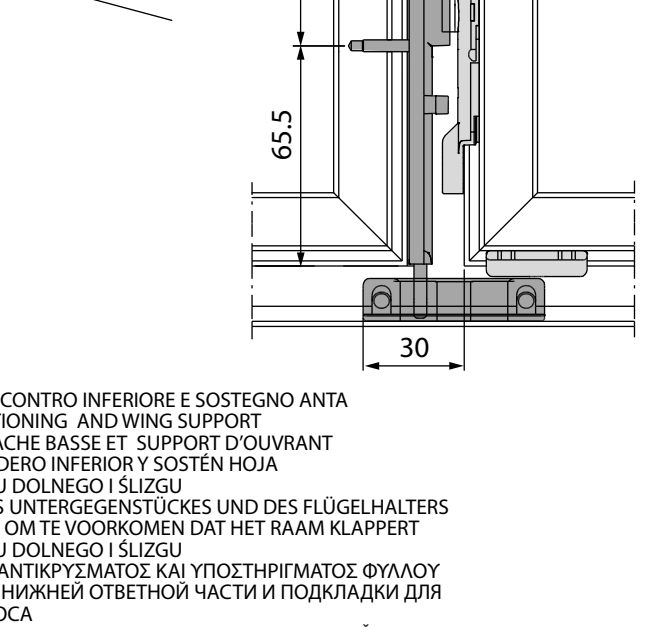
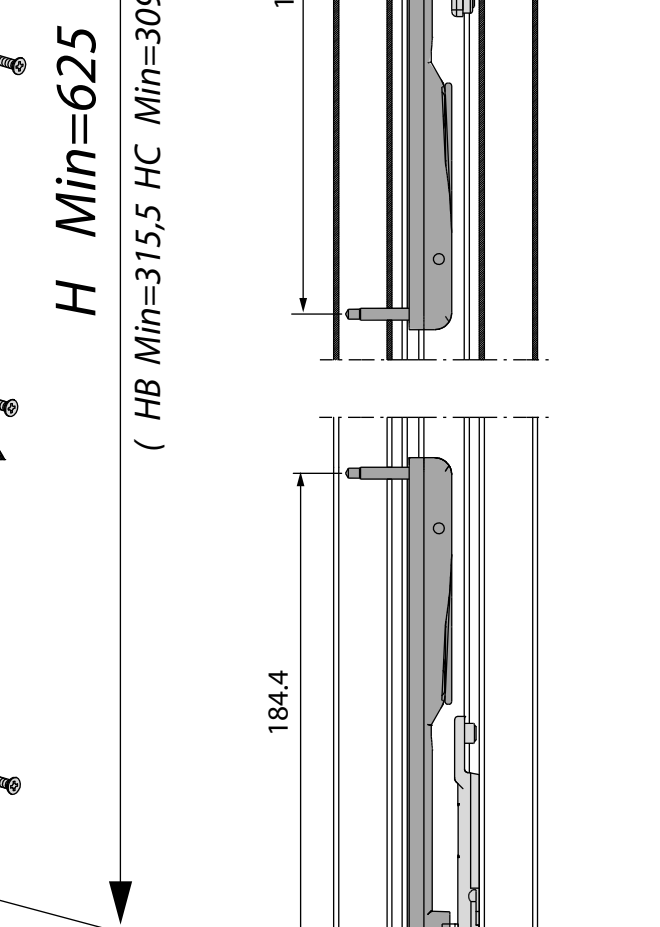
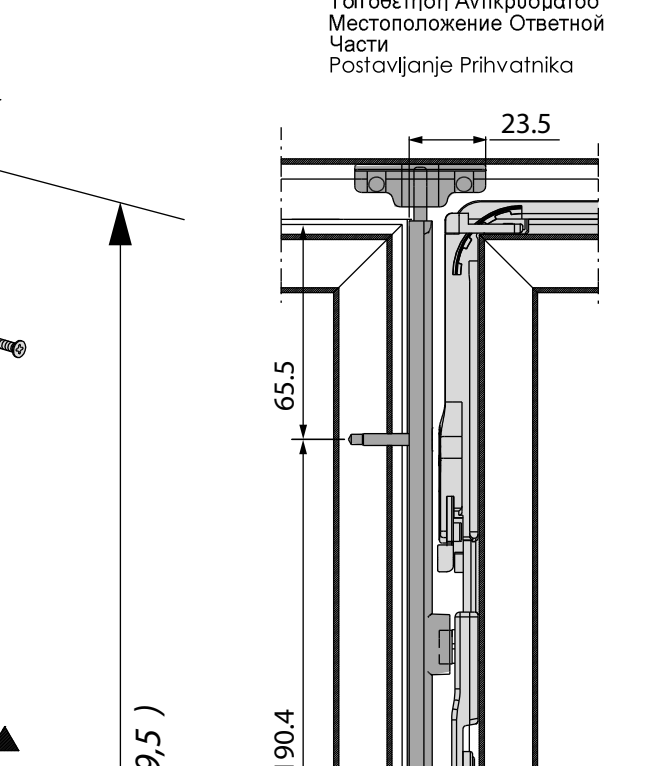
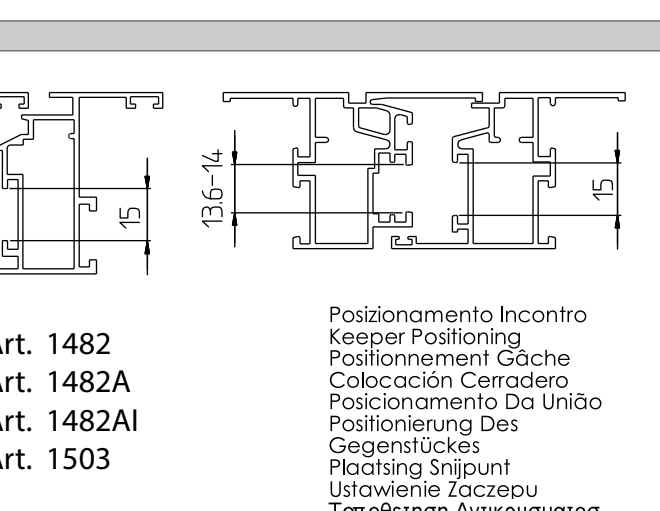
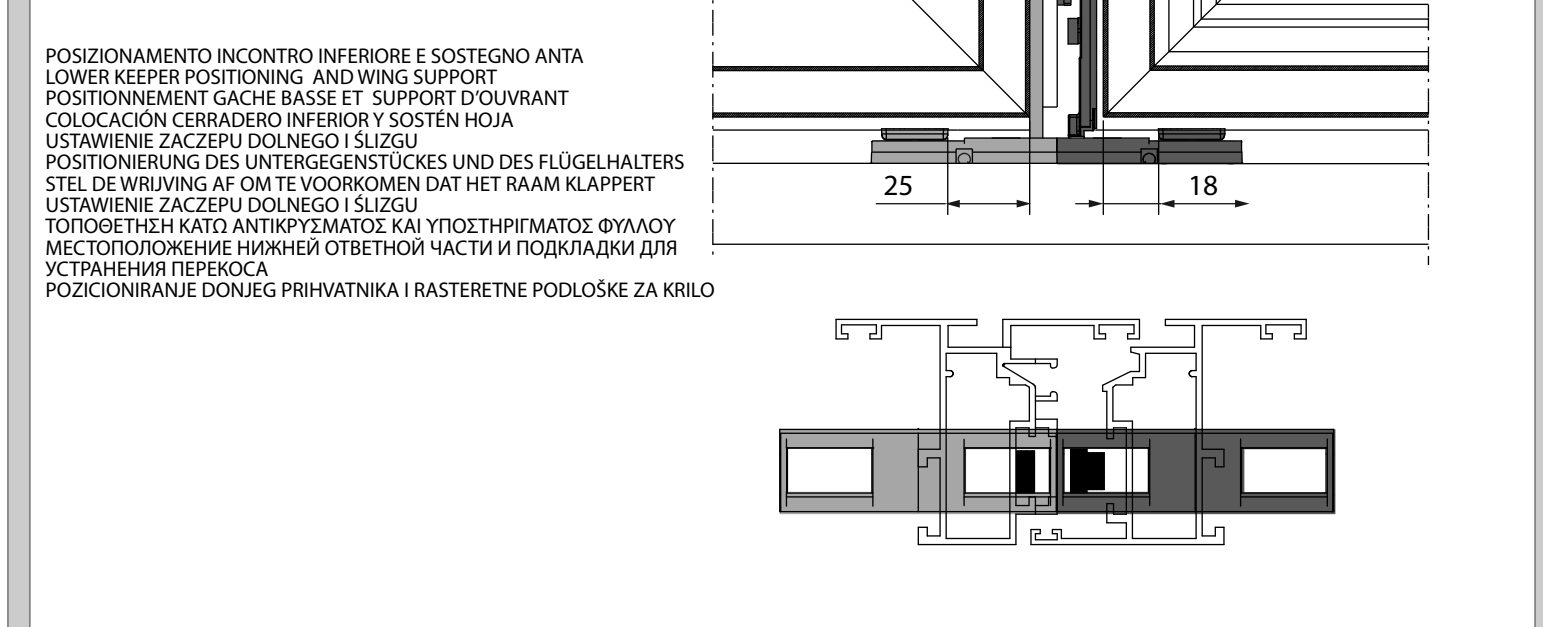
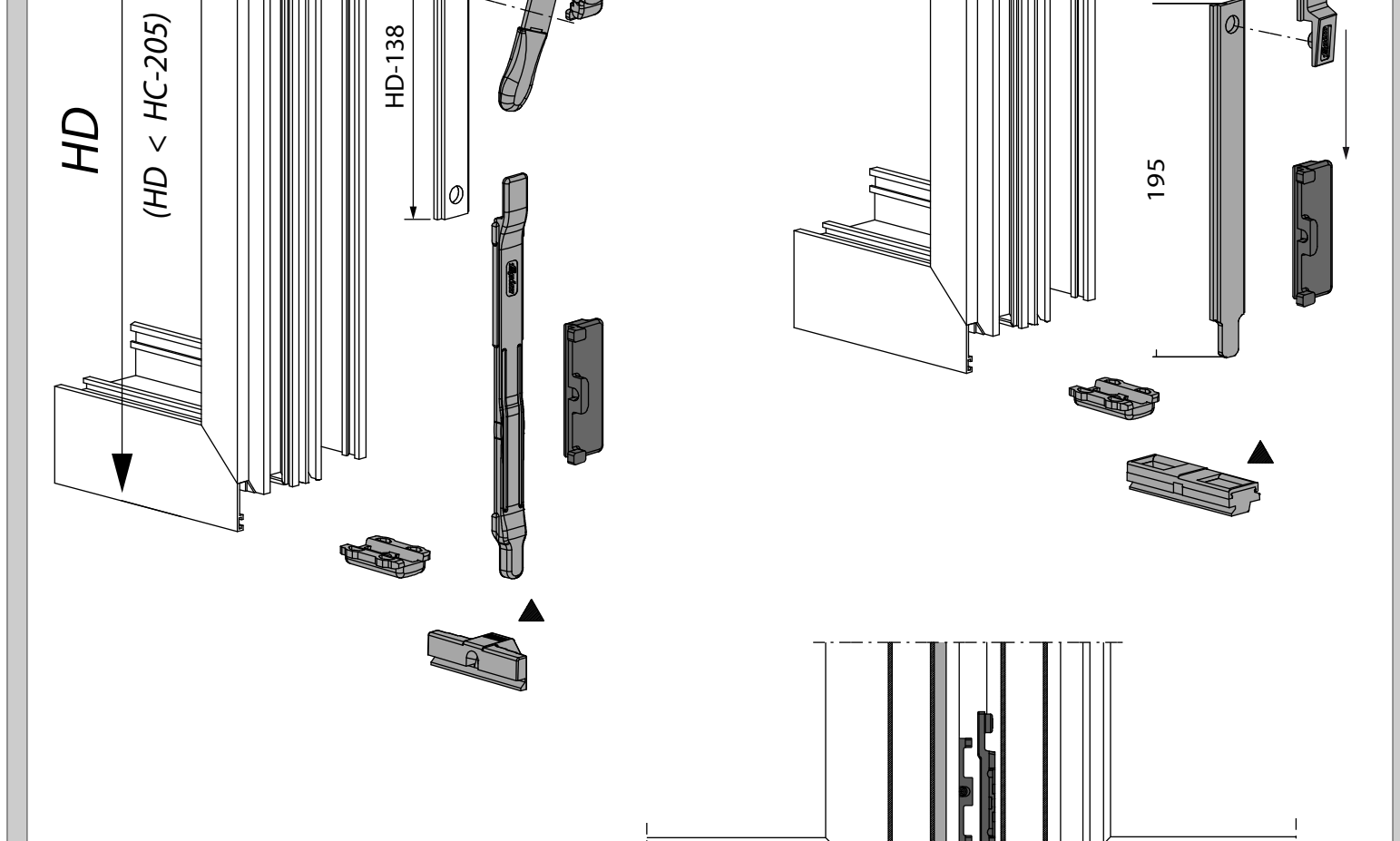
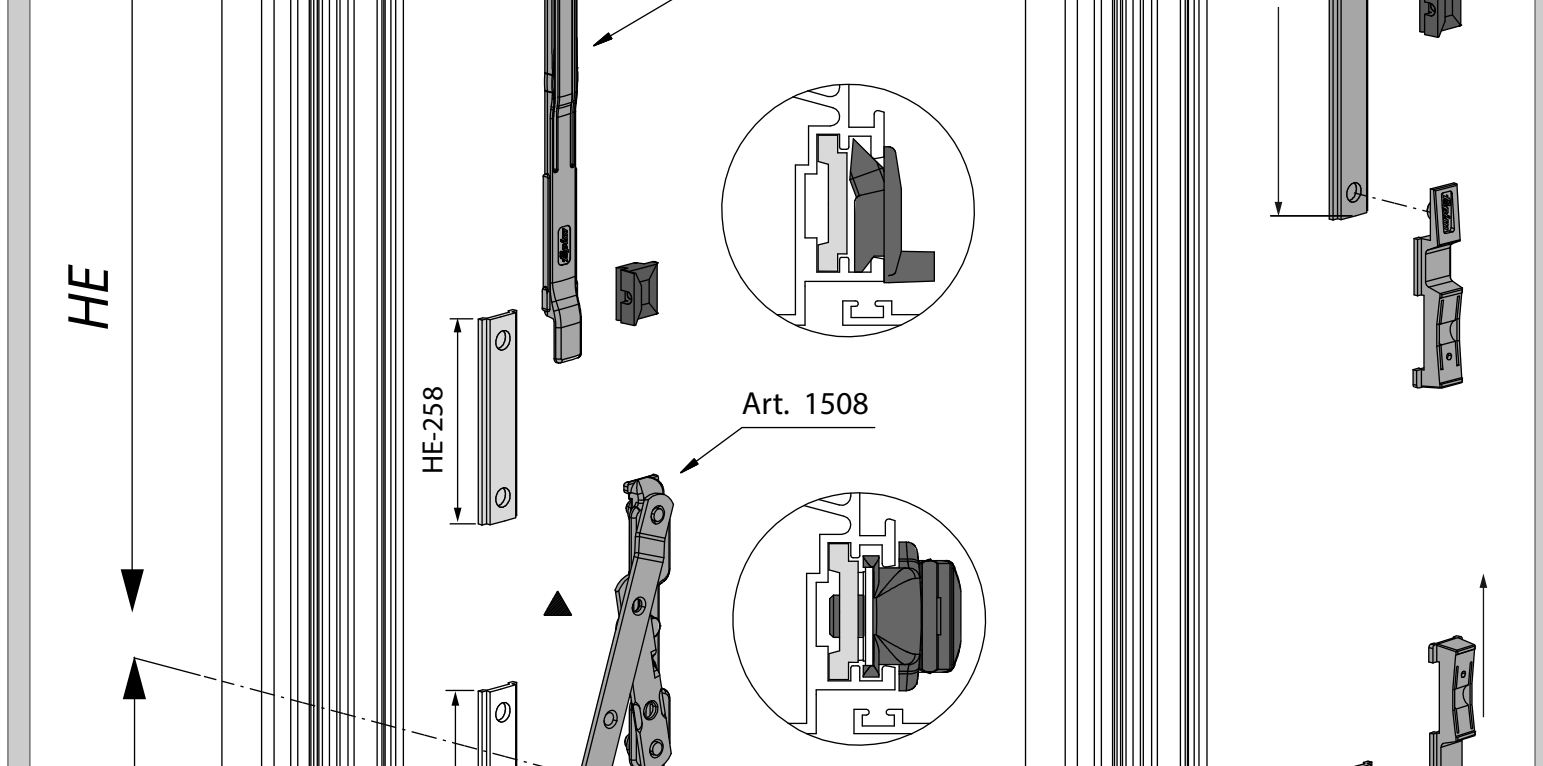
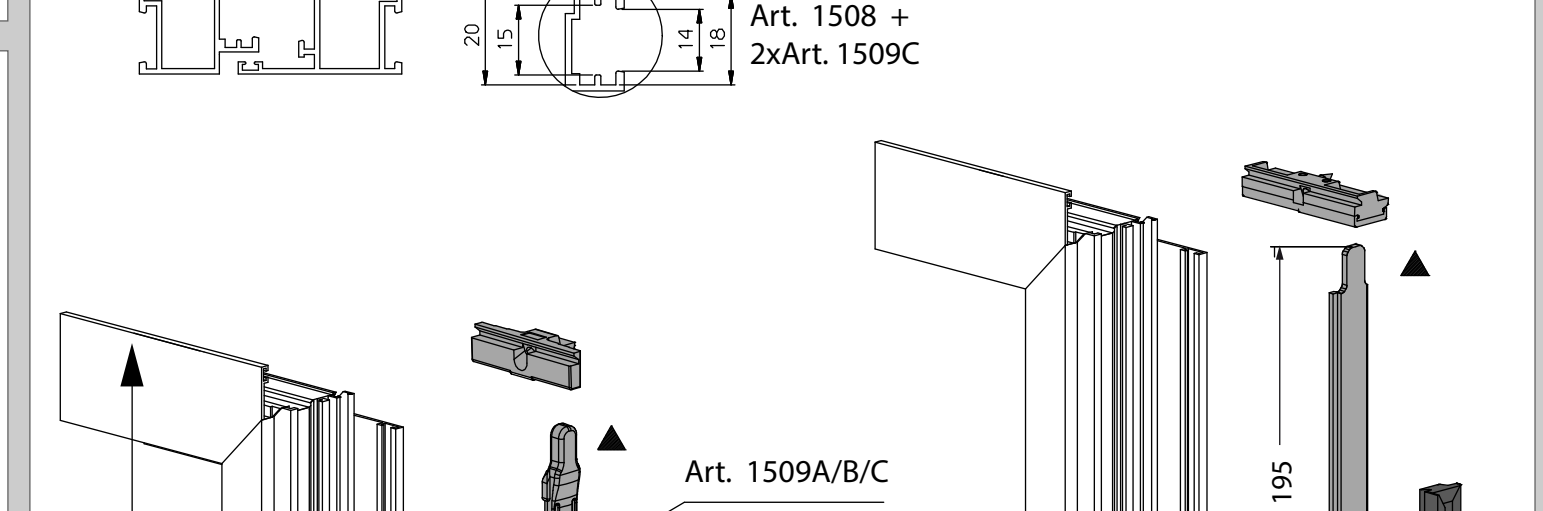
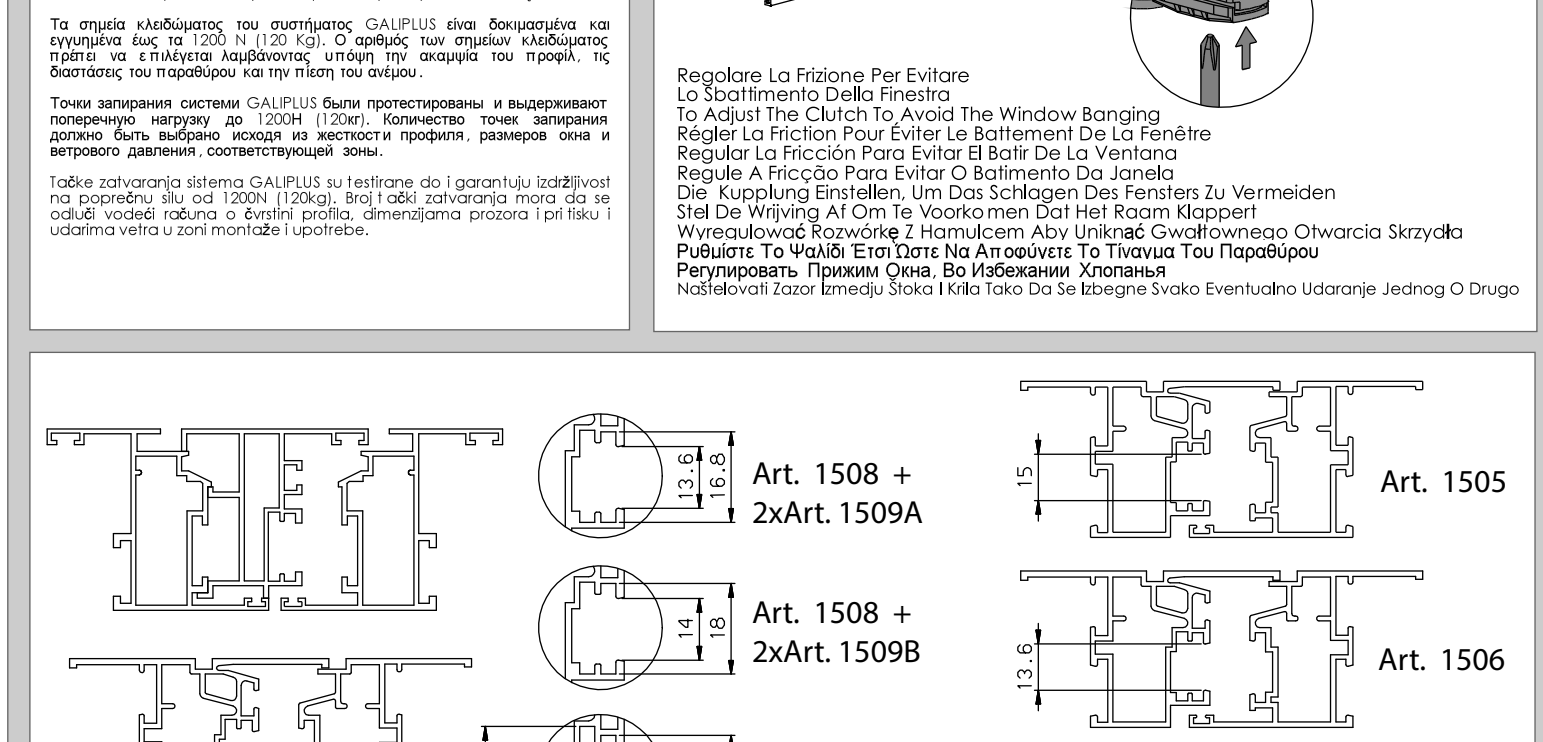
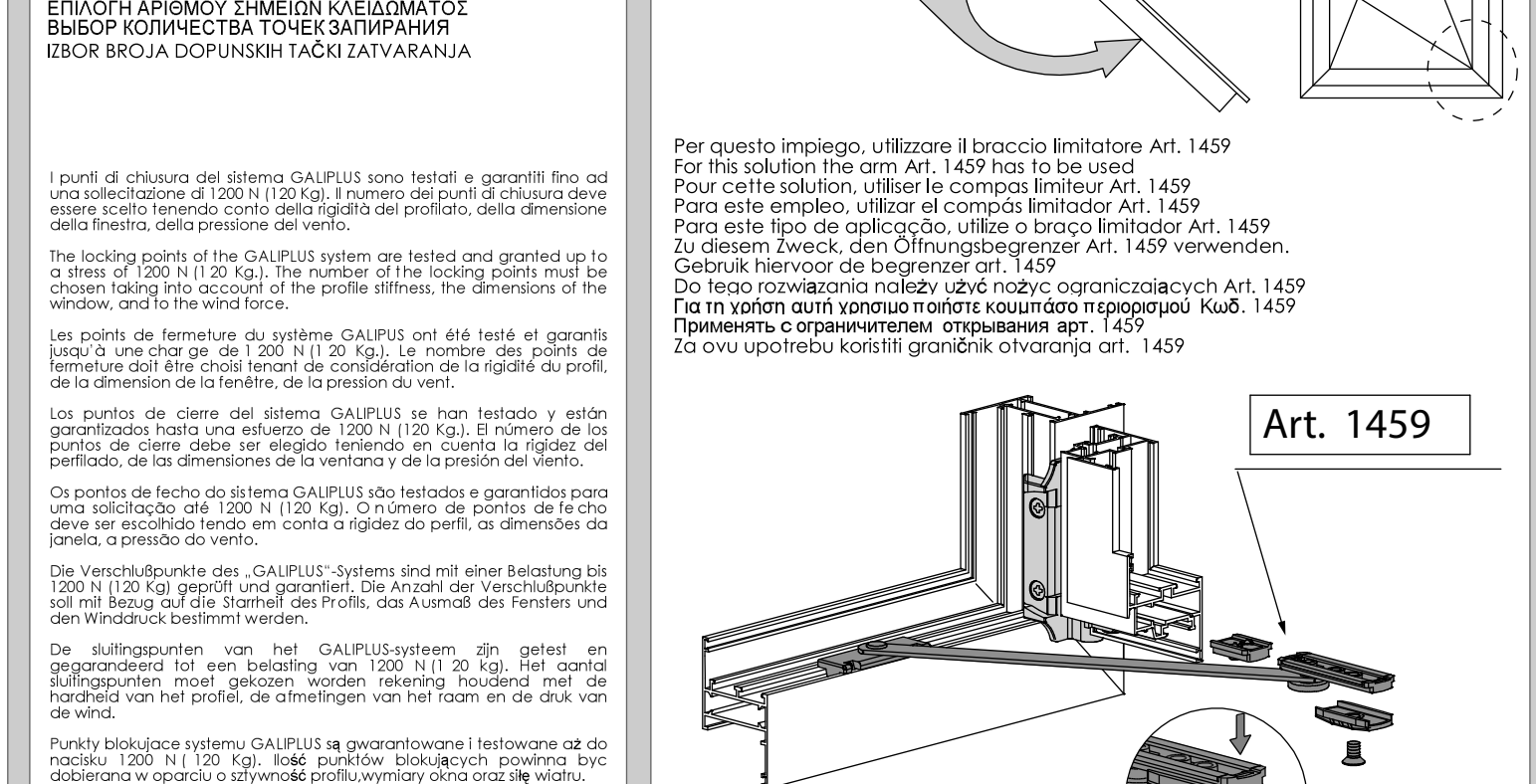


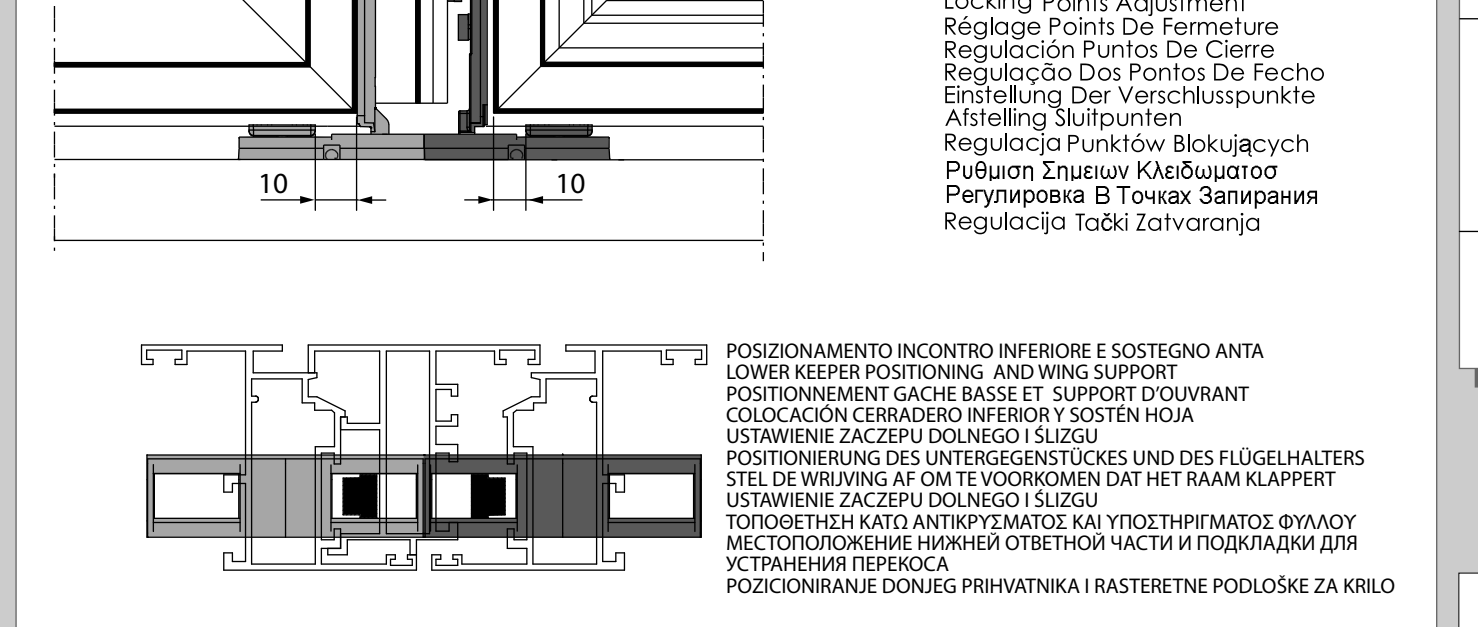
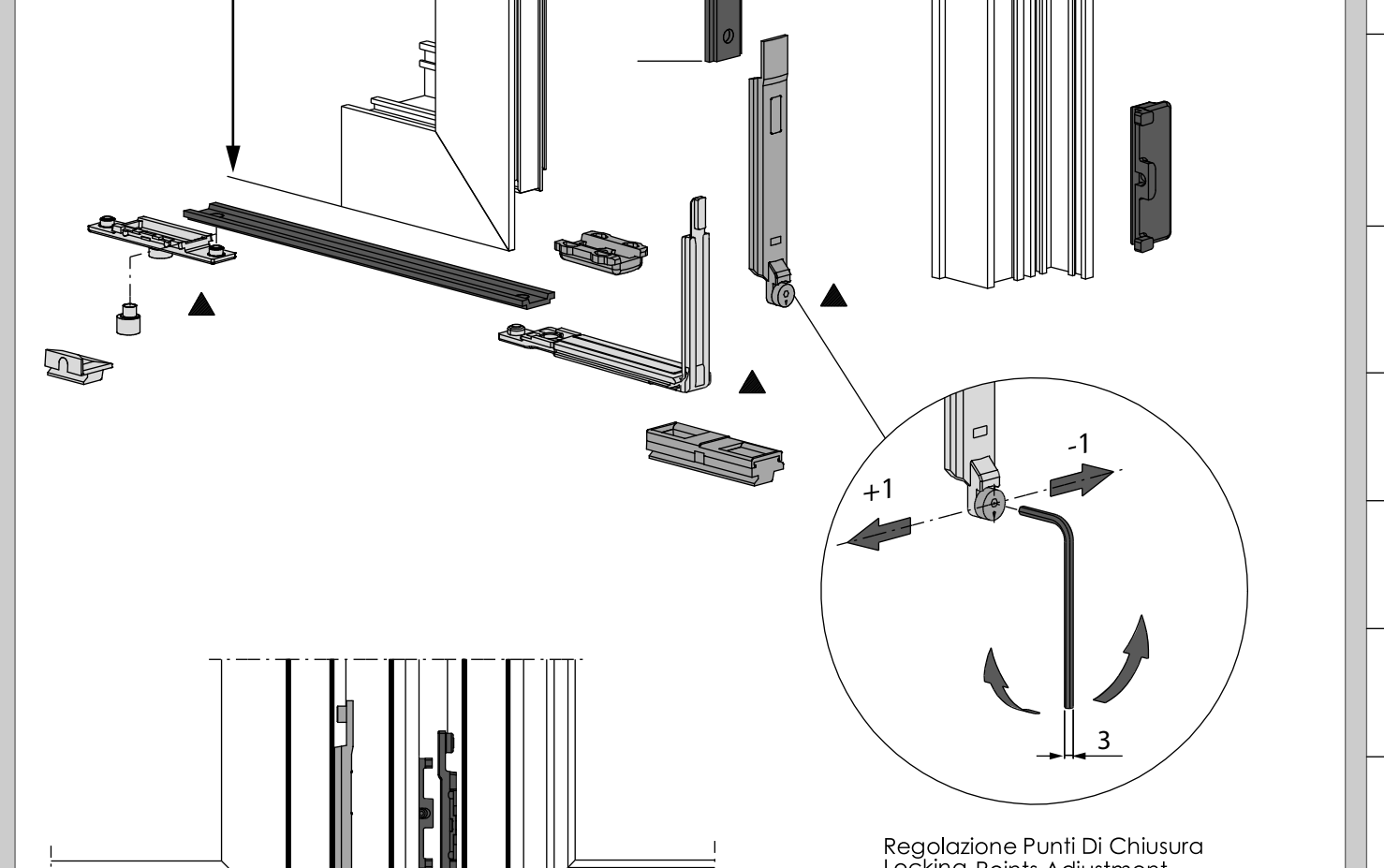
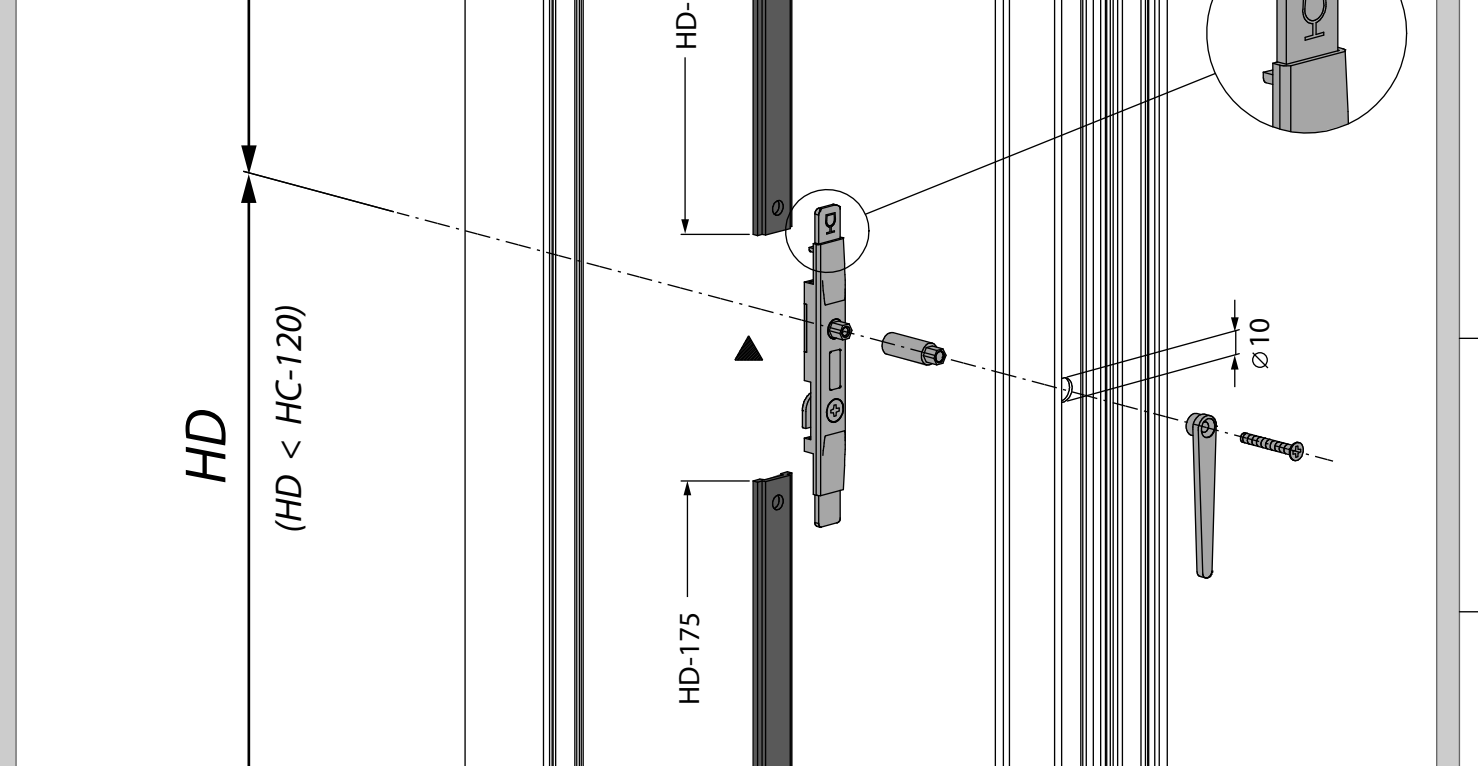
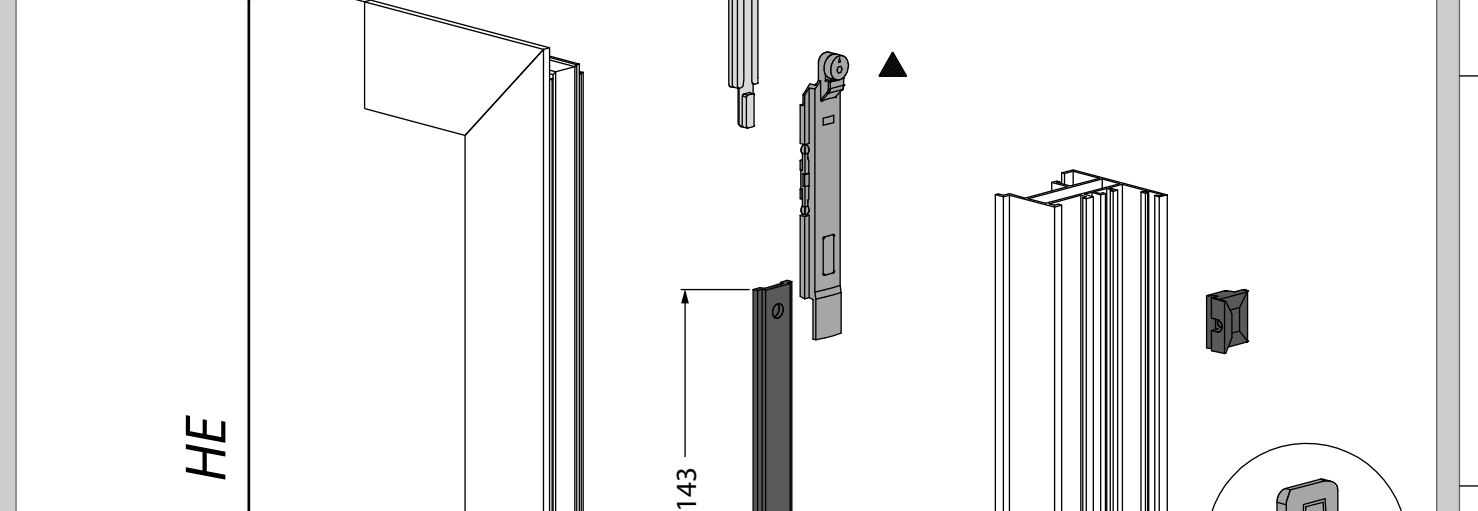
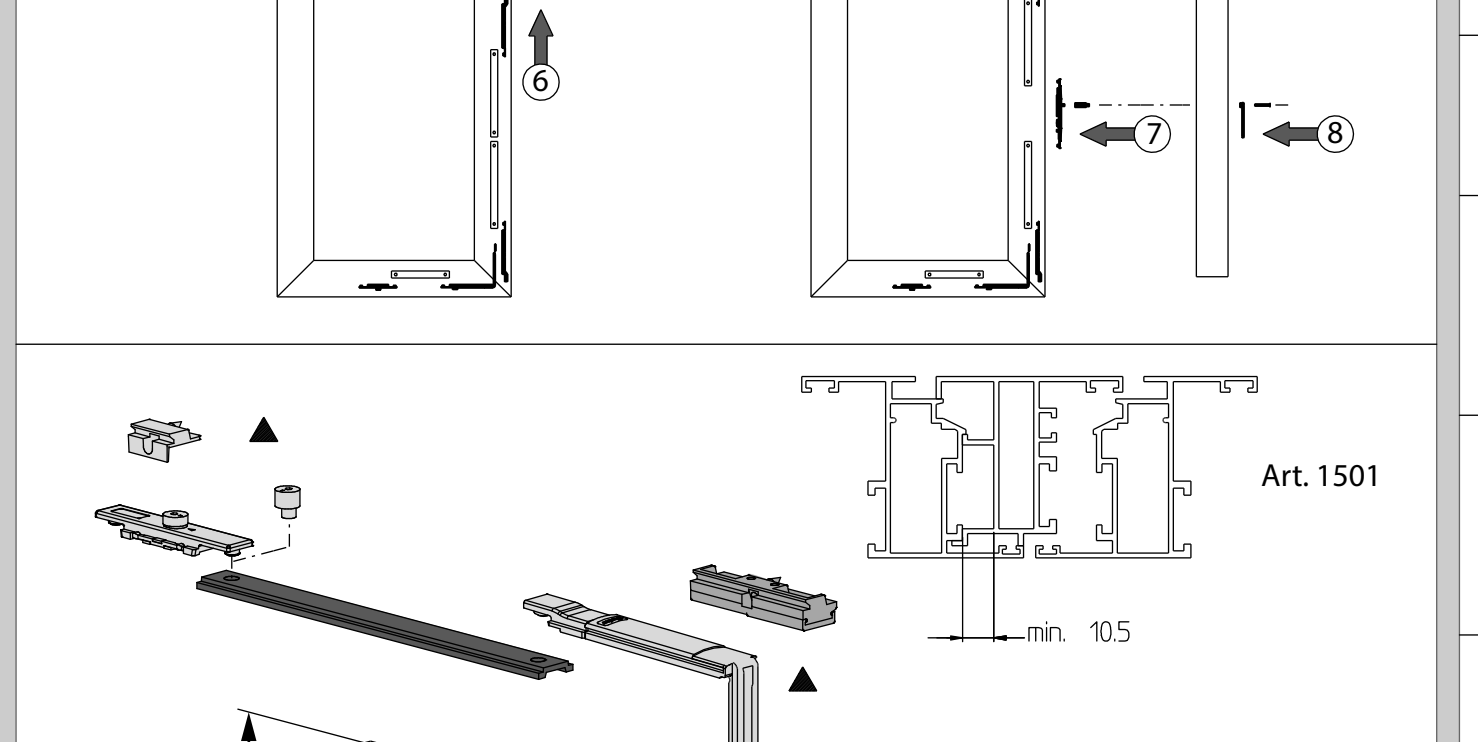
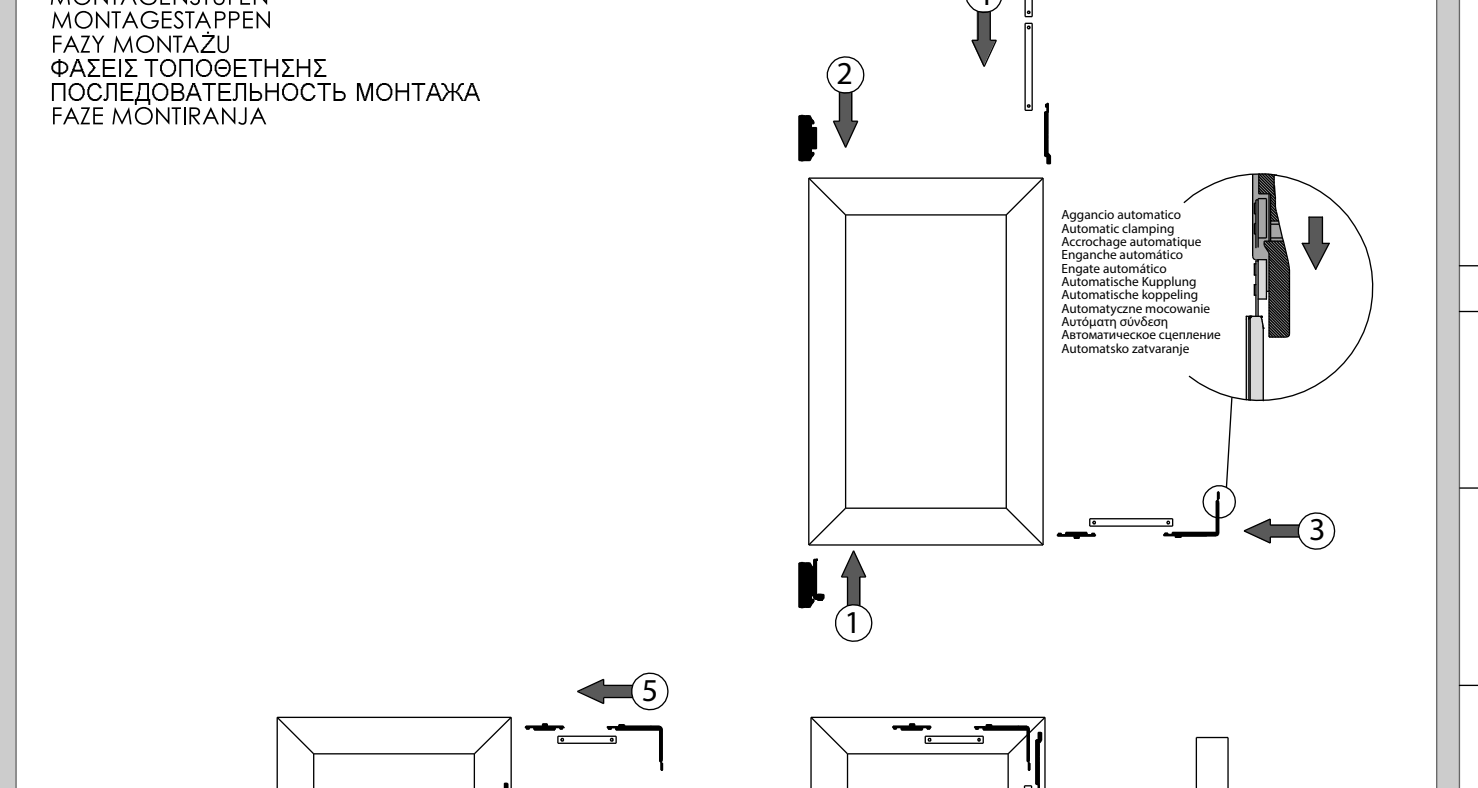
Table with columns for dimensions (L, H) and values for different window types. Includes '1449 A', '1450A', '1450Ai'.



SCelta DEL NUMERO DEI PUNTI DI CHIUSURA CHOICE OF THE LOCKING POINTS NUMBER ESCOJA DEL NUMERO DE LOS PUNTOS DE CIERRE



FASI DI MONTAGGIO ASSEMBLING STEPS PHASES DE MONTAGE FASES DE MONTAGE MONTAGESTAPPEN FAZY MONTAZU



GALIPLUS 2

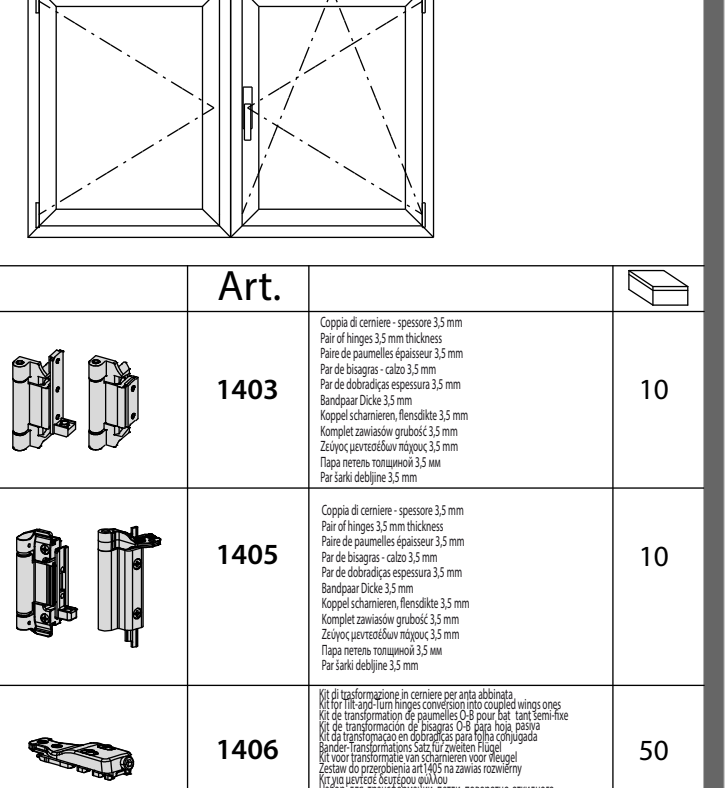


Table with columns for dimensions (L, H) and values for different window types. Includes '1403', '1405', '1406', '9826'.

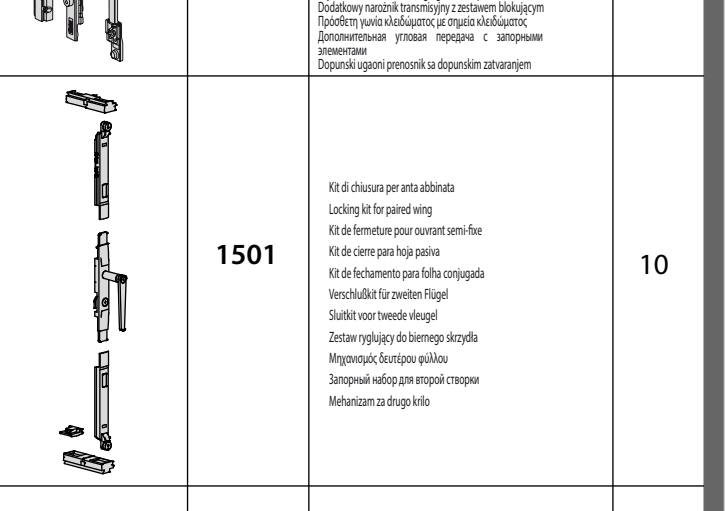


Table with columns for dimensions (L, H) and values for different window types. Includes '1482', '1482Ai', '1497A', '1501'.

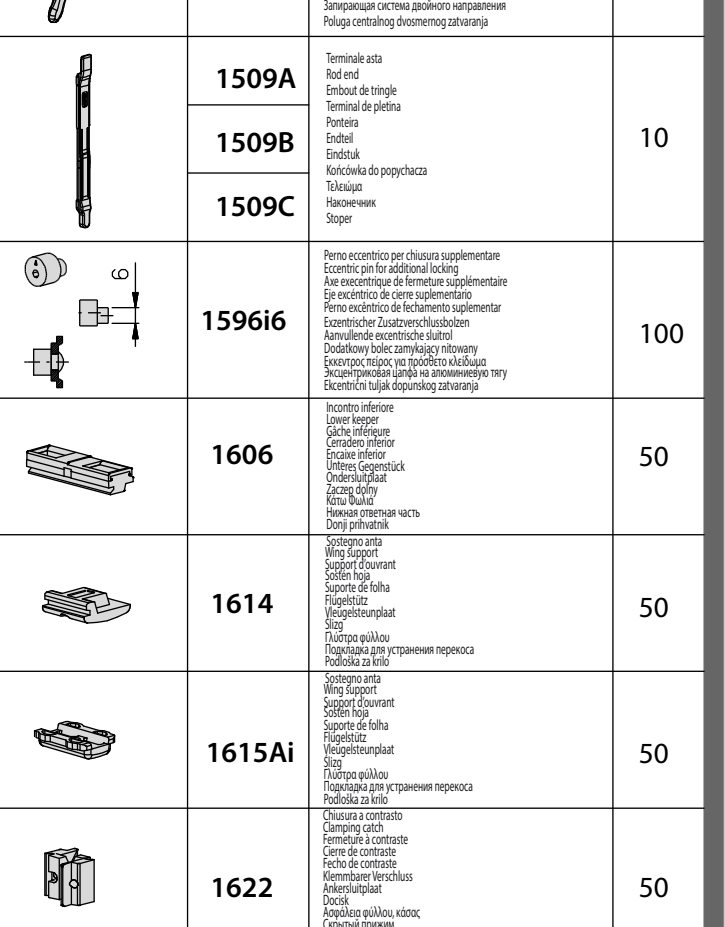


Table with columns for dimensions (L, H) and values for different window types. Includes '1503', '1505', '1506', '1508', '1509A', '1509B', '1509C', '1596i6', '1606', '1614', '1615Ai', '1622', '1626', '4134'.