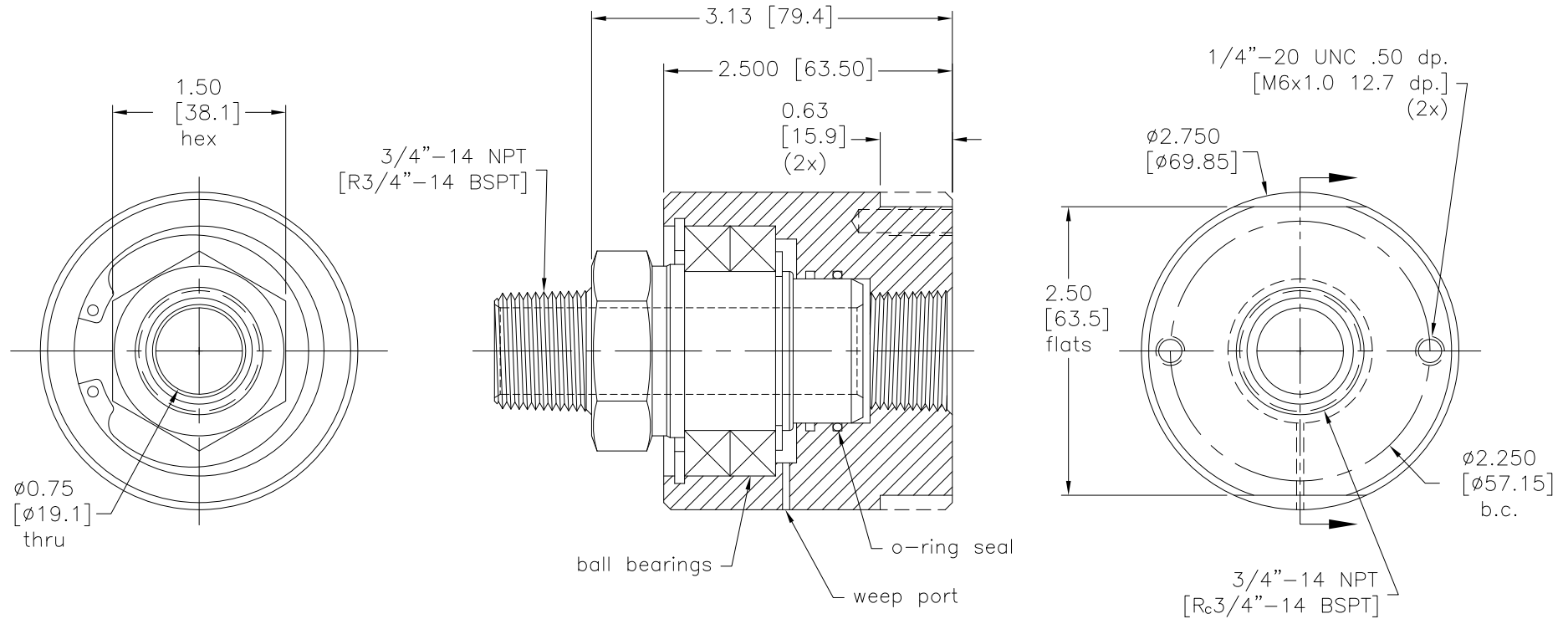


Rev:	Date	By	Chk	Description
A.1	1/20/12	PJE	DJB	Added Sheet 2 of 2 to provide options details.



Notes:

1. Union will be static air tested.
2. Media must be filtered, clean and free of abrasive content or reduced union life will result.
3. Alternate metric units, connections, and threads are available by using SPSM in place of SPS in the series designation prefix.

Drawn	KCP	3/15/11
Checked	RAW	3/17/11
Checked	PJE	3/21/11

TOLERANCE EXCEPT AS NOTED	
X.X	±.125
X.XX	±.015
X.XXX	±.005
ANGLES	± 0.5°



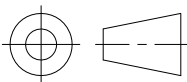
CUSTOMER APPROVAL/DATE:

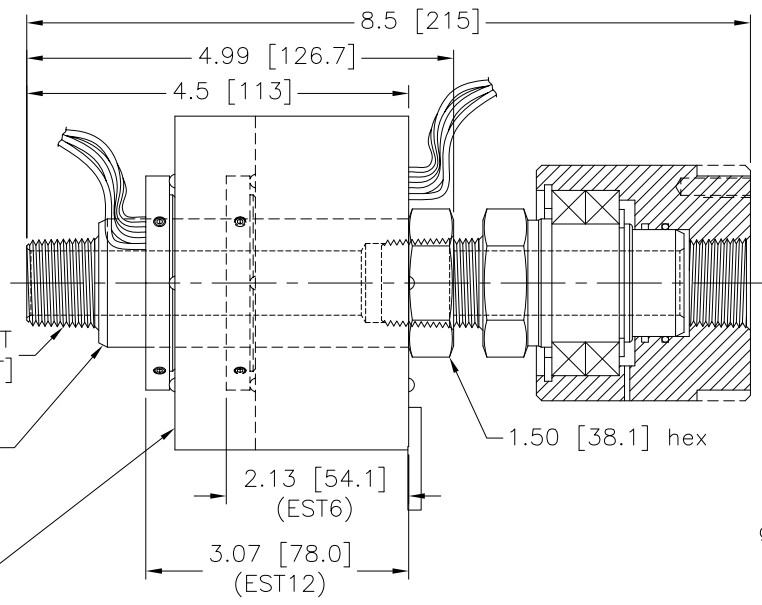
THIS DOCUMENT CONTAINS INFORMATION WHICH IS PROPRIETARY TO DYNAMIC SEALING TECHNOLOGIES, INC. (DSTI) NO REPRODUCTION OR PUBLICATION OF THIS DOCUMENT OR IT'S CONTENTS, IN WHOLE OR PART, SHALL BE MADE WITHOUT THE WRITTEN CONSENT FROM DSTI.

SHAFT MTL/PLTING:	304 SSSL
HOUSING MTL/PLTING:	6061 ALUM BLUE ANODIZE

CUSTOMER:	STOCK
P/N:	SPS(M)-5510
REV:	A.1

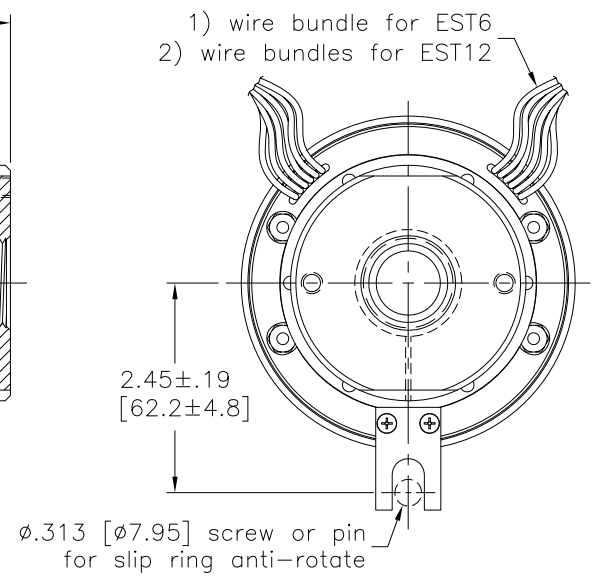
THIRD ANGLE PROJECTION:





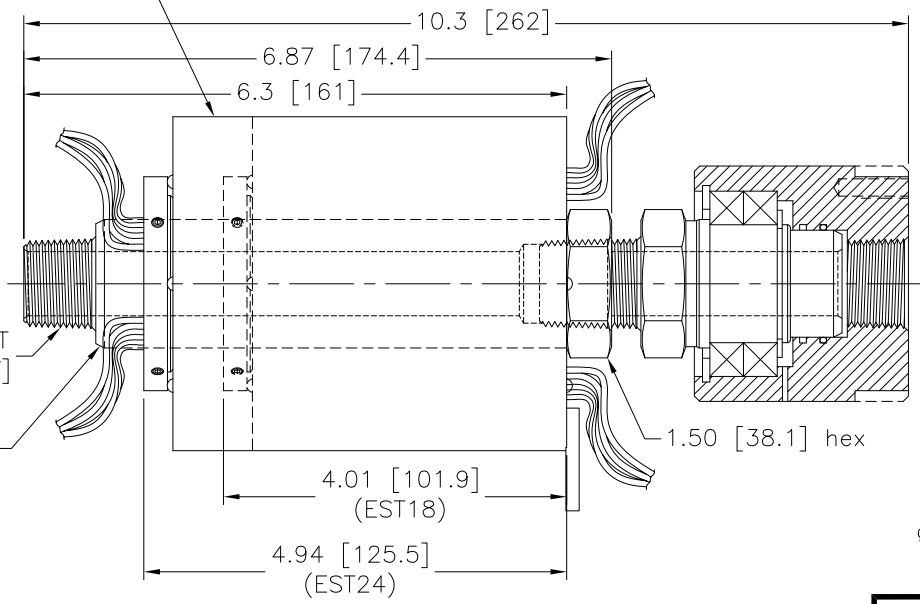
3/4"–14 NPT
[R3/4"–14 BSPT]
short adapter for
EST6 and EST12
slip rings

optional 6, 12, 18, or
24 circuit slip ring,
contact DSTI for details
(p/n –ESTxx)

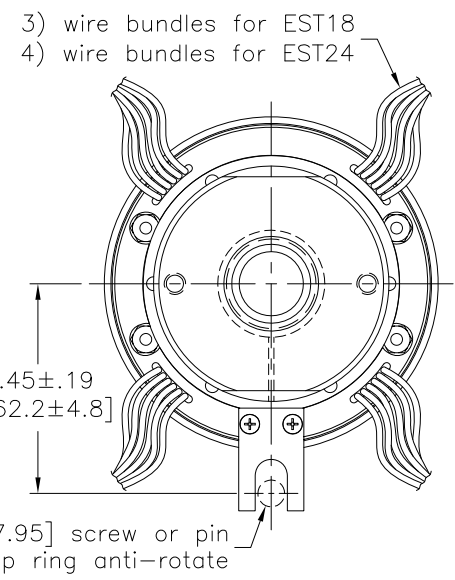


- 1) wire bundle for EST6
- 2) wire bundles for EST12

0.313 [0.795] screw or pin
for slip ring anti-rotate



3/4"–14 NPT
[R3/4"–14 BSPT]
long adapter for
EST18 and EST24
slip rings



- 3) wire bundles for EST18
- 4) wire bundles for EST24

0.313 [0.795] screw or pin
for slip ring anti-rotate

Drawn	PJE	1/20/12
Checked	DJB	1/20/12
Checked	TCB	1/20/12

TOLERANCE
EXCEPT AS NOTED
X.X ±.125
X.XX ±.015
X.XXX ±.005
ANGLES ± 0.5°



CUSTOMER APPROVAL/DATE:

ADAPTER MTL/PLTNG:
6061 ALUM
BLUE ANODIZE

CUSTOMER:
STOCK

THIS DOCUMENT CONTAINS INFORMATION WHICH IS PROPRIETARY TO DYNAMIC SEALING TECHNOLOGIES, INC. (DSTI) NO REPRODUCTION OR PUBLICATION OF THIS DOCUMENT OR IT'S CONTENTS, IN WHOLE OR PART, SHALL BE MADE WITHOUT THE WRITTEN CONSENT FROM DSTI.

P/N:
SPS(M)–5510–SEE NOTES
REV:
A.1