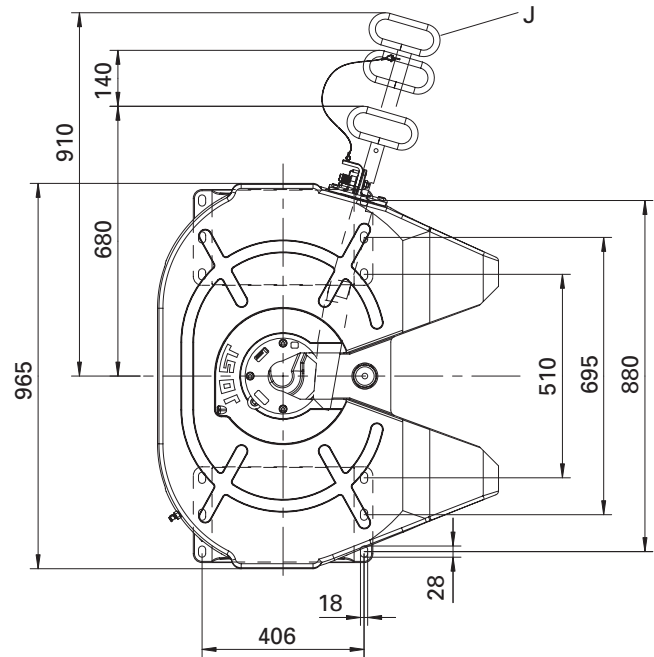
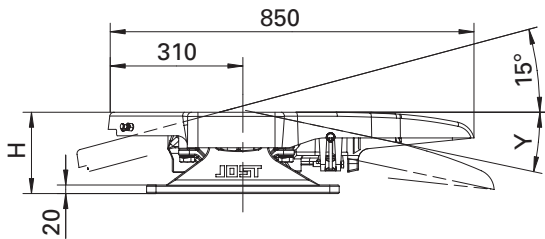


# Heavy duty – Fifth wheel coupling · JSK 38 C1

## Advantages at a glance

- Especially robust heavy duty fifth wheel coupling
- Especially for use on poor road conditions
- Shock-absorbing rubber bearing
- Retrofittable from 2" or 3 1/2" and vice versa



## Selection table / Versions available

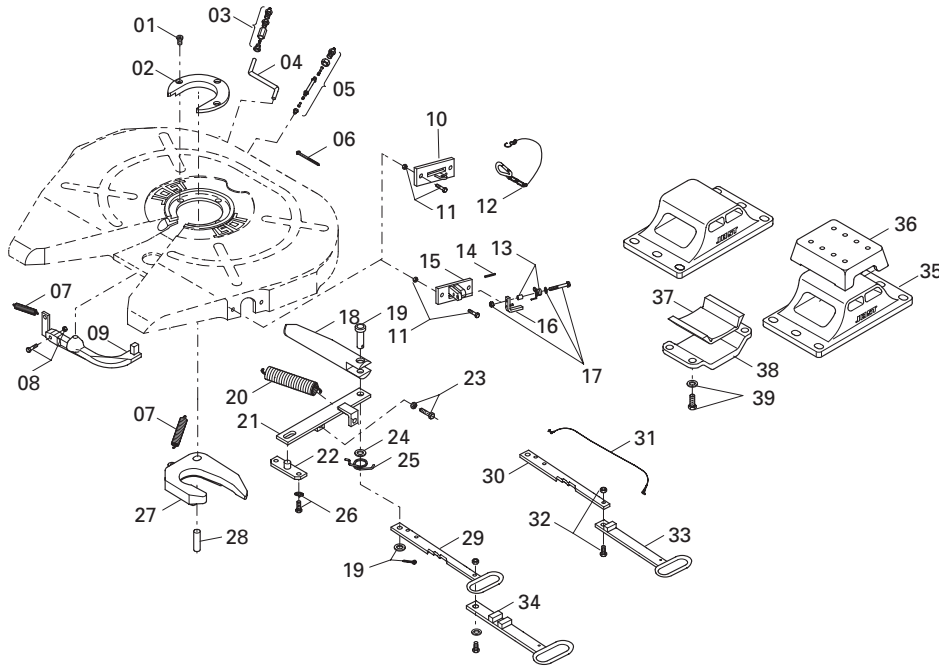
| Order No.           | H (mm) | Y   | D value (kN) | Lock   | Imposed load U (t) | Weight (kg) | Approval (ECE) | WA       | ZL |
|---------------------|--------|-----|--------------|--------|--------------------|-------------|----------------|----------|----|
| JSK 38 C0 21 16 AA* | 160    | 12° | 260          | 3 1/2" | 36                 | 184.0       | E1 55R-01 0471 | M        | K  |
| JSK 38 C0 21 16 DJ* | 160    | 12° | 260          | 3 1/2" | 36                 | 184.0       | E1 55R-01 0471 | Z        | K  |
| JSK 38 C1           | 190    | 12° | 260          | 3 1/2" | 36                 | 190.0       | E1 55R-01 0471 | M        | K  |
| JSK 38 C1 Z         | 190    | 12° | 260          | 3 1/2" | 36                 | 190.0       | E1 55R-01 0471 | Z        | K  |
| JSK 38 C1 J         | 190    | 12° | 260          | 3 1/2" | 36                 | 191.0       | E1 55R-01 0471 | M        | J  |
| JSK 38 C0 40 67 DJ  | 190    | 12° | 260          | 3 1/2" | 36                 | 191.0       | E1 55R-01 0471 | Z        | J  |
| JSK 38 C0 40 BR AA  | 190    | 12° | 260          | 3 1/2" | 36                 | 202.0       | E1 55R-01 0471 | LT5P ST  | J  |
| JSK 38 C0 40 BV BB  | 190    | 12° | 260          | 3 1/2" | 36                 | 202.0       | E1 55R-01 0471 | LT5P MB  | K  |
| JSK 38 C0 40 DP CL  | 190    | 12° | 260          | 3 1/2" | 36                 | 202.0       | E1 55R-01 0471 | LT5P MAN | K  |
| JSK 38 C0 70 16 AA  | 250    | 15° | 260          | 3 1/2" | 36                 | 205.0       | E1 55R-01 0471 | M        | K  |
| JSK 38 C0 70 16 DJ  | 250    | 15° | 260          | 3 1/2" | 36                 | 205.0       | E1 55R-01 0471 | Z        | K  |
| JSK 38 C0 70 67 AA  | 250    | 15° | 260          | 3 1/2" | 36                 | 205.0       | E1 55R-01 0471 | M        | J  |
| JSK 38 C0 70 67 DJ  | 250    | 15° | 260          | 3 1/2" | 36                 | 205.0       | E1 55R-01 0471 | Z        | J  |
| JSK 38 C0 70 BR AA  | 250    | 15° | 260          | 3 1/2" | 36                 | 206.0       | E1 55R-01 0471 | LT5P ST  | J  |
| JSK 38 C0 70 BV BB  | 250    | 15° | 260          | 3 1/2" | 36                 | 206.0       | E1 55R-01 0471 | LT5P MB  | K  |
| JSK 38 C0 70 Q8 AA  | 250    | 15° | 260          | 3 1/2" | 36                 | 206.0       | E1 55R-01 0471 | LT5P MAN | K  |
| JSK 38 C0 21 17 AA* | 160    | 12° | 170          | 2"     | 28                 | 184.0       | E1 55R-01 0472 | M        | K  |
| JSK 38 C0 21 17 DJ* | 160    | 12° | 170          | 2"     | 28                 | 184.0       | E1 55R-01 0472 | Z        | K  |
| JSK 38 C1-2         | 190    | 12° | 170          | 2"     | 28                 | 190.0       | E1 55R-01 0472 | M        | K  |
| JSK 38 C1-2Z        | 190    | 12° | 170          | 2"     | 28                 | 190.0       | E1 55R-01 0472 | Z        | K  |
| JSK 38 C1-2J        | 190    | 12° | 170          | 2"     | 28                 | 191.0       | E1 55R-01 0472 | M        | J  |
| JSK 38 C1-2ZJ       | 190    | 12° | 170          | 2"     | 28                 | 191.0       | E1 55R-01 0472 | Z        | J  |
| JSK 38 C0 40 T8 AA  | 190    | 12° | 170          | 2"     | 28                 | 202.0       | E1 55R-01 0472 | LT5P ST  | K  |
| JSK 38 C0 40 BW BB  | 190    | 12° | 170          | 2"     | 28                 | 202.0       | E1 55R-01 0472 | LT5P MB  | K  |
| JSK 38 C0 40 D0 CL  | 190    | 12° | 170          | 2"     | 28                 | 202.0       | E1 55R-01 0472 | LT5P MAN | K  |
| JSK 38 C0 70 17 AA  | 250    | 15° | 170          | 2"     | 28                 | 205.0       | E1 55R-01 0472 | M        | K  |
| JSK 38 C0 70 17 DJ  | 250    | 15° | 170          | 2"     | 28                 | 205.0       | E1 55R-01 0472 | Z        | K  |
| JSK 38 C0 70 68 AA  | 250    | 15° | 170          | 2"     | 28                 | 205.0       | E1 55R-01 0472 | M        | J  |
| JSK 38 C0 70 68 DJ  | 250    | 15° | 170          | 2"     | 28                 | 205.0       | E1 55R-01 0472 | Z        | J  |
| JSK 38 C0 70 T8 AA  | 250    | 15° | 170          | 2"     | 28                 | 206.0       | E1 55R-01 0472 | LT5P ST  | K  |
| JSK 38 C0 70 BW BB  | 250    | 15° | 170          | 2"     | 28                 | 206.0       | E1 55R-01 0472 | LT5P MB  | K  |

Explanatory notes for the selection tables please refer to page 27.

JSK 38 C is in the mounting height of 160 mm only permissible in combination with mounting plate (mounting unit see JSK 38 MC) and for installation in heavy duty sliders EV HD800-6 (serial no. 2599104 and higher) and EV HD85.

# JSK 38 C1/C1- 2" / ... Z

## Spare parts

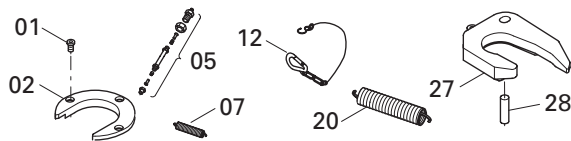


| Item | Description           | Remark                          | Order No.     | per JSK |
|------|-----------------------|---------------------------------|---------------|---------|
| 01   | Socket head bolt      |                                 | SK 2421-08    | 3       |
| 02   | Wearing ring          | 3 1/2", compl. with 01          | SK 2421-56    | 1       |
| 02   | Wearing ring          | 2", compl. with 01              | SK 2421-57    | 1       |
| 02   | Nut and bolt          |                                 | SK 1976       | 1       |
| 04   | Lubrication tube      |                                 | SK 2205-12    | 1       |
| 05   | Lubrication tube      | compl. with 06, for type Z      | SK 2508-02    | 1       |
| 06   | Cable tie             |                                 | SK 3121-13    | 1       |
| 07   | Tension spring        |                                 | SK 2106-01    | 2       |
| 08   | Hexagon bolt          | compl.                          | SK 2421-51    | 1       |
| 09   | Latch                 |                                 | SK 2405-27    | 1       |
| 10   | Guide plate           | to xx60xxxxxx                   | SK 2405-22    | 1       |
| 11   | Hexagon bolt          | compl.                          | SK 2421-50    | 2       |
| 12   | Spring hook           | compl. to xx60xxxxxx            | SK 1436       | 1       |
| 13   | Spring noose          | compl. from xx63xxxxxx          | SK 2921-30    | 1       |
| 14   | Clamping pin          |                                 | NTE 000000400 | 1       |
| 15   | Latch holder          | compl. with 14, from xx63xxxxxx | SK 2405-084   | 1       |
| 16   | Latch                 | compl. from xx63xxxxxx          | SK 3121-52    | 1       |
| 17   | Hexagon bolt          | compl. from xx63xxxxxx          | SK 3521-03    | 1       |
| 18   | Locking bar           |                                 | SK 2405-01    | 1       |
| 19   | Bar bolt              | compl.                          | SK 2121-14    | 1       |
| 20   | Double tension spring |                                 | SK 2405-23    | 1       |
| 21   | Lever                 |                                 | SK 2405-04    | 1       |
| 22   | Bearing               |                                 | SK 2405-15    | 1       |
| 23   | Hexagon bolt          | compl.                          | SK 2421-52    | 1       |

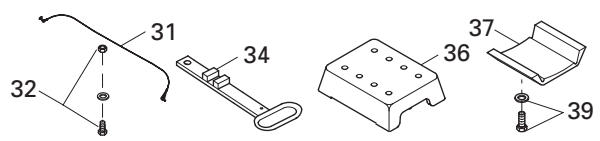
| Item | Description           | Remark                             | Order No.    | per JSK |
|------|-----------------------|------------------------------------|--------------|---------|
| 24   | Washer                |                                    | SK 2405-19   | 1       |
| 25   | Spring noose          |                                    | SK 2405-09   | 1       |
| 26   | Hexagon bolt          | compl.                             | SK 2421-53   | 2       |
| 27   | Lock jaw              | 3 1/2"                             | SK 2405-14   | 1       |
| 27   | Lock jaw              | compl. with 06, 3 1/2" for type Z  | SK 2405-14 Z | 1       |
| 27   | Lock jaw              | 2"                                 | SK 2405-13   | 1       |
| 27   | Lock jaw              | compl. with 06, 2" for type Z      | SK 2405-13 Z | 1       |
| 28   | Bolt                  |                                    | SK 2405-18   | 1       |
| 29   | Handle                | standard version                   | SK 2405-066  | 1       |
| 30   | Locking bar           | f. type J, from xx63xxxxxx         | SK 2405-067  | 1       |
| 31   | Latch cord            | compl. from xx63xxxxxx             | SK 3521-02   | 1       |
| 32   | Hexagon bolt          | compl. for type J, from xx63xxxxxx | SK 2421-50   | 1       |
| 33   | Handle                | f. type J, from xx63xxxxxx         | SK 3105-113  | 1       |
| 35   | Pedestal BH 160       |                                    | SK 2404-05   |         |
| 35   | Pedestal BH 190       |                                    | SK 2404-01   | 2       |
| 35   | Pedestal BH 250       |                                    | SK 2404-04   | 2       |
| 36   | Rubber cushion, upper |                                    | SK 2006      | 2       |
|      | Rubber cushion, upper | with steering wedge                | SK 2006 L    | 2       |
| 37   | Rubber cushion, lower |                                    | SK 2007      | 2       |
| 38   | Bridge                |                                    | SK 2005      | 2       |
| 39   | Hexagon bolt          | compl.                             | SK 2421-55   | 8       |

\* Construction with pedestal 160 mm only permissible in combination with mounting plate MP 0119-113, EV HD800-06 or EV HD85.

## Repair and retrofit kits



| Item                           | Description                             | Order No.    |
|--------------------------------|---|--------------|
| 01, 02, 07, 12, 20, 27, 28     | Repair kit for lock 3 1/2", for type C  | SK 2421-76   |
| 01, 02, 05, 07, 12, 20, 27, 28 | Repair kit for lock 3 1/2", for type CZ | SK 2421-76 Z |
| 01, 02, 07, 12, 20, 27, 28     | Repair kit for lock 2", for type C      | SK 2421-77   |
| 01, 02, 05, 07, 12, 20, 27, 28 | Repair kit for lock 2", for type CZ     | SK 2421-77 Z |
| 36, 37, 39                     | Repair kit for bearing for type C/CZ    | SK 2421-78   |



| Item           | Description   | Order No.    |
|----------------|---|--------------|
| 01, 02, 07, 27 | Conversion kit for lock 3 1/2" in 2", for type C    | SK 2421-98   |
| 01, 02, 07, 27 | Conversion kit for lock 3 1/2" in 2", for type CZ   | SK 2421-98 Z |
| 01, 02, 07, 27 | Conversion kit for lock 2" in 3 1/2", for type C    | SK 2421-99   |
| 01, 02, 07, 27 | Conversion kit for lock 2" in 3 1/2", for type CZ   | SK 2421-99 Z |
| 31, 32, 34     | Retrofit kit handle extension compl., for type C/CZ | SK 3121-063  |

Repair instructions at [www.jost-world.com](http://www.jost-world.com)

Spare parts for LubeTronic 5Point please refer to LubeTronic 5Point.