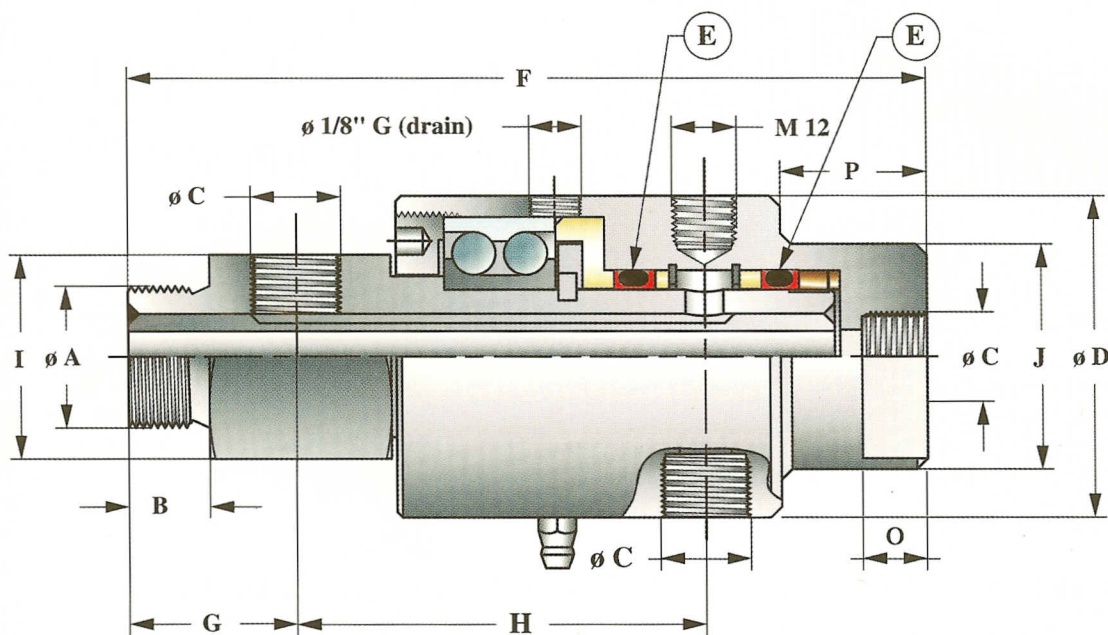


ROTARY UNIONS WITH 2 CONCENTRIC CIRCUITS



TECHNICAL FEATURES

REFERENCE	1600 K - 1600 C - 1600 KC
DIMENSIONS	1/4" to 1"
MATERIAL	1600 K : nickel plated steel 1600 C or 1600 KC : ceramic shaft
THREAD	Male and female connections right-hand - BSPP thread
PRESSURE	200 bar Maximum
TEMPERATURE	120° C Maximum
ROTATION	0 to 1500 r.p.m. depending on the diameter and pressure
APPLICATION	Supply of rotating shafts with 1 or 2 fluids, double effect jack command, etc.
OBSERVATIONS	Ball bearing and Teflon seal for easy rotation. Full bore
CONNECTION	With hoses
USE	Oil, air, water, gas, etc...



Ø DN	2 x Ø 4	2 x Ø 9,5	2 x Ø 16	2 x Ø 16	2 x Ø 25	
Ref.	1619 1/4" K / C	1683 3/8" K / C	1644 1/2" K / C	1644 3/4" K / C	1760 1" K / C	
Dimensions	Ø A	1/2"	3/4"	1"	1" 1/2	
	B	13	15	20	20	20
	Ø C	1/4"	3/8"	1/2"*	3/4"	1"
	Ø D	50	60	80	80	90
	E	GR15V	GR25V	GR35V	GR35V	GR50V
	F	103	143	200	181	250
	G	24	31	40	40	52
	H	48	72	97	97	127
	I	Ø 27	Ø 38	Ø 54	Ø 54	Ø 90
	J. Ø/Pts	30/24	42/38	50/45	50/45	60/50
O	10	12	15	15	15	
P	12,5	27	25	25	18	

* with reduction

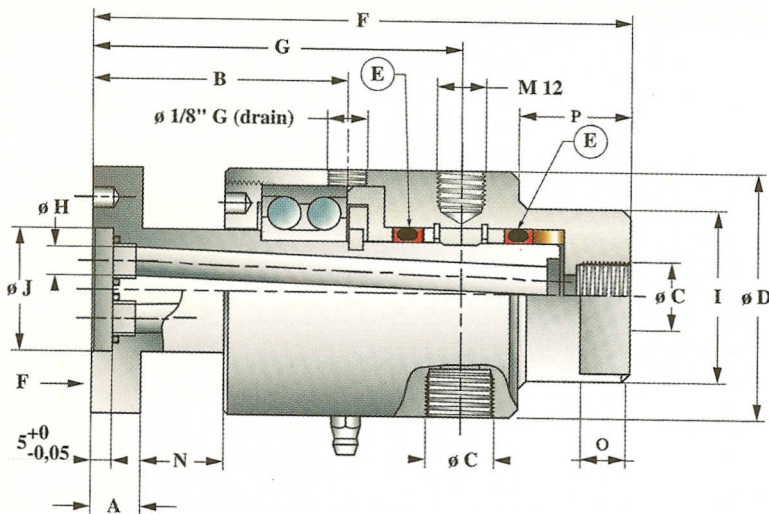
ROTARY UNIONS WITH 2 ROTATING CIRCUITS FLANGES

TECHNICAL FEATURES

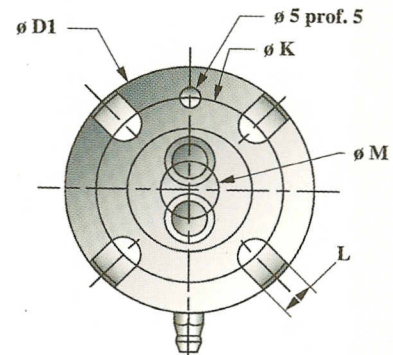
REFERENCE	1600 B K - 1600 B C - 1600 B K C
DIMENSIONS	1/4" to 1"
MATERIAL	1600 B K : nickel plated steel 1600 B C or 1600 B K C: ceramic shaft
THREAD	Female connections - right-hand - BSPP thread connection with flange
PRESSURE	200 bar Maximum
TEMPERATURE	120° C Maximum
ROTATION	0 to 1500 r.p.m. depending on the diameter and pressure
APPLICATION	Supply of rotating shafts with 1 or 2 fluids, double effect jack command, etc...
OBSERVATIONS	Ball bearing and Teflon seal for easy rotation. Full bore.
CONNECTION	With hoses
USE	Oil, air, water, gas, etc...



**REFERENCE
1600 B**



F View



Ø DN	2 x Ø 3,2	2 x Ø 7	2 x Ø 12	2 x Ø 12	2 x Ø 18
Ref.	1619 B K / C	1683 B K / C	1644 B1/2" K / C	1644 B K / C	1760 B K / C
A	12	12	12	12	15
B	44	61,5	67	67	96,5
C	1/4"	3/8"	1/2"*	3/4"	1"
D / D1	50	60	80	80	90 / 99
E	GR15V	GR25V	GR35V	GR35V	GR50V
F	97,5	130	165	145	210
G	64,5	89	98	98	140
H	3,2	7	12	12	18
Ø I / Pts	30/24	42/38	50/45	50/45	60/50
J H7	20	30	45	45	60
K	35	45	65	65	80
L	8,5	8,5	8,5	8,5	10,5
M	10	14	21	21	29
N	15	20	20	20	30
O	10	12	15	15	15
P	12,5	27	25	25	18

Stainless steel models are available on request

1600 and 1600 B series have a different design depending on the models.
The above drawings show the 1683 and 1683B models.

* with reduction