



**Usages:**

The pumps are suitable to transfer liquids containing impurities measuring up to 2-3 mm. The hydraulic components, namely the impeller, scroll and pump body in PBT allow the pumps to be used with water, emulsions and oily substances in general with a maximum viscosity of 3 Engler (21 CST). The temperature of the liquid must not exceed 70 °C.

**They are usually used on:**

- Machine tools** (milling machines – lathes - drills)
- Glass processing machines** (TRI version)
- Printing machines** (axis in AISI 420  
– PBT on depth of immersion 270 mm.)

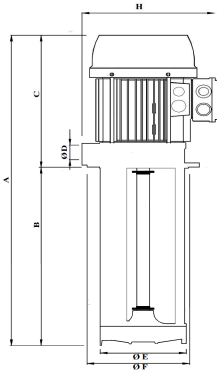
**Air-conditioning systems**

**Filtration systems**

They should usually be installed on a tank, with a capacity in proportion to the flow rate, at about 3 – 4 cm. from the bottom. It is important to check that the maximum level of the liquid in the tank always remains 3– 4 cm. lower than the flange (see figure).

In cases where the liquid is particularly dirty, the user is recommended to construct the tank in compartments to allow the dirt to deposit before it is stirred up by the pump.

**For other usages you are advised to consult our technical office.**



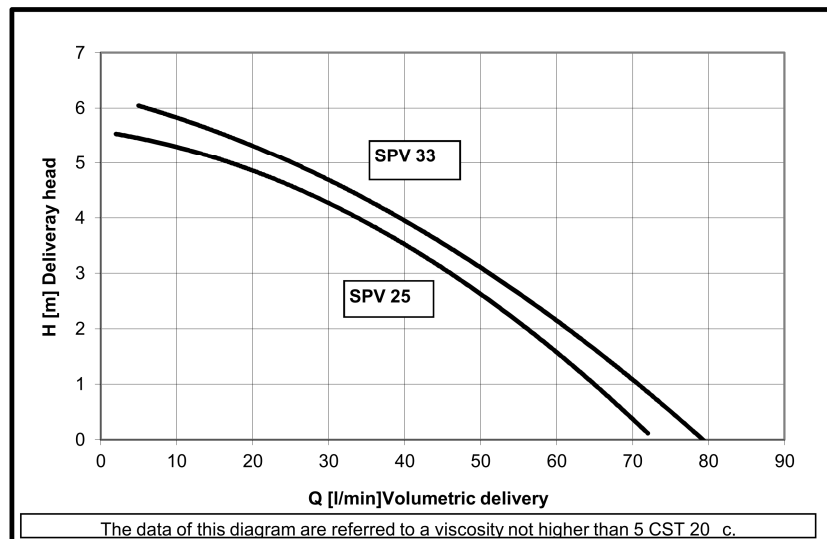
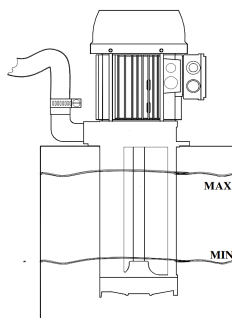
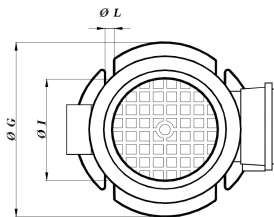
**Table of dimensions and weights**

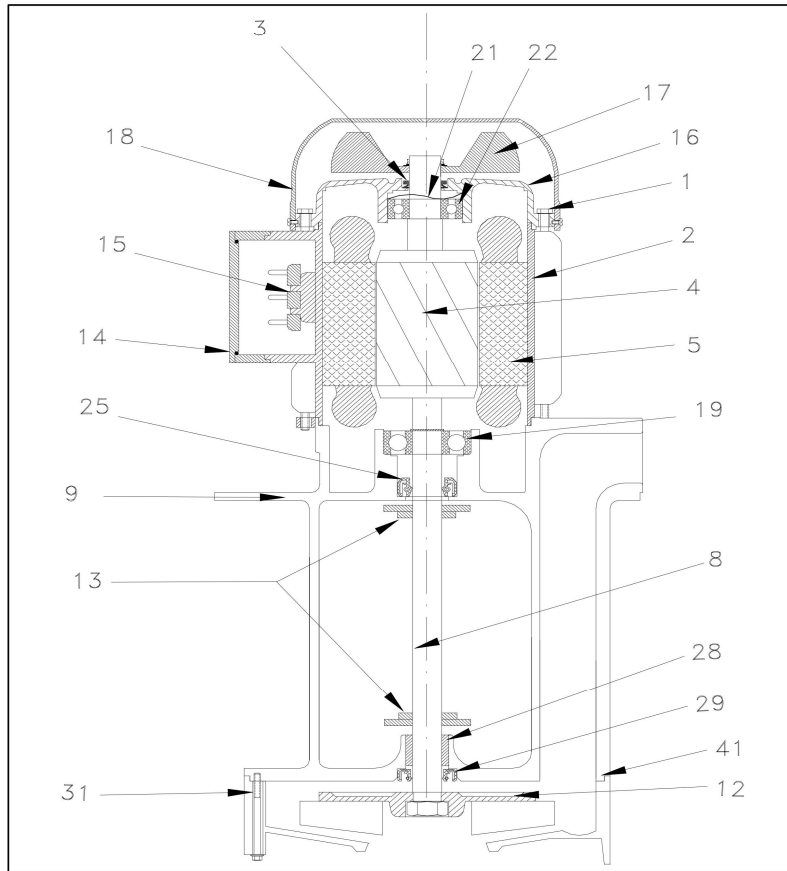
TYPE	A mm	B mm	C mm	ØD	ØE mm	ØF mm	ØG mm	H mm	ØI mm	ØI mm	Kg.
SPV 25	300	90 T	210	3/4"	98	100	130	170	115	7 N. 4	4,34
	330	120 T									4,40
	380	170 T									4,50
	430	220 T									4,60
	480	270 T									4,70
	560	350									4,85
SPV 33	300	90 T	210	3/4"	98	100	130	170	115	7 N. 4	4,84
	330	120 T									4,90
	380	170 T									5,00
	430	220 T									5,10
	480	270 T									5,20
	560	350									5,35

On request: T = execution TRI

**Electrical features**

TYPE	KW. Input	Hz. 50		Hz. 60			
		230/400	254-290/440-500	230/400	208-230/440-460	254-277/440-480	318-346/550-600
SPV 25	0,30	1,0/0,58	0,76/0,44	1,2/0,7	1,1/0,6	1,0/0,58	0,8/0,45
SPV 33	0,40	1,6/0,9	1,2/0,7	1,9/1,1	1,73/1,0	1,6/0,9	1,2/0,7





**Type SPV 25**

**Type SPV 33**

	<b>Components</b>	<b>Materials</b>
1	Rod	Steel
2	Frame	Aluminium
3	V-Ring Ø 16	NBR
4	Rotor	
5	Stator	
8	Shaft	Steel C 40**
9	Pump body	Valox PBT
12	Impeller	Valox PBT
13	Rubber washer	Valox PBT
14	Terminal box	Nylon
15	Terminal block	mm. 40x25 6P
16	Non-drive end shield	Aluminium
17	Fan	Nylon
18	Fan cover	Nylon***
19	Bearing	6003 ZZ
21	Spring ring	ø 35
22	Bearing	6202 ZZ
25	Sealing ring	NBR 17X25X4
28	Bronze bearing	19X17X15
29	Sealing ring	NBR 17X25X4
31	House impeller	Valox PBT
41	OR 82,27X1,78	NBR

	<b>Components</b>	<b>Materials</b>
1	Rod	Steel
2	Frame	Aluminium
3	V-Ring Ø 16	NBR
4	Rotor	
5	Stator	
8	Shaft	Steel C 40**
9	Pump body	Valox PBT
12	Impeller	Valox PBT
13	Rubber washer	Valox PBT
14	Terminal box	Nylon
15	Terminal block	mm. 40x25 6P
16	Non-drive end shield	Aluminium
17	Fan	Nylon
18	Fan cover	Nylon***
19	Bearing	6003 ZZ
21	Spring ring	ø 35
22	Bearing	6202 ZZ
25	Sealing ring	NBR 17X25X4
28	Bronze bearing	19X17X15
29	Sealing ring	NBR 17X25X4
31	House impeller	Valox PBT
41	OR 82,27X1,78	NBR

**Details 28-29 only on length mm. 350**

**Details 28-29 only on length mm. 350**

**On request**

**On request**

**	Aisi 420
***	Sheet

**	Aisi 420
***	Sheet