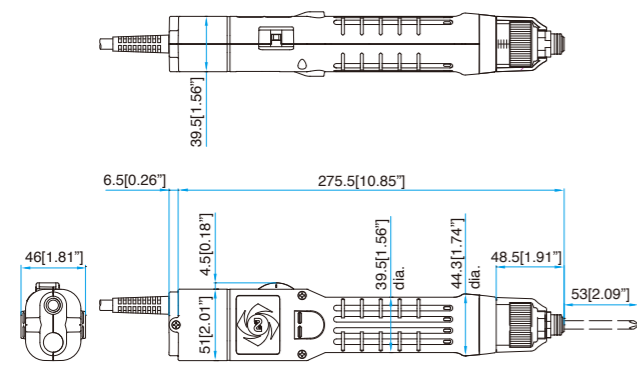
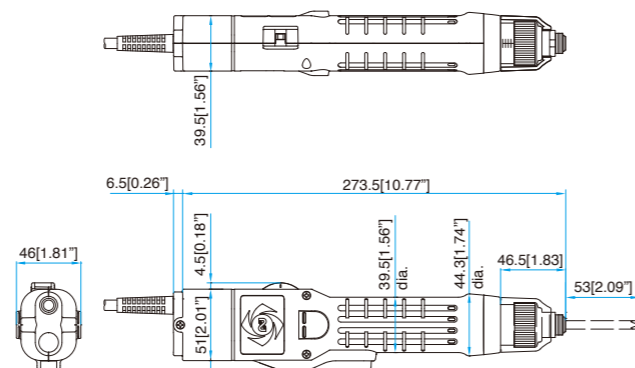


External Dimensions

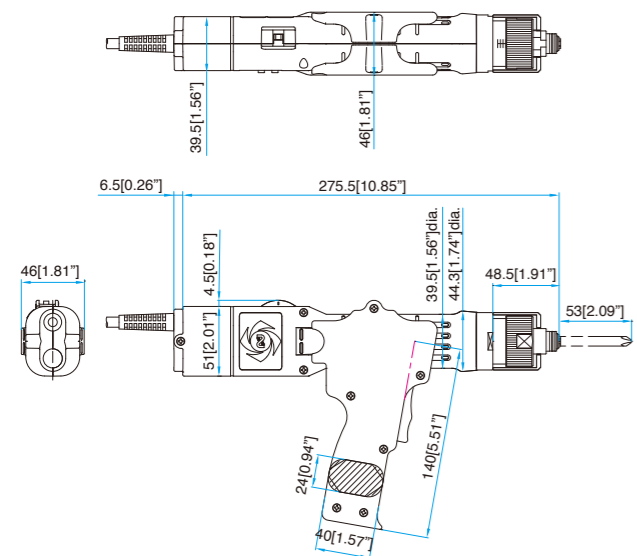
DLV30A□P-AS



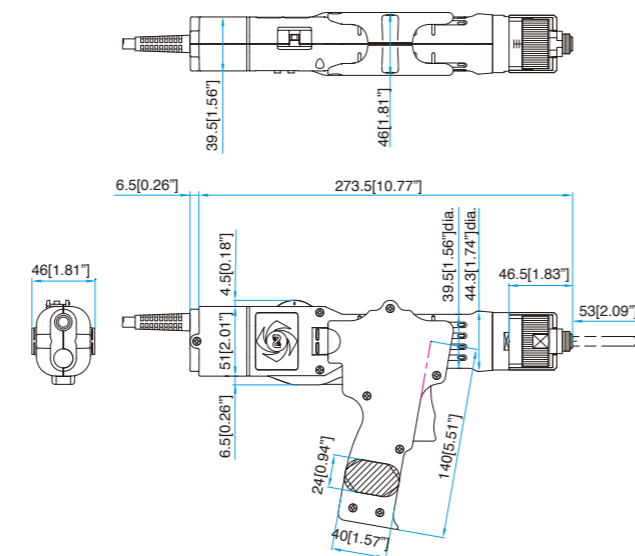
DLV30A□L-AS



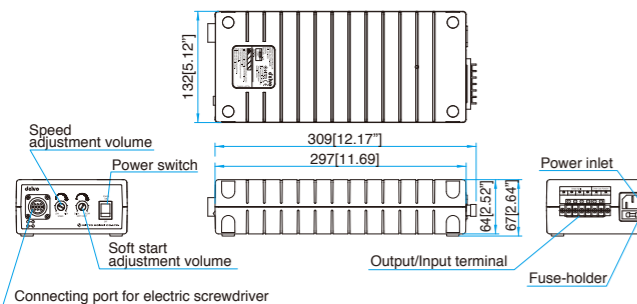
DLV45A□P/DLV70A06P-AS



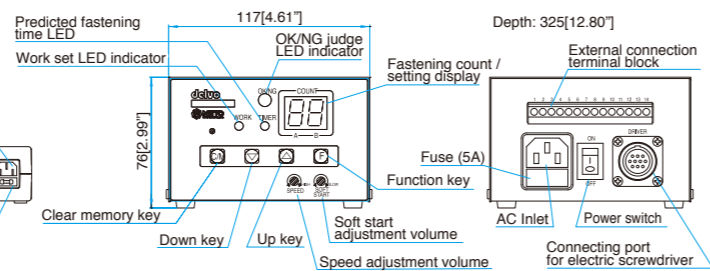
DLV45A□L/DLV70A06L-AS



DLC70S-WGB



DLR70S-WGB



unit:mm[inch]

NITTO KOHKI CO., LTD.

Head Office
 9-4, Nakaikegami 2-chome, Ohta-ku, Tokyo 146-8555, Japan
 Tel : +81-3-3755-1111 Fax : +81-3-3753-8791
 E-mail : overseas@nitto-kohki.co.jp


 Web www.nitto-kohki.co.jp/e

DISTRIBUTED BY

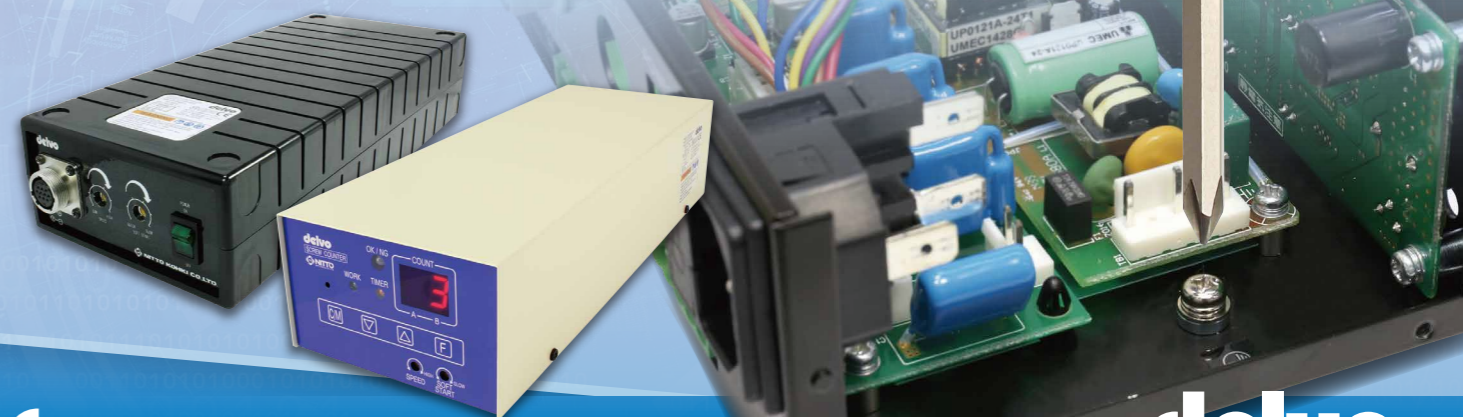
delvo Brushless Type A Series

Model DLV30A/45A/70A-AS
(Low Voltage Type)

Long-life 40 V DC brushless motors are incorporated into electric screwdrivers.



- Wide torque range from 0.4 to 7.0 Nm with free speed 650, 1200 or 2000 min⁻¹ (speed adjustable)
- The dedicated controller or counter can be selected according to the application

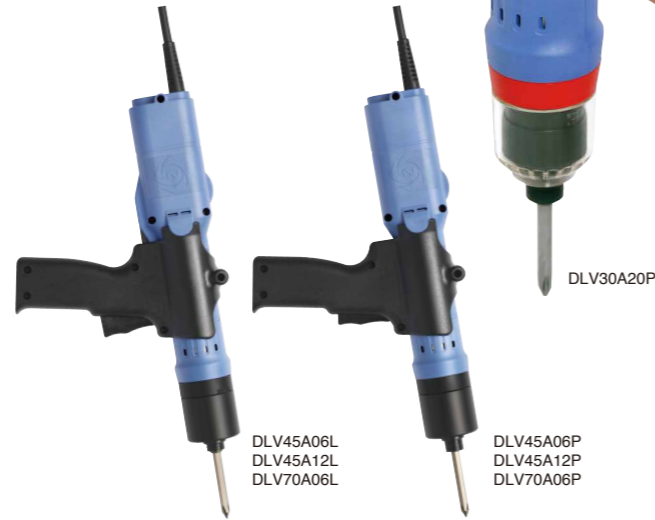




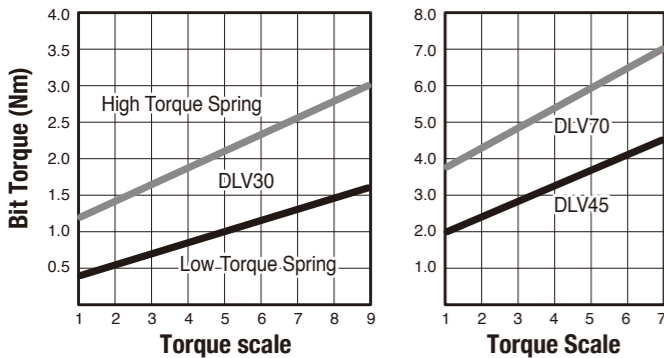
Brushless Type A Series (Low Voltage Type)

Model **DLV30A/45A/70A-AS**

- Incorporates long-life 40 V DC Brushless Motors.
- Three series of screwdrivers: DLV30A/45A/70A-AS can be operated by one standard controller or counter.
- The dedicated controller or counter can be selected according to the application.
- Wide torque range from 0.4 to 7.0 Nm.
- Maximum free speeds of 650, 1200 or 2000 min⁻¹.
- Robust and high durability realized by new body design using high strength plastic.



Torque Diagram (for reference)



Specifications

Model	Bit	30A Series			45A Series (High torque)		70A Series (High torque)
		Low Speed	Medium Speed	High Speed	Low Speed	Medium Speed	Low Speed
	Lever Start	DLV30A06L-AS · K	DLV30A12L-AS · K	DLV30A20L-AS · K	DLV45A06L-AS · K	DLV45A12L-AS · K	DLV70A06L-AS · K
	Push to Start	DLV30A06P-AS · K	DLV30A12P-AS · K	DLV30A20P-AS · K	DLV45A06P-AS · K	DLV45A12P-AS · K	DLV70A06P-AS · K
Input Voltage		40 V DC					
Torque (Nm [lbf-in])	Low Torque Spring (Standard Accessory)	0.4 to 1.6 [3.5 to 14.2]			2.0 to 4.5 [17.7 to 39.8]		3.8 to 7.0 [33.6 to 62.0]
	High Torque Spring (Built-in)	1.2 to 3.0 [10.6 to 26.6]					
*Adjustable Speed Range (min ⁻¹)		390 to 650	720 to 1200	1200 to 2000	390 to 650	720 to 1200	390 to 650
*Adjustable Soft Start Time (sec)		0 to 2					
*Free Speed at Soft Start (min ⁻¹)		260	480	800	260	480	260
Screw Size (mm)	Machine Screw	2.6 to 5.0			4.5 to 6.0		5.0 to 8.0
	Tapping Screw	2.5 to 4.0			4.0 to 5.0		4.5 to 6.0
Mass (g [lbs])		720 [1.59]			870 [1.92] (with Pistol Grip)		
Bit Type (mm)							
Standard Accessories		<ul style="list-style-type: none"> • Bit No.2 × 7 × 75 • Suspension Bail • Low Torque Spring 			<ul style="list-style-type: none"> • Bit No.2 × 7 × 75 • Suspension Bail • Pistol Grip(DLW2300) 		

*Values are obtainable in combination with control unit DLR70S-WGB or DLC70S-WGB.

Optional Accessories

Torque Adjustment Ring Cover	Pistol Grip	Vacuum Pickup	Torque Reaction Arm
<p>DLW5201 (30A series)</p>	<p>DLW5202 (45A/70A series)</p>	<p>DLW2300(Non-ESD) (45A/70A series)</p>	<p>DLP7401-K (DLS4220/DLS4221 attached)</p>

Controller

Model **DLC70S-WGB**

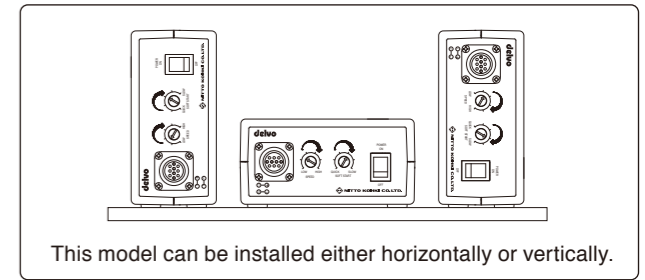


- "Soft Start" function: The slow startup prevents screw heads from possible damage caused by the disengaged bit.
- "Stepless Speed Adjustment" function widens the speed range from 390 to 2000 min⁻¹ for various applications.
- The controller outputs: Start, torque-up and reverse signal via a dry contact method. These signals can be used for counting up fastened screws and preventing screw fastening errors.
- "Driver Lock" function: Applying 24 V DC to the designated terminals on the controller brings the screwdriver to an immediate stop in emergency cases.

Specifications

Model	DLC70S-WGB
Features	With speed control and soft start function
Input Voltage	100 - 240 V AC, 50/60 Hz
Output Voltage	40 V DC
Signal Output(contact point type)	Start, Torque up, Reverse (Dry contact)
Signal Input	Drive Stop Function (24 V DC Input Voltage needed)
Mass (g [lbs])	1800 [3.97]
Size W × L × H (mm [inch])	132 × 297 × 67 [5.20" × 11.70" × 2.64"]
Bit Grounding	Ready (With a 1M Ω resistor)
Plug shape	Europe
Standard Accessories	Power cord (2 m): 1 Rubber feet: 4 Fuse (5 A): 1

Installation



Screw Fastening Counter

Model **DLR70S-WGB**



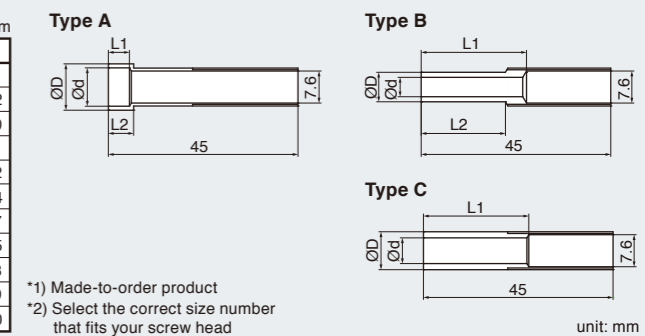
- Equipped with "Stepless Speed Adjustment" function and "Soft Start" function.
- "Count Correction" function does not count fastening errors such as elevated screws or double fastening.
- "Count Back (Count Return)" function: When a screw is loosened, a reverse signal output from the electric screwdriver reverses the count by one.
- Up to four different screw fastening settings can be saved in the internal memory for a wide variety of assembly work.
- "Link Connection" function: Up to 10 screwdriver/controller sets can be connected in series.

Specifications

Model	DLR70S-WGB
Input Voltage	100 - 240 V AC, 50/60Hz
Output Voltage	40 V DC
Speed Control Function	60 to 100 %
Soft Start Function	0 to 2 sec.
Count	0 to 99
Allowable Number of Screw Fastening Programs	4
Counting Method	Count-up / Count-down
Count Correction Function	Count normal fastening only
Self Adjustable Timer Setting	0.01 to 0.99 sec.
OK Output Timer Setting	0 to 9.5 sec.
Count Back Function	ON / OFF
OK / NG Buzzer	ON / OFF
Input Signal	WORK / RESET / LINK-IN / CH1 / CH2 / TORQUE CHECK
Output Signal	OK / NG / LINK-OUT / TORQUE UP
Mass (g [lbs])	2100 [4.63]
Size W × L × H (mm [inch])	117 × 325 × 76 [4.61" × 12.80" × 2.99"]
Bit Grounding	Ready (With a 1M Ω resistor)
Plug shape	Europe
Standard Accessories	Power cord (2 m): 1 Fuse (5 A): 1

Vacuum Sleeve DLS4000 series

Model	Od	OD	L1	L2	Length	Applicable Bit *2	Shape (Type)	Part No.
DLS4220	9.1	11	5	6	45	No.2x7x75	A	TD08001
DLS4221	10.6	12.5	5.5	7		No.2x7x75	A	TD08002
DLS4222 *1	8	11	5.3	22		—	A	TD07850
DLS4223 *1	8.2	10	5	6		No.2x7x75	A	TD07851
DLS4224 *1	6.8	9	25	—		—	C	TD07852
DLS4225	4.6	7	25	20		No.1x4x75	B	TD09344
DLS4226	5.1	7	25	20		No.1x4x75	B	TD09617
DLS4227	5.6	7	25	20		No.2x4x75	B	TD09345
DLS4228	6.1	9	25	—		No.2x4x75	C	TD09618
DLS4229	6.4	9	25	—		No.2x4x75	C	TD09619
DLS4230	7.1	9	25	—		No.2x4x75	C	TD09620



*1) Made-to-order product
*2) Select the correct size number that fits your screw head