

12.2036.0323

pce

from 0.87 0.00



D H G 2 *шпект. force* *spring rate*  
40 25.0 M10 25.0 1000 3.60 280.00  
*Shipping free*

**Graduated prices**

Quantity	Price per 1 pce in EUR
< 10 pce	1.30
≥ 10 pce	1.12
≥ 50 pce	1.05
≥ 100 pce	0.93
≥ 500 pce	0.87
Larger quantities on request	

**Material elastomer part:** NR, black

**Material connecting piece:** S235JR zinc-plated, chromated (CR VI free)

**Execution:** DIN 95364, Type A medium

**Hardness:** approx. 55 Shore A

**On request:** soft hardness, approx. 40 Shore A: spring constant: x 0.5; compressive force: x 0.68 hard hardness, approx. 70 Shore A: spring constant: x 2.0; compressive force: x 1.4

**Note:** these stop buffers are also available in hardnesses approx. 40 Shore A (soft) and approx. 70 Shore A (hard).

**Tolerance:** DIN 2768-c; DIN ISO 3302-1 M3; DIN ISO 4759-1 Class A

**Working temperature:** from -30 to 80 °C

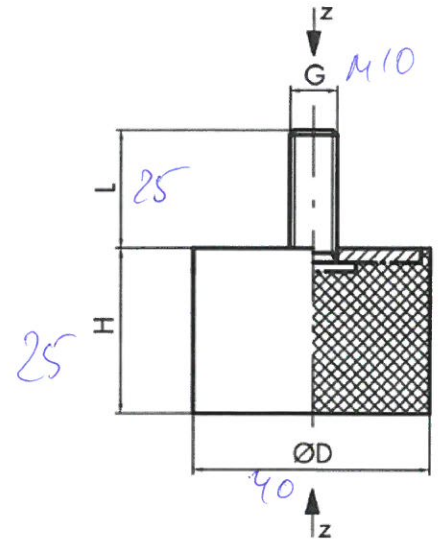
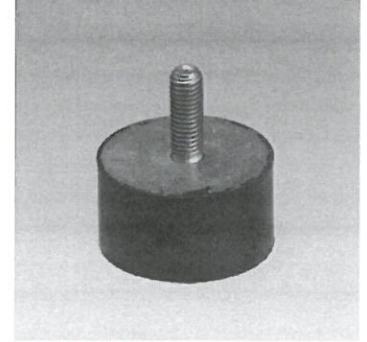
**EU guidelines:** 2002/95/EC (RoHS)

**Form:** DIN 95 364, type A

**Application:** Stop buffers are suitable for all types of end stops and for vibration-insulating mounting of small to [Enlarge image](#) midsize equipment units.

**Note to hardness:**

**Attention:** Stop buffers may only be subjected to pressure loads.



[Enlarge image](#)

*аттн вездра улокет  
буфер*

[Back](#)