

The 200RB is a pilot-operated, 2-way, normally closed valve. 200RB valves are used for liquid, discharge, or suction gas refrigerant service.

### Features

- All coils fit all solenoid valves
- Extended ends for easy installation (standard)
- Long-life molded coils
- PTFE O-ring for superior external sealing

### Options

- Available in 7 port sizes
- Manual stem or mounting stud
- Bi-Flow operation-conversion either factory assembled or with kit KS-30377 (except 200RB 7 & 9)



### Specifications

- Maximum fluid temperature: 250°F
- Maximum working pressure: 680 psig
- Minimum operating pressure drop: 2 psi
- MOPD: 300 psig
- UL/CUL file number: MP604

NOTE: Mounting enclosing tube more than 90° off vertical up position is not recommended.

NOTE: MOPD based on AC application. Consult application engineer for DC application.

### Nomenclature example: 200RB 4T3M VLC

200RB	4	T	3	M	BF	VLC
Series	Port Size	Connection Type	Connection Size	(Optional)	(Optional)	Coil*
	(In 1/16")	F = SAE S = Short Solder T = Copper Extended Ends	(In 1/8")	T = Mounting Stud M = Manual Opening Stem	BF = Bi-Flow	VLC = Valve Less Coil

\* Valves are shipped without the solenoid coils (VLC = Valve Less Coil). See coil assemblies for availability.

### Ordering Information and Nominal\* Liquid Capacity Table – Tons (kW)

Model	Connection Size	PCN			R-22	R-134a	R-290	R-407C	R-410A	R-404A/ R-507	R-448A/ R-449A	R-450A/ R-512A	R-744
		Standard Valve	Mounting Stud <sup>1</sup>	Manual Stem <sup>2</sup>									
200RB 2FS	1/4 SAE	053104	-	-									
200RB 2F3	3/8 SAE	062611	-	-	3.6	2.7	3.8	3.4	3.4	2.3	3.6	2.5	8.16
200RB 2T2	1/4 ODF	053105	053236	-	(12.7)	(9.6)	(13.4)	(11.9)	(11.9)	(8.2)	(12.7)	(8.7)	(28.7)
200RB 2T3	3/8 ODF	053106	054170	-									
200RB 3F3	3/8 SAE	052726	056438	-									
200RB 3F4	1/2 SAE	052727	055855	-									
200RB 3T2	1/4 ODF	049608	-	-	4.8	3.6	5.0	4.5	4.5	3.1	4.8	3.3	10.86
200RB 3T3	3/8 ODF	049609	049585	065620	(16.9)	(12.7)	(17.6)	(15.9)	(15.8)	(10.9)	(17.0)	(11.6)	(38.2)
200RB 3T4	1/2 ODF	049692	-	065621									
200RB 4F3	3/8 SAE	047506	047508	047507									
200RB 4S3	3/8 ODF X 1/2 ODM	047511	047513	047512									
200RB 4S4	1/2 ODF X 5/8 ODM	047516	047515	047514	8.0	6.0	8.3	7.5	7.5	5.1	8.0	5.5	18.01
200RB 4T3	3/8 ODF	047517	049162	049186	(28.0)	(21.1)	(29.2)	(26.3)	(26.4)	(18.0)	(28.1)	(19.3)	(63.3)
200RB 4T4	1/2 ODF	047518	049163	049187									
200RB 4T5	5/8 ODF	058950	058045	056518									
200RB 5F4	1/2 SAE	047519	047521	047520									
200RB 5F5	5/8 SAE	059729	047523	047522									
200RB 5S4	1/2 ODF X 5/8 ODM	047524	047526	047525	8.2	6.2	8.6	7.7	7.7	5.3	8.3	5.7	18.62
200RB 5S5	5/8 ODF	049201	047528	047527	(28.9)	(21.8)	(30.1)	(27.2)	(26.4)	(18.6)	(29.0)	(19.9)	(65.5)
200RB 5T3	3/8 ODF	061227	054323	-									
200RB 5T4	1/2 ODF	057206	049164	049188									
200RB 5T5	5/8 ODF	059730	049165	049189									
200RB 6F4	1/2 SAE	059731	047531	047530									
200RB 6F5	5/8 SAE	059732	047534	047533									
200RB 6S4	1/2 ODF X 5/8 ODM	047537	047539	047538	9.5	7.2	9.9	8.9	8.9	6.1	9.5	6.5	21.49
200RB 6S5	5/8 ODF	047540	047542	047541	(33.3)	(25.2)	(34.7)	(31.4)	(31.3)	(21.5)	(33.5)	(23.0)	(75.6)
200RB 6T4	1/2 ODF	047544	047546	047545									
200RB 6T5	5/8 ODF	056766	047548	047547									
200RB 7S5	5/8 ODF X 7/8 ODM	064037	-	-									
200RB 7T4	1/2 ODF	064062	-	-	17.0	12.7	-	16.2	15.7	11.1	17.1	11.7	37.62
200RB 7T5	5/8 ODF	064063	064562	064267	(59.8)	(44.6)		(57.0)	(55.2)	(39.0)	(60.0)	(41.2)	(132.3)
200RB 7T7	7/8 ODF	064282	064284	064283									
200RB 9T5	5/8 ODF	064762	064764	064763									
200RB 9T7	7/8 ODF	064645	064766	064765	29.5	22.5	-	28.0	27.7	18.3	29.6	20.3	67.66
200RB 9T9	1 1/8 ODF	064767	064769	064768	(103.8)	(79.1)		(98.3)	(97.6)	(64.2)	(104.2)	(71.5)	(238.0)

<sup>1</sup> Add "T" to the end of description for Mounting Stud

<sup>2</sup> Add "M" to the end of the description for Manual Stem

Capacities based on 100°F liquid and 40°F saturated evaporator per ARI standard 760-87.

All ratings are based on largest connection size.

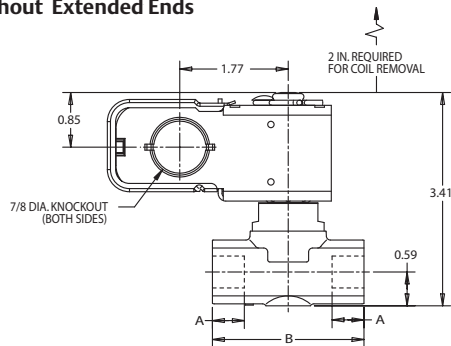
\*See Extended Capacity Tables for ratings at a wide range of conditions.

## Ordering Information and Nominal Reverse Flow Liquid Capacity Table for Bi-Flow Solenoids \*

Model	Connection Size	PCN	R-22	R-134A	R-290	R-407C	R-410A	R-404A/R-507	R-448A/R-449A	R-450A/R-513A
200RB 2T3BFVLC	3/8 ODF	009688	4.1 (14.4)	3.3 (11.6)	3.8 (13.4)	3.9 (13.7)	3.4 (12.0)	2.7 (9.5)	4.2 (14.8)	3.1 (10.9)
200RB 4T3BFVLC	3/8 ODF	009690	9.2 (32.3)	7.4 (25.9)	5.8 (20.6)	8.6 (30.4)	5.3 (18.5)	5.9 (20.8)	9.2 (32.4)	6.7 (23.6)
200RB 5T4BFVLC	1/2 ODF	009692	9.5 (33.4)	7.6 (26.7)	8.6 (30.1)	8.9 (31.4)	7.7 (27.1)	6.1 (21.5)	9.5 (33.5)	6.9 (24.4)
200RB 5T5BFVLC	5/8 ODF	009693								
200RB 6T5BFVLC	5/8 ODF	009694	11.0 (38.5)	8.8 (30.8)	9.9 (34.7)	10.3 (36.2)	8.89 (31.3)	7.1 (24.8)	11.0 (38.7)	8.0 (28.2)

### 200RB2-6 Dimensional Data (in.)

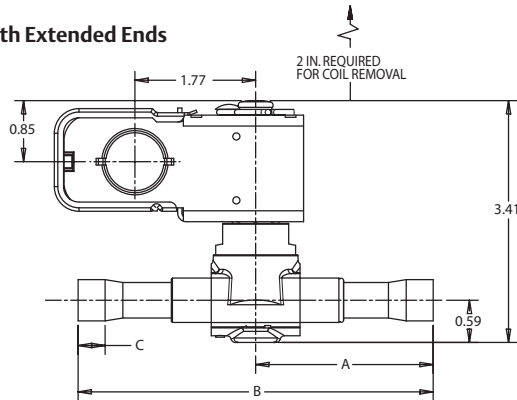
Without Extended Ends



### Without Extended Ends

Model	Port Size	Conn. Size & Style	A	B
200RB 4S3	1/4	3/8 ODF x 1/2 ODM	0.50	
200RB 4S4		1/2 ODF x 5/8 ODM	0.56	
200RB 4F3		3/8 SAE (male flare)	-	
200RB 5S4	5/16	1/2 ODF x 5/8 ODM	0.56	2.37
200RB 5S5		5/8 ODF		
200RB 5F4		1/2 SAE (male flare)	-	3.50
200RB 5F5	5/8 SAE (male flare)	-	3.75	
200RB 6S4	3/8	1/2 ODF x 5/8 ODM	0.56	2.37
200RB 6S5		5/8 ODF		
200RB 6F4		1/2 SAE (male flare)	-	3.50
200RB 6F5		5/8 SAE (male flare)	-	3.75

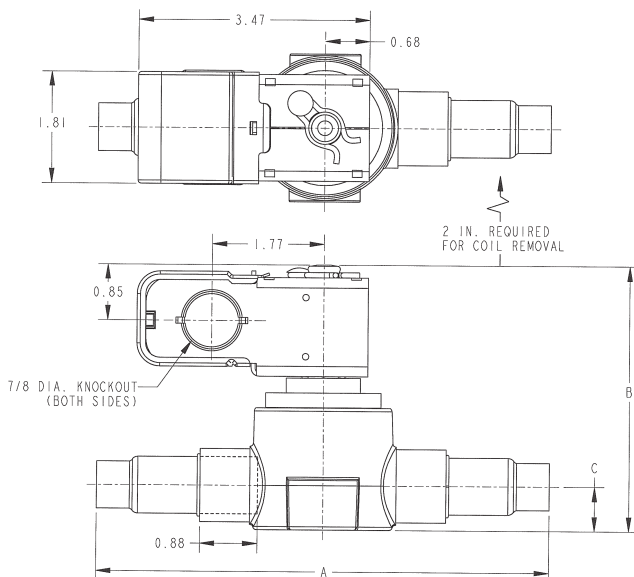
With Extended Ends



### With Extended Ends

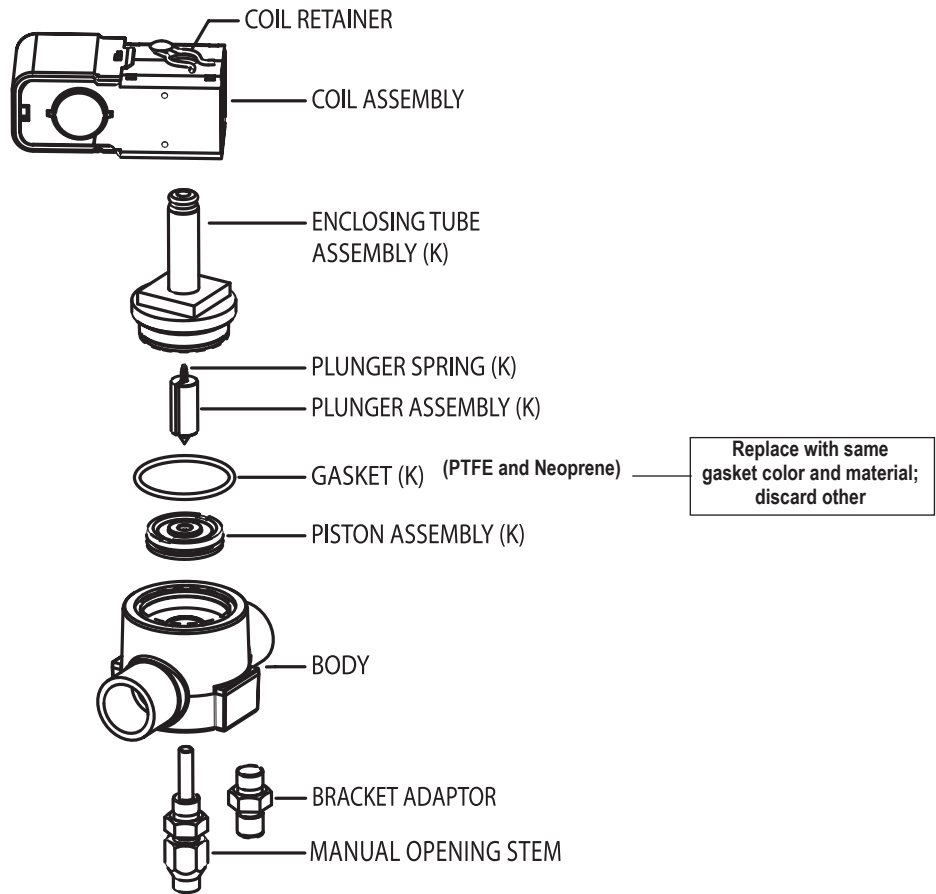
Model	Port Size	Conn. Size & Style	A	B	C
200RB 2T2	1/8	1/4 ODF	2.42	4.62	0.25
200RB 2T3		3/8 ODF			0.31
200RB 3T2	3/16	1/4 ODF	2.42	4.62	0.25
200RB 3T3		3/8 ODF			0.31
200RB 3T4	1/4	1/2 ODF	2.50	5.00	0.38
200RB 4T4					
200RB 4T5	5/8 ODF	3.25	6.50	0.50	
200RB 5T3	5/16	3/8 ODF	2.31	4.62	0.31
200RB 5T4		1/2 ODF	2.50	5.00	0.38
200RB 5T5		5/8 ODF	3.25	6.50	0.50
200RB 6T3	3/8	3/8 ODF	2.31	4.62	0.31
200RB 6T4		1/2 ODF	2.50	5.00	0.38
200RB 6T5		5/8 ODF	3.25	6.50	0.50

### 200RB7 and 200RB9 Dimensional Data (in.)



Model	Port Size	Conn. Size & Style	A	B	C
200RB 7S5	7/16	5/8 ODF x 7/8 ODM	2.98	3.69	0.53
200RB 7T5		5/8 ODF x 5/8 ODF	6.88		
200RB 7T7		7/8 ODF x 7/8 ODF	7.13		
200RB 9T5	9/16	5/8 ODF x 5/8 ODF	6.88	4.05	0.68
200RB 9T6		3/4 ODF x 3/4 ODF	7.38		
200RB 9T7		7/8 ODF x 7/8 ODF	7.13		
200RB 9T9		1 1/8 ODF x 1 1/8 ODF	8.50		

### Exploded View & Parts Kit Data



#### Valve Repair Kit

"K" indicates part is supplied in complete valve repair kit

#### Gasket Kit

Contains 12 pieces each of PTFE and neoprene O-rings

#### Coil Assembly

See coil assemblies for availability.

### Valve Repair Kit

Valve	Complete Kit	PCN	Manual Opening Stem Kit	PCN	Bi-Flow Kit*	PCN	Gasket Kit	PCN
200RB2	KS-30115	049194	-	-	KS-30293	056431	KG-10025	049190
200RB3	KS-30115	049194	KS-30377	065695	KS-30293	056431	KG-10025	049190
200RB4	KS-30115	049194	KS-30117	053959	KS-30293	056431	KG-10025	049190
200RB5	KS-30115	049194	KS-30117	053959	KS-30293	056431	KG-10025	049190
200RB6	KS-30115	049194	KS-30117	053959	KS-30293	056431	KG-10025	049190
200RB7	KS-30354	064263	KS-30361	064831	-	-	KG-00002	064262
200RB9	KS-30362	064825	KS-30364	064832	-	-	KG-00003	064830

\*Standard 200RB unidirectional valves can be converted to Bi-Flow operation by replacing the internal parts with the components in kit KS-30293 (PCN 056431). Unlike the standard valve which permits flow in one direction only when energized, Bi-Flow operation allows the valve to flow in either direction, depending on the differential pressures when energized. If the valve is de-energized a higher down stream pressure can cause the valve to lift or flutter. 200RB7 and 200RB9 cannot be converted to a Bi-Flow valve.