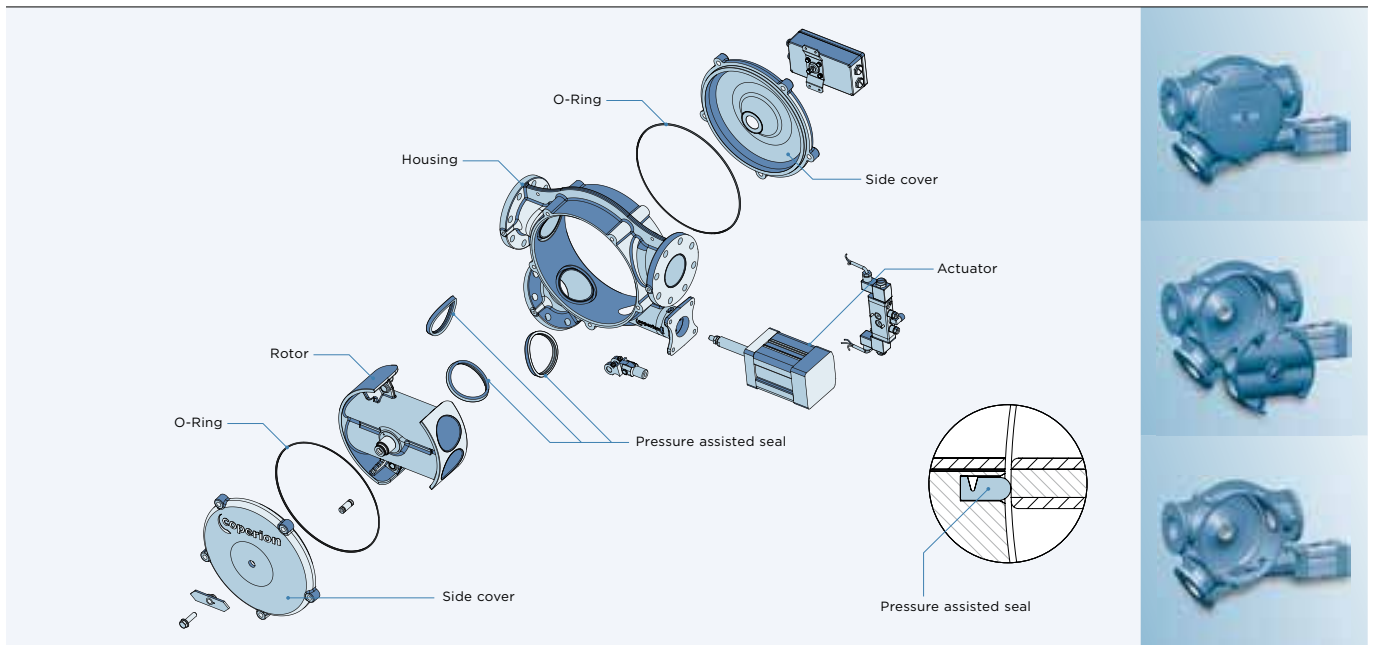


Two-Way-Diverter Valve WZK



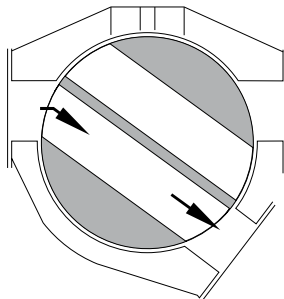
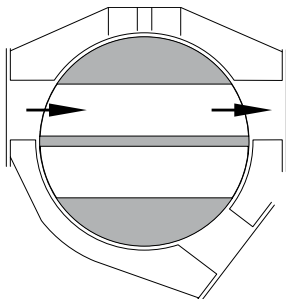
DUAL CHANNEL DIVERTER VALVE FOR POWDERS AND GRANULAR PRODUCTS

- _ In cylindrical design with pressure assisted seals
- _ For installation in conveying lines or in gravity pipes at up to 5 barg
- _ Coperion's original - world-wide top selling diverter valve



Straight through

Diverted

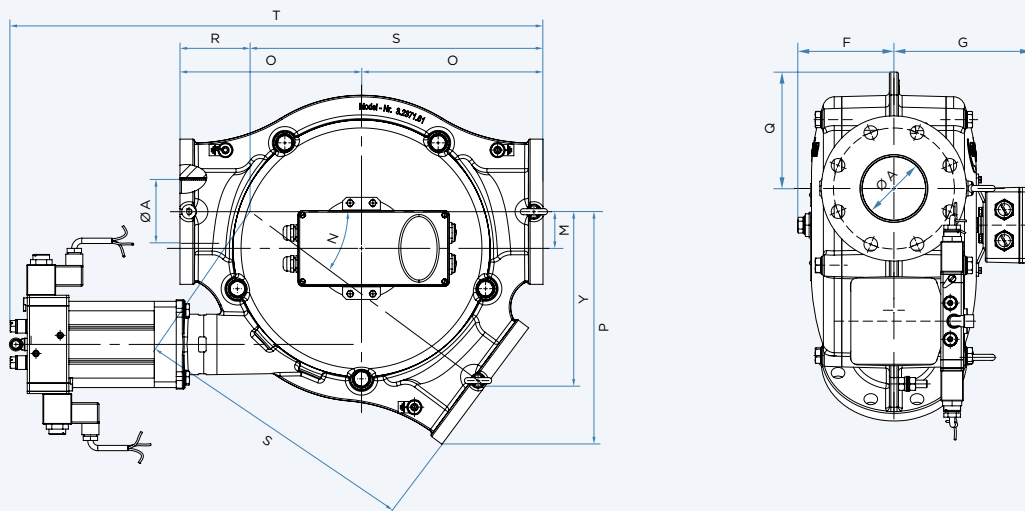


DIVERTER VALVE FOR POWDERS AND GRANULAR PRODUCTS | WZK

PRESSURE RANGE 5 barg (73 psi) system and differential pressure
PRESSURE SURGE PROOF (OPTIONAL) 10 barg (145 psi) due to heavy duty design (on request)
OPERATION TEMPERATURE -20°C up to 100°C
APPLICATION Suitable for fluid group 2 according PED (fluid group 1 on demand)
SEAL CONFIGURATION Pressure assisted seal at each part
MATERIAL OF CONSTRUCTION Cast aluminium with stainless steel pipe insert

OPTIONS AND ACCESSORIES

- _ Applicable in Ex-Zones with additional accessories
- _ Wear protection
- _ Various seal materials according to application
- _ Signal box on right-hand side or left-hand side
- _ Quick cleaning design



Shown with signal box on right-hand side

	Inlet*/Outlet*				Other dimensions											Weight appr. kg	
	A (DIN)	A (ANSI)	Ø A	Ø A (Option)	F	G	M	N	O	P	Q	R	S	T	Y	AL	
WZK 50	ND 50	2"	55.1	50.3	108	163	35	33.5°	185	232	127,5	69	301	604	166	28	
WZK 65	ND 65	2,5"	70.9	68.1	121	176	42.5	36.7°	215	276	135	87	343	662	205	33	
WZK 80	ND 80	3"	83.7	80.9	127	182	48.5	36.6°	240	308	154	93	387	705	231	39	
WZK 100	ND 100	4"	109.1	101.7	146	201	60.8	35.4°	270	360	199	80	461	782	267	58	
WZK 125	ND 125	5"	133.7	125.5	166	220	74	35.5°	320	424	235	89	551	906	320	89	
WZK 150	ND 150	6"	162.3	154	185	240	88.5	36°	360	485	268	88	632	989	372	121	
WZK 175	ND 175	7"	187.7	181.7	236	291	102	36°	425	574	332	111	739	1158	434	196	
WZK 200	ND 200	8"	213.1	207.1	247	302	117	35°	500	640	393	129	871	1324	500	274	
WZK 250	ND 250	10"	267.0	261	282	387	144	35.5°	600	776	457	152	1048	1512	609	376	

Dimensions in mm

* Drilled according to DIN PN 10 or ANSI 150 lbs