

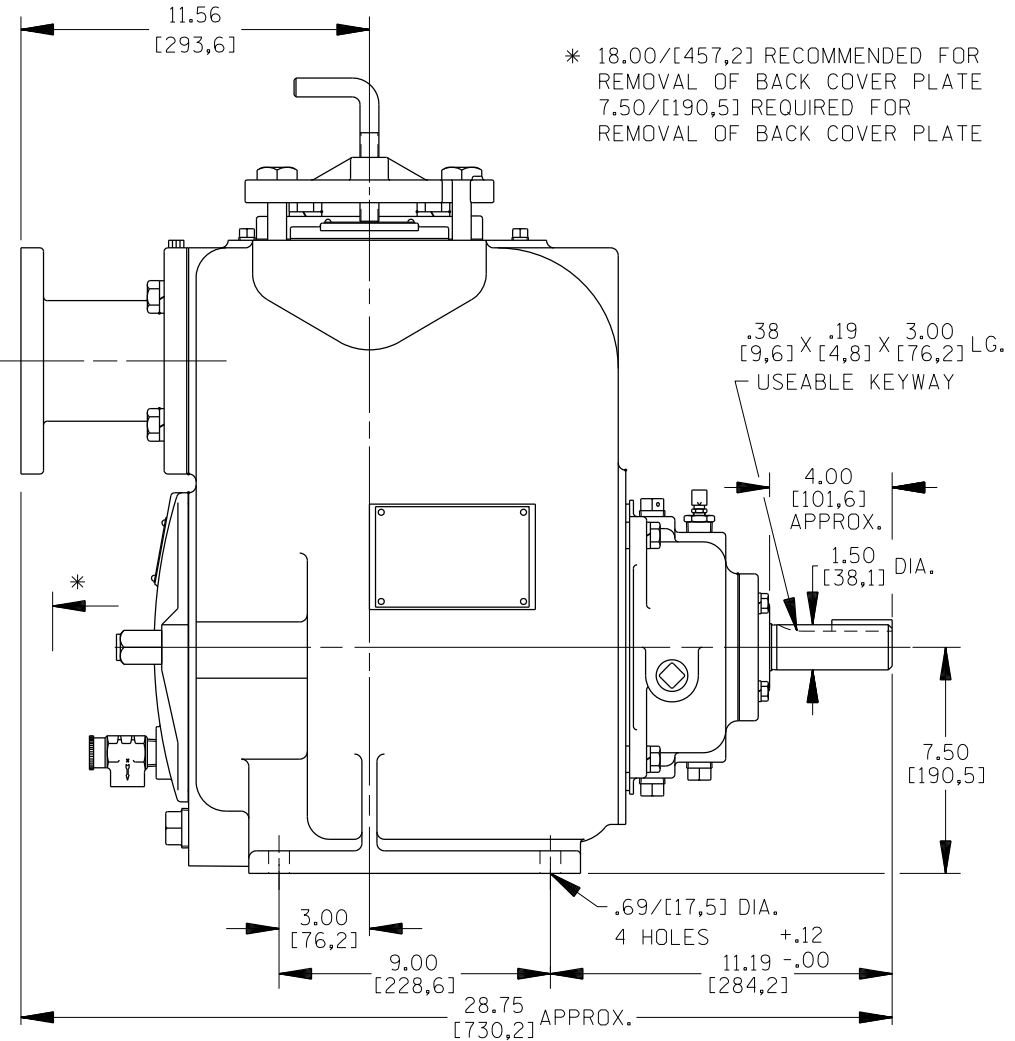
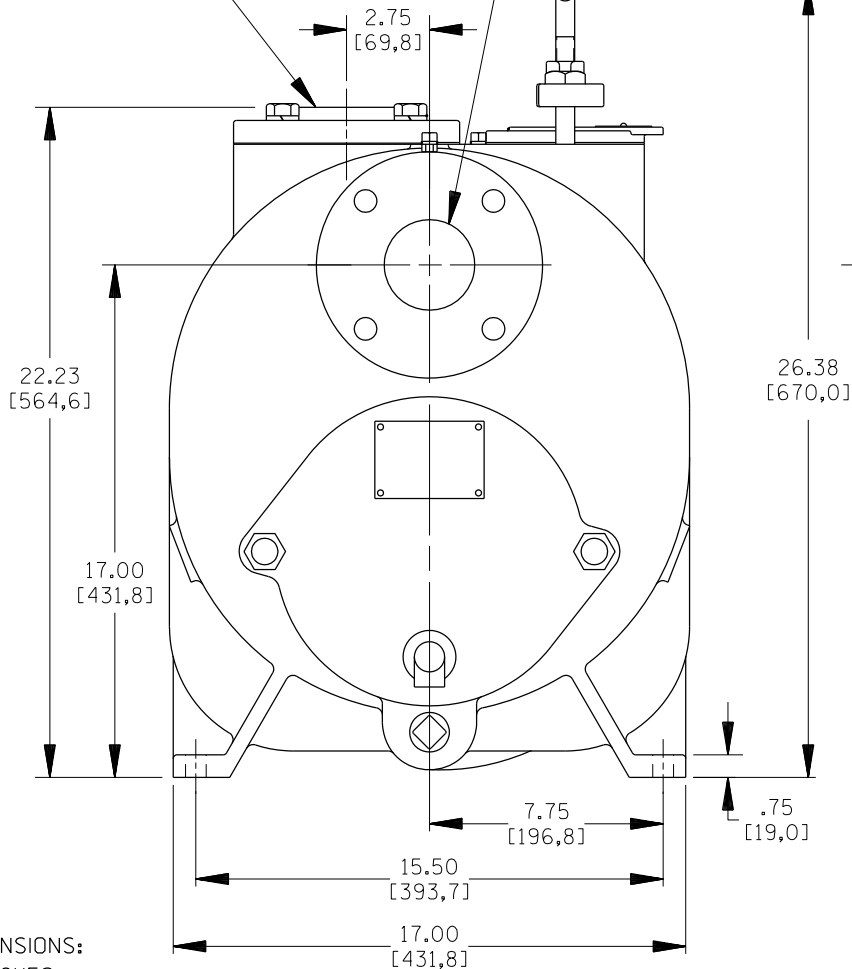
A-11417A

B 11417A

DISCHARGE:
3.00-8 NPT

SUCTION:
3.00 NOMINAL WITH
4 HOLES .75/[19,0] DIA.
EQUALLY SPACED ON A
6.00/[152,4] DIA. B.C.

* 18.00/[457,2] RECOMMENDED FOR
REMOVAL OF BACK COVER PLATE
7.50/[190,5] REQUIRED FOR
REMOVAL OF BACK COVER PLATE



DIMENSIONS:
INCHES
[MILLIMETERS]

| | | | | |
|--------|---|-----------------|--------------------|--------------------------|
| 07-024 | THE GORMAN-RUPP CO. MANSFIELD, OHIO ST. THOMAS, ONTARIO | DRAWN BY KJW | SCALE 1/4 | MODEL T3A-B |
| | | DATE 8-10-88 | REVISED 7-17-07 | OUTLINE NUMBER 11417A |