

LH Series

Identification Number Ball Slide

Refer to following numbering system when ordering.
Refer to Page 12 for Rail Identification Number.

NOTE:

Single seal installed each side as standard. All slides come with a grease fitting. A brass extension connector is installed with K1 Lubrication Units to accept the grease fitting.

Ball Slide (Stocked item)

LAH 25 AN Z - K2P

Ball Slide Type

Size No.

- AN: Square - Standard
- BN: Square - Long
- FL**: Flanged (Thru hole) Standard
- HL: Flanged (Thru hole) Long
- EM: Flanged (Tapped & Thru hole) Standard
- GM: Flanged (Tapped & Thru hole) Long
- EL: Flanged (Tapped hole) Standard
- GL: Flanged (Tapped hole) Long

No code: No special accessories and fluoride black chrome plating

- K: One K1 Lubrication Unit each side
- K2: Two K1 Lubrication Units each side
- D: Double Seals each side
- P: Protector Plate each side
- DP: Double Seals + Protector Plate each side
- KD: One K1 Unit + Double Seals each side
- K2D: Two K1 Units + Double Seals each side
- KP: One K1 Unit + Protector Plate each side
- K2P: Two K1 Units + Protector Plate each side
- F: Fluoride Black Chrome Plating
- FK: Fluoride Black Chrome Plating + One K1 Unit
- FK2: Fluoride Black Chrome Plating + Two K1 Units
- FKD: Fluoride Black Chrome Plating + One K1 Unit + Double Seals each side
- FKDP: Fluoride Black Chrome Plating + One K1 Unit + Double Seals each side + Protector Plate each side
- FD: Fluoride Black Chrome Plating + Double Seals each side

- No code: Clearance type
- Z: Preloaded type

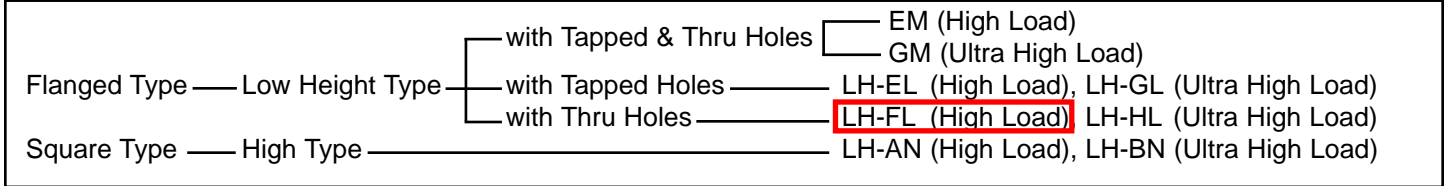
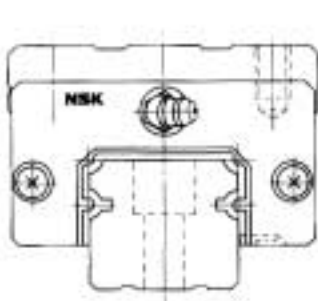


Fig.-1 LH-AN, LH-BN TYPE



**Fig.-2 LH-EL, LH-GL TYPE
LH-FL, LH-HL TYPE**

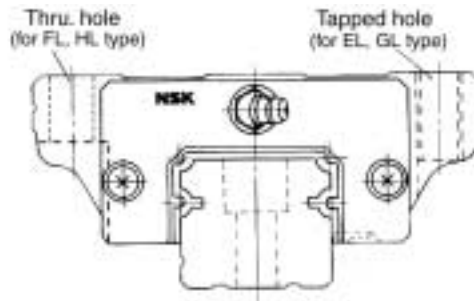
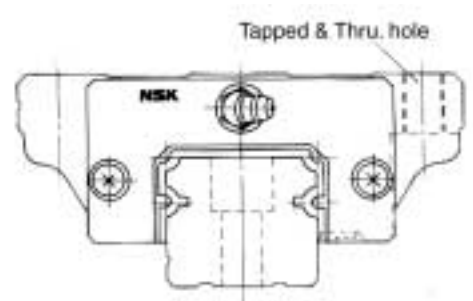


Fig.-3 LH-EM, LH-GM TYPE



Internal Clearance and Preload

The internal clearance refers to the amount of movement of the ball slide, when moved up and down with the rail fixed. The amount of preload is specified by size as follows.

Table 1

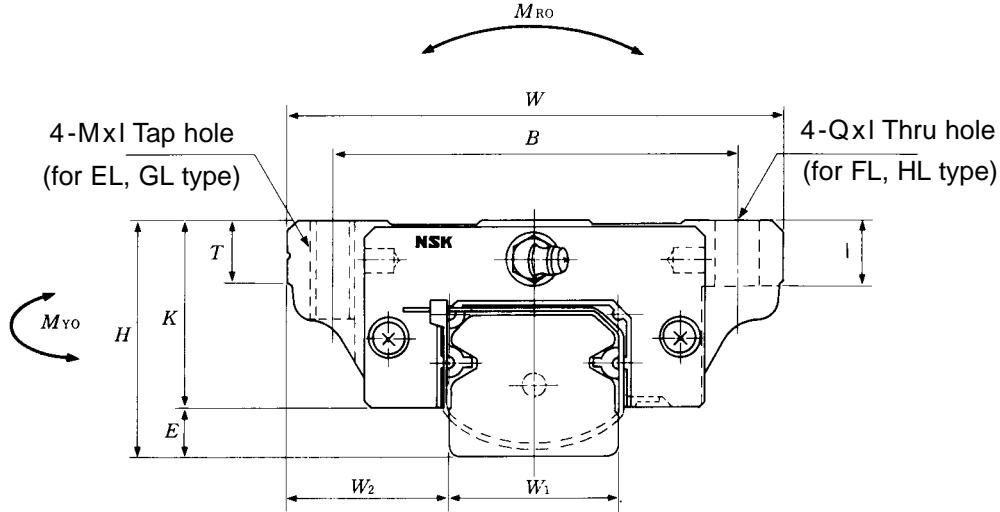
Unit: μm

Size	#15	#20 #25	#30 #35 #45	#55 #65
Clearance	15~-4		15~-5	
Preloaded	0~-4	0~-5	0~-7	0~-9

LH Series Ball Slide Dimension Table

Flange Type

LAH-EL/ELZ
LAH-FL/FLZ



Model No.	Ass'y Dimensions			Ball Slide Dimensions										Bolt Size Thru Hole Q
	H	E	W ₂	W	B	L	L ₁	J	J ₁	K	T	M x I Q x I		
LAH20 EL/ELZ FL/FLZ	30	5	21.5	63	53	69.8	50	40	5	25	10	M 6 x 10 6 x 10	M5	
LAH20 GL/GLZ HL/HLZ						91.8	72		16					
LAH25 EL/ELZ FL/FLZ	36	7	23.5	70	57	79	58	45	6.5	29	11	M 8 x 16 7 x 10	M6	
LAH25 GL/GLZ HL/HLZ						107	86		20.5					
LAH30 EL/ELZ FL/FLZ	42	9	31	90	72	98.6	72	52	10	33	11	M10 x 18 9 x 12	M8	
LAH30 GL/GLZ HL/HLZ						124.6	98		23					
LAH35 EL/ELZ FL/FLZ	48	9.5	33	100	82	109	80	62	9	38.5	12	M10 x 20 9 x 13	M8	
LAH35 GL/GLZ HL/HLZ						143	114		26					
LAH45 EL/ELZ FL/FLZ	60	14	37.5	120	100	139	105	80	12.5	46	13	M12 x 24 11 x 15	M10	
LAH45 GL/GLZ HL/HLZ						171	137		28.5					
LAH55 EL/ELZ FL/FLZ	70	15	43.5	140	116	163	126	95	15.5	55	15	M14 x 28 14 x 18	M12	
LAH55 GL/GLZ HL/HLZ						201	164		34.5					
LAH65 EL/ELZ FL/FLZ	90	16	53.5	170	142	193	147	110	18.5	74	23	M16 x 24 16 x 24	M14	
LAH65 GL/GLZ HL/HLZ						253	207		48.5					

Note : W₁ rail dimensions are on Page 12.

