

## Series FK-CF-3712

### Furnace ITV Color Camera

ITV cameras for process control in high temperature areas need to be suitable for special needs.

Different working environments in the steel, glass and cement industry require rugged, vibration and shock-resistant cameras that are capable of withstanding continuous operation - at the same time they have to be sufficiently sensitive to provide color video images with high resolution detail.

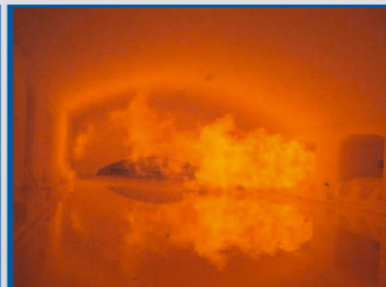
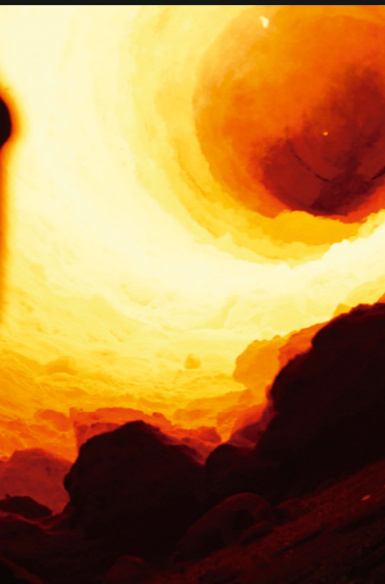
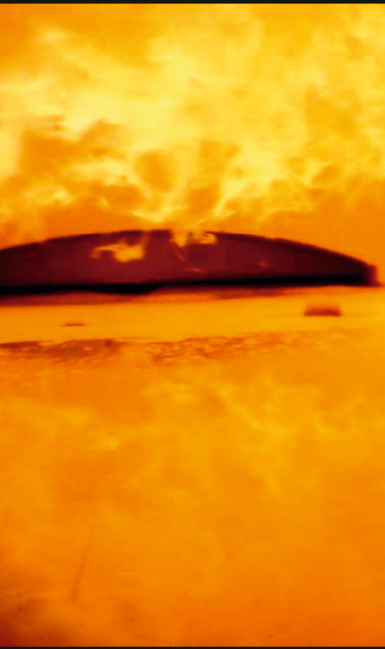
The FK-CF-3712 is a series of various ITV color cameras, which are characterized by some special technical features and a compact design.

The high-resolution cameras are equipped with digital signal processing DSP, have different ways of synchronizing and are installed in protective housings of the SIG series. These protective housings provide 1-wire technology on the back and have only a single 10-pin MIL-standard connector.

The FK-CF-3712 series cameras are ideal for areas which require a very good color reproduction in extreme lighting conditions.

#### Key features

- Full compatibility to the FK-CM-PTZ-3600 Series Software
- Integrated test pattern generator
- Digital signal processing DSP
- Electronic pan, tilt, zoom
- GUI Graphic User Interface
- Iris control DC/Al
- RS-232C interface
- Interface/Data board to convert RS-232 to RS-422 available

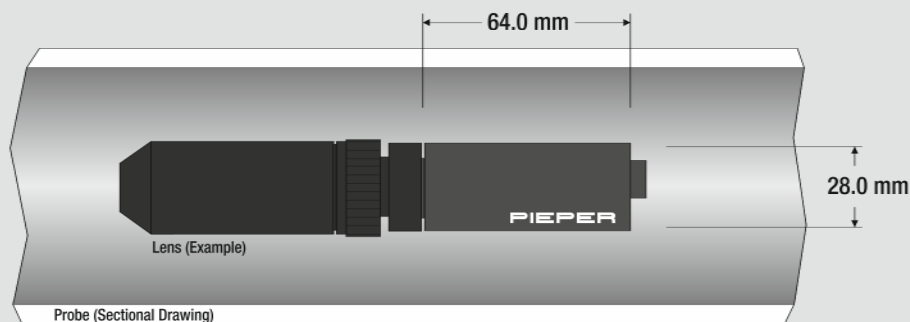


# Series FK-CF-3712\_

## Series FK-CF-3712 - Specifications

	FK-CF-3712-2-IQ	FK-CF-3713-2-IQ
Sensor	1/2"-Interline Transfer CCD	1/3"-Interline Transfer CCD
Picture elements	PAL: 752 x 582 pixels (HxV) NTSC: 768 x 494 pixels (HxV)	PAL: 752 x 582 pixels (HxV) NTSC: 768 x 494 pixels (HxV)
TV-System	PAL: 625 lines NTSC: 460 lines	PAL: 625 lines NTSC: 460 lines
Resolution	> 480 lines (H)	> 480 lines (H)
Sensitivity	0.01 lux (Color); 0.001 lux (B/W)	0.01 lux (Color); 0.001 lux (B/W)
S/N Ratio	> 48dB	> 48dB
Synchronization	internal, Quarz	internal, Quarz
Backlight compensation	free programmable	free programmable
AGC	0-32dB	0-32dB
Gamma correction	10 steps adjustable	10 steps adjustable
White balance	Automatic/manual, 2,500 to 10,500 K	Automatic/manual, 2,500 to 10,500 K
Electronic shutter	PAL: 1/50- 1/100,000 sec., NTSC: 1/60- 1/100,000 sec. nine steps	PAL: 1/50- 1/100,000 sec., NTSC: 1/60- 1/100,000 sec. nine steps
Video out	FBAS 1,0 Vss 75 Ohm	FBAS 1,0 Vss 75 Ohm
On-Screen menu	All camera parameters, pan, tilt, zoom	All camera parameters, pan, tilt, zoom
Power requirement	12 VDC	12 VDC
Power consumption	appr. 3.0 W	appr. 3.0 W
Lens mount	CS-Mount	CS-Mount
Lens control	Video, DC	Video, DC
Operating temperature	- 20°C to + 70°C	- 20°C to + 70°C
Dimensions (WxHxD)	appr. 28.0 x 28.0 x 64.0 mm	appr. 28.0 x 28.0 x 64.0 mm
Weight	appr. 70 g	appr. 70 g

## Series FK-CF-3712 - Dimensions



**MOOG**  
**PIEPER**

Head office  
PIEPER GMBH  
Binnerheide 33  
58239 Schwerte  
GERMANY  
Tel.: +49 2304 4701-0  
Fax: +49 2304 4701-77

Branch office Düsseldorf  
PIEPER GMBH  
Gumbertstr. 111  
40229 Düsseldorf  
GERMANY  
Tel.: +49 211 215033  
Fax: +49 211 215036

Branch office Berlin  
PIEPER GMBH  
Symeonstr. 6  
12279 Berlin  
GERMANY  
Tel.: +49 30 7225299  
Fax: +49 30 7224487

Branch office Gera  
PIEPER GMBH  
Lusener Str. 20  
07549 Gera  
GERMANY  
Tel.: +49 365 73707-0  
Fax: +49 365 73707-17

Branch office Cottbus  
PIEPER GMBH  
Calauer Str. 70  
03048 Cottbus  
GERMANY  
Tel.: +49 355 43090340  
Fax: +49 355 43090341