

**NOTICE**

THIS DRAWING IS THE PROPERTY OF QUALITROL CORPORATION AND IS LOANED ONLY ON THE CONDITION THAT IT WILL BE USED TO FACILITATE THE PURPOSE FOR WHICH INTENDED AND NOT BE REPRODUCED, COPIED OR OTHERWISE DISPOSED OF, AND IS NOT TO BE USED IN WHOLE OR PART FOR FURNISHING INFORMATION RELATIVE TO THE MAKING OF DRAWINGS, PARTS APPARATUS OR PARTS THEREOF, EXCEPT BY WRITTEN ORDER FROM QUALITROL CORPORATION.

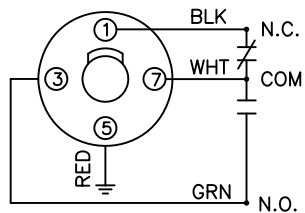
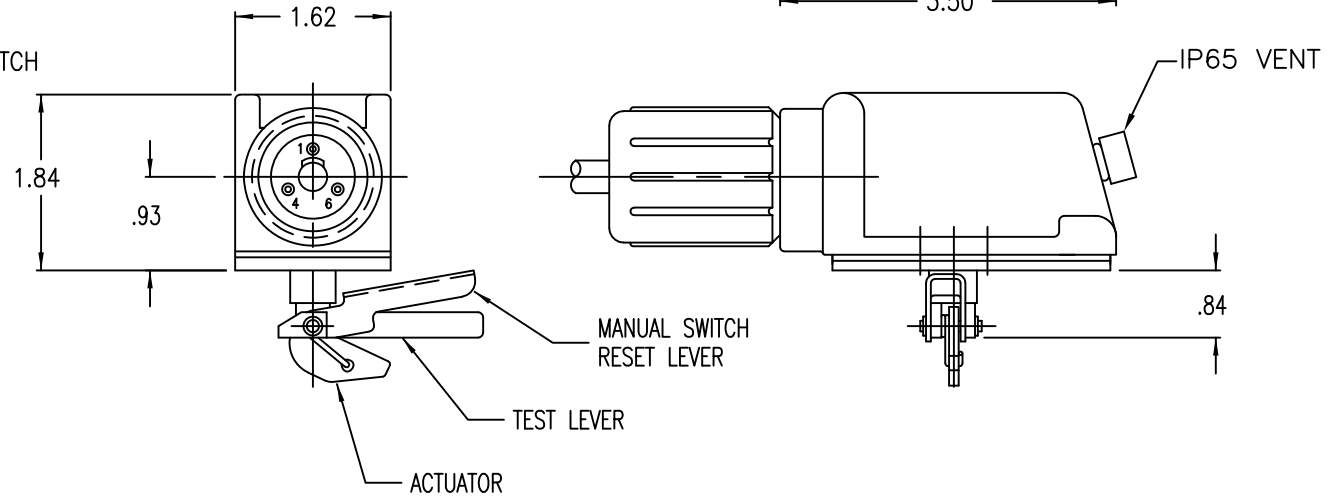
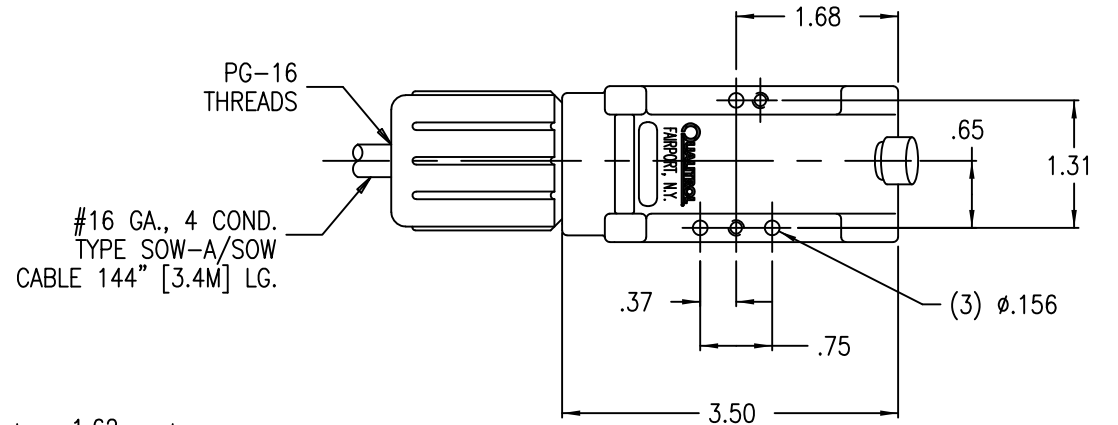
MODEL NO. AS1000-00258566

**NOTES:**

1. SWITCH RATING:  
 ENEC/CQC: 11(3) A, 125/250 VAC  
 UL/cUL: 11(3) A, 125/250 VAC  
 UL FILE # E12252
2. UNIT PASSES HI-POT TEST;  
 2000 VOLTS BETWEEN CABLE TERMINATION  
 AND GROUND FOR 60 SECONDS.

**SWITCH OPERATION:**

- WHEN ALARM SWITCH IS MOUNTED ON PRESSURE RELIEF DEVICE, BLACK AND WHITE ARE CLOSED.
- SHOULD THE MECHANICAL RELIEF DEVICE BE CALLED UPON TO OPERATE; BLACK AND WHITE OPEN.
- BLACK AND WHITE WILL REMAIN OPEN UNTIL SWITCH RESET LEVER IS MANUALLY DEPRESSED.



WIRING DIAGRAM-4Q01  
 (SHOWN READY TO OPERATE)

LET	DATE	ALTERATION	C.N.
-	3-1-19	DRAWING CREATED	-

**QUALITROL**  
 CORPORATION

DIMENSIONS AND TOLERANCES IN  
 ACCORDANCE WITH ASME Y14.5M-1994

PH. (585) 586-1515  
 FAX (585) 377-0220

1385 FAIRPORT ROAD  
 FAIRPORT, NY 14450

FORM 0-473 REV.D 10/22/02

TITLE: ALARM SWITCH

MODEL NO. AS1000-00258566