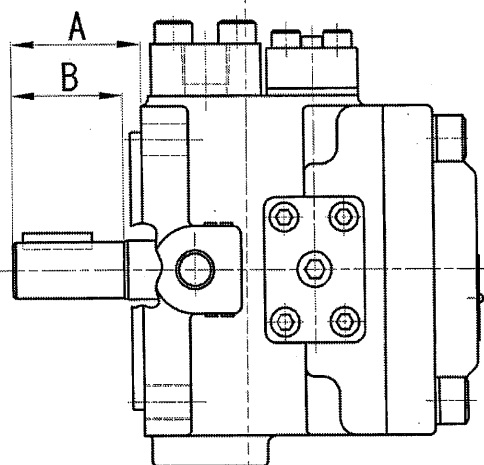


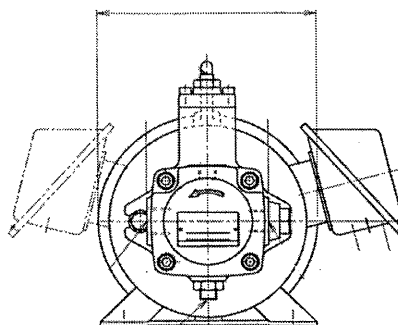
■ VANE PUMP & TOYOPUMP VB1 TYPE - MODEL CHANGE

※: Model code (ending part) for VB1 toyopump is the same with VB1 pump( -B → -C )

OLD MODEL	NEW MODEL	POINT OF CHANGE				REMAKRK
		A (mm)		B (mm)		
		MOUNTING SURFACE—SHAFT END	—	SHAFT END—SHAFT GAP	—	
HVP-FA1-※※※-A	HVP-FA1-※※※-A	NO CHANGE	—	NO CHANGE	—	
HVP-QA1-※※※-11-B	HVP-QA1-※※※-11-B	NO CHANGE	—	NO CHANGE	—	
HVP-FC1-※※※-A-(G)	HVP-FC1-※※※-B-(G)	NO CHANGE	—	48⇒48.5	(+0.5)	
HVP-VB1-※ <sup>18</sup> 2A※-B-(G)	HVP-VB1-※ <sup>18</sup> 2A※-C-(G)	NO CHANGE	—	32.5⇒35.5	(+3)	
HVP-VC1-※ <sup>F30</sup> 26A※ <sup>D34</sup> -B-(G)	HVP-VC1-※ <sup>F30</sup> 26A※ <sup>D34</sup> -C-(G)	38⇒43.5	(+5.5)	33⇒38.5	(+5.5)	
HVP-VD1-※45A※-B-(G)	HVP-VD1-※45A※-C-(G)	NO CHANGE	—	52⇒52.5	(+0.5)	
☆ HVP-VCC1-※26-26A※A※-B	HVP-VCC1-※26-26A※A※-C	38⇒43.5	(+5.5)	33⇒38.5	(+5.5)	
HVP-VCD1-※26-45A※A※-B	HVP-VCD1-※26-45A※A※-C	NO CHANGE	—	52⇒52.5	(+0.5)	
HVP-VDD1-※45-45A※A※-B	HVP-VDD1-※45-45A※A※-C	NO CHANGE	—	52⇒52.5	(+0.5)	

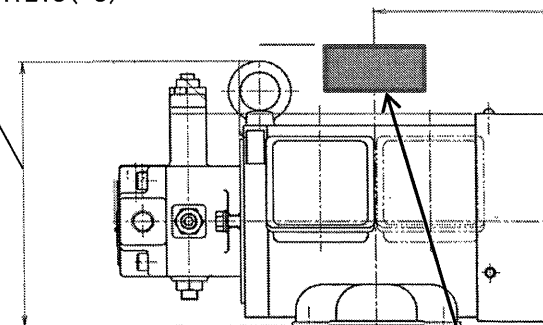


HBPV-8B4: 162  
 ⇒ HBPV-3B4: 157(-5)  
 HBPV-8C4: 183  
 ⇒ HBPV-3C4: 175(-8)



HBPV-8B4: 161  
 ⇒ HBPV-3B4: 200(+39)  
 HBPV-8C4: 210  
 ⇒ HBPV-3C4: 218(+8)

HBPV-8B4: 134  
 ⇒ HBPV-3B4: 140(+6)  
 HBPV-8C4: 159.5



Position of terminal box for a new model

Apparent change of HVP-VB1 toyopump