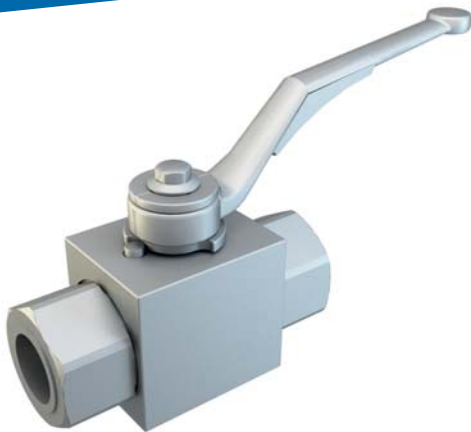



+ GE1

2-WAY HIGH PRESSURE BALL VALVES

SMALLER DESIGN



CARBON STEEL

- Type: ball valve GE 2 way 
- Body: block
- Material: 1,0737
- Ball seats: from DN6 up to DN13
- O-Rings: NBR, FKM, EPDM, MVQ
- Operating pressure: 500 Bar depending on valve size and seal materials selected
- Temp range: -20°C to +100°C depending on seal material selected

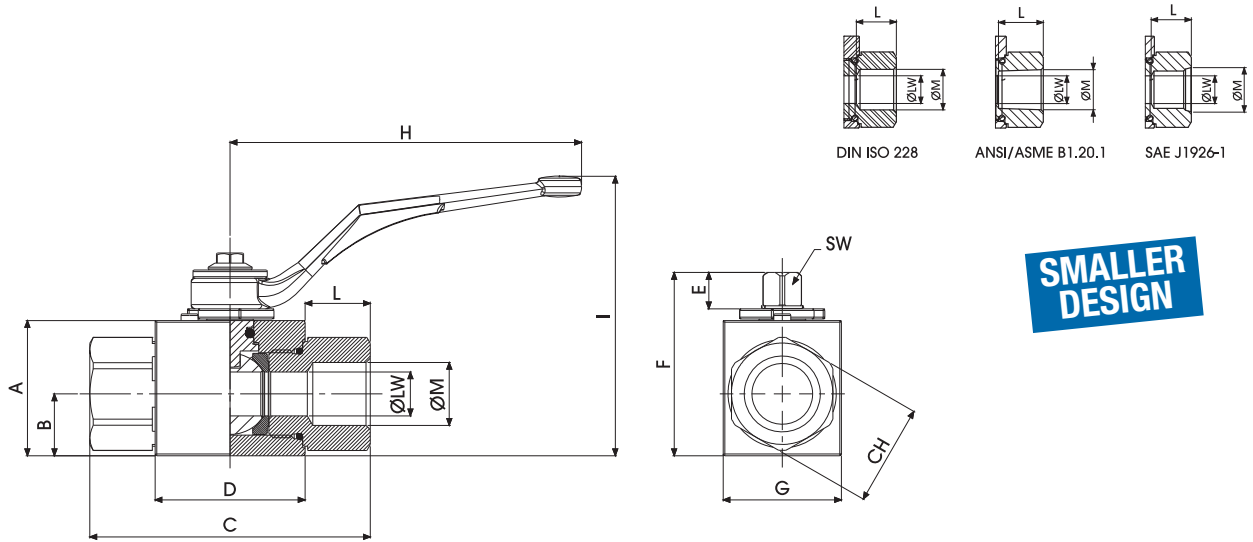
GE1	G 1/4			DN10	1	1	1	1	A	B
Type and way of valve	GAS DIN/ISO 228 BSP	NPT ANSI/ASME B1.20.1	SAE J1926-1	Nominal dimension	Body material	Adapter material	Stem material	Ball material	Ball seat material	Adapter and stem seal material
GE2 2-way	G 1/4	N 1/4	SAE4	DN6	1 1,0737	1 1,0737	1 1,0737	1 1,0737	A POM	B NBR
	G 3/8	N 3/8	SAE6	DN10						
	G 1/2	N 1/2	SAE8	DN13						





2-WAY HIGH PRESSURE BALL VALVES

Specialist in Ball Valves



GE1 DIN/ISO 228 BSP

Standard

CARBON STEEL

TYPE	PN	DN	A	B	C	D	E	F	G	H	I	L	ØM	CH	SW	ØLW	KG	ITEM CODE
GE1 G 1/4	50 MPa	6	33	14,3	69	39,4	10,8	47,3	26	104	76	14,8	G 1/4	22	9	6	0,378	GE1GGT15011A000
GE1 G 3/8	50 MPa	10	35	15	71	41,8	10,8	49,3	30	104	78	14,6	G 3/8	27	9	10	0,467	GE1GGT25011A000
GE1 G 1/2	50 MPa	13	40	18,3	83	44,4	10,8	54,3	35	104	83	19,3	G 1/2	30	9	13	0,635	GE1GGT35011A000

GE1 ANSI/ASME B1.20.1 NPT

Standard

CARBON STEEL

TYPE	PN	DN	A	B	C	D	E	F	G	H	I	L	ØM	CH	SW	ØLW	KG	ITEM CODE
GE1 N 1/4	50 MPa	6	33	14,3	69	39,4	10,8	47,3	26	104	76	14,8	N 1/4	22	9	6	0,378	GE1NNT15011A000
GE1 N 3/8	50 MPa	10	35	15	71	41,8	10,8	49,3	30	104	78	14,6	N 3/8	27	9	10	0,467	GE1NNT25011A000
GE1 N 1/2	50 MPa	13	40	18,3	83	44,4	10,8	54,3	35	104	83	19,3	N 1/2	30	9	13	0,635	GE1NNT35011A000

GE1 SAE J1926-1

Standard

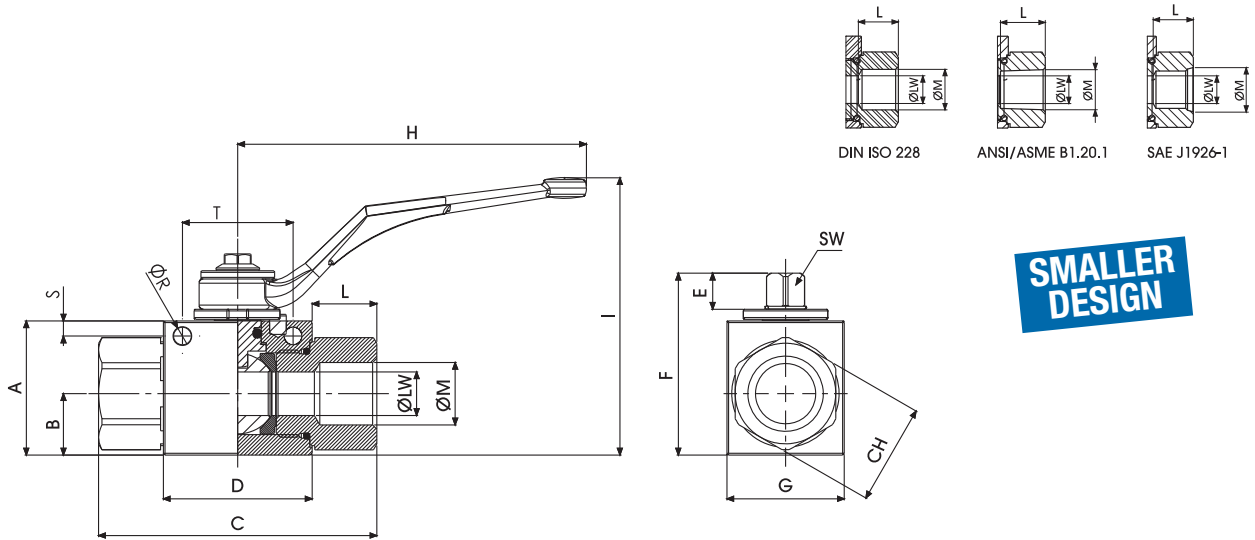
CARBON STEEL

TYPE	PN	DN	A	B	C	D	E	F	G	H	I	L	ØM	CH	SW	ØLW	KG	ITEM CODE
GE1 SAE4	50 MPa	6	33	14,3	69	39,4	10,8	47,3	26	104	76	15,5	7/16 UNF	22	9	6	0,378	GE1EEE05011A000
GE1 SAE6	50 MPa	10	35	15	71	41,8	10,8	49,3	30	104	78	16	9/16 UNF	27	9	10	0,467	GE1EEE15011A000
GE1 SAE8	50 MPa	13	40	18,3	83	44,4	10,8	54,3	35	104	83	17,5	3/4 UNF	30	9	13	0,623	GE1EEE25011A000

+ GE1

2-WAY HIGH PRESSURE BALL VALVES

www.gemels.it



SMALLER DESIGN

GE1 DIN/ISO 228 BSP

Fixing holes

CARBON STEEL

TYPE	PN	DN	A	B	C	D	E	F	G	H	I	L	ØM	CH	ØR	S	T	SW	ØLW	KG	ITEM CODE
GE1 G 1/4	50 MPa	6	33	14,3	69	39,4	10,8	47,3	26	104	76	14,8	G 1/4	22	5,25	4,5	33	9	6	0,378	GE1GGT15011AF10
GE1 G 3/8	50 MPa	10	35	15	71	41,8	10,8	49,3	30	104	78	14,6	G 3/8	27	5,25	4,5	33	9	10	0,467	GE1GGT25011AF10
GE1 G 1/2	50 MPa	13	40	18,3	83	44,4	10,8	54,3	35	104	83	19,3	G 1/2	30	5,25	4,5	33	9	13	0,635	GE1GGT35011AF10

GE1 ANSI/ASME B1.20.1 NPT

Fixing holes

CARBON STEEL

TYPE	PN	DN	A	B	C	D	E	F	G	H	I	L	ØM	CH	ØR	S	T	SW	ØLW	KG	ITEM CODE
GE1 N 1/4	50 MPa	6	33	14,3	69	39,4	10,8	47,3	26	104	76	14,8	N 1/4	22	5,25	4,5	33	9	6	0,378	GE1NNT15011AF10
GE1 N 3/8	50 MPa	10	35	15	71	41,8	10,8	49,3	30	104	78	14,6	N 3/8	27	5,25	4,5	33	9	10	0,467	GE1NNT25011AF10
GE1 N 1/2	50 MPa	13	40	18,3	83	44,4	10,8	54,3	35	104	83	19,3	N 1/2	30	5,25	4,5	33	9	13	0,635	GE1NNT35011AF10

GE1 SAE J1926-1

Fixing holes

CARBON STEEL

TYPE	PN	DN	A	B	C	D	E	F	G	H	I	L	ØM	CH	ØR	S	T	SW	ØLW	KG	ITEM CODE
GE1 SAE4	50 MPa	6	33	14,3	69	39,4	10,8	47,3	26	104	76	15,5	7/16 UNF	22	5,25	4,5	33	9	6	0,378	GE1EEE05011AF10
GE1 SAE6	50 MPa	10	35	15	71	41,8	10,8	49,3	30	104	78	16	9/16 UNF	27	5,25	4,5	33	9	10	0,467	GE1EEE15011AF10
GE1 SAE8	50 MPa	13	40	18,3	83	44,4	10,8	54,3	35	104	83	17,5	3/4 UNF	30	5,25	4,5	33	9	13	0,623	GE1EEE25011AF10

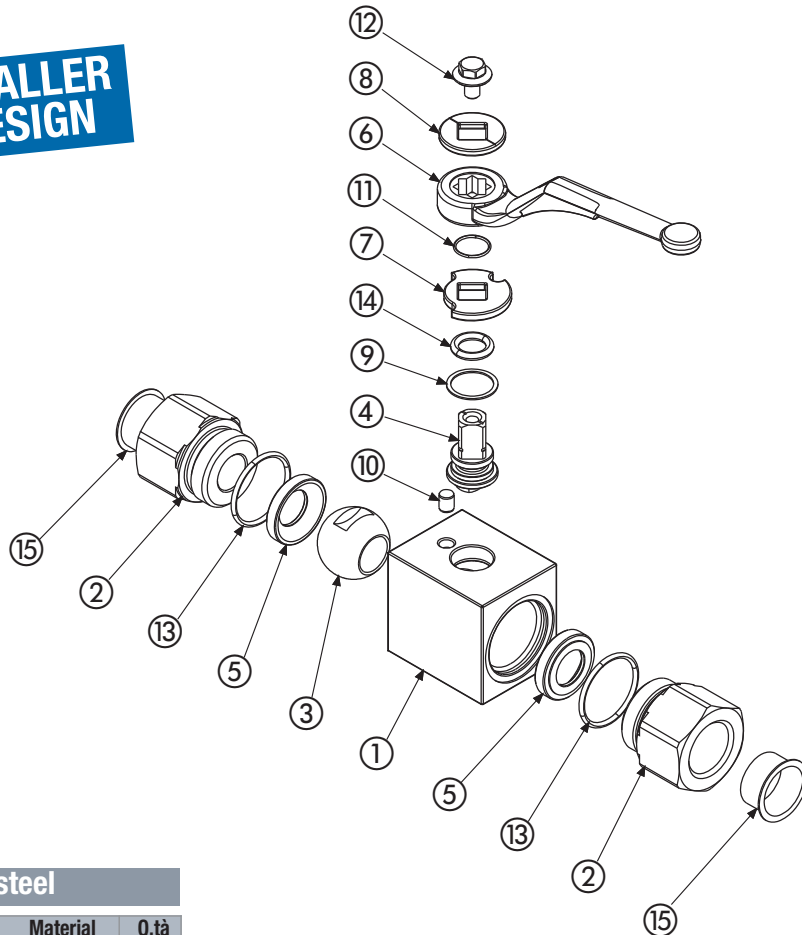
+ GE1

2-WAY HIGH PRESSURE BALL VALVES

www.gemels.it

2016 - Edition 1

SMALLER DESIGN



Carbon steel

Pos	Description	Material	Q.tà
1	Body	1,0737	1
2	Adapter	1,0737	2
3	Ball	1,0737	1
4	Stem	1,0737	1
5	Ball seat	POM	2
6	Handle	ZINC	1
7	Washer	1,0116	1
8	Washer	1,0116	1
9	Stem ring	POM	1
10	Spine	1,0737	1
11	Seeger	1,4301	1
12	Adapter o-ring	NBR	2
13	Stem o-ring	NBR	1
14	Screw	Din 6921 8.8	1
15	Caps	PVC	2

For further special requests please consult our technical/commercial service

- On request**
- Reduced bore
 - O-Ring in FKM, EPDM, HNBR, KALREZ
 - Seals in PTFE, PEEK, PA612, GEMPTFE, METAL TO METAL
 - Special threads
 - Stem in stainless steel 1,4404
 - Ball in stainless steel 1,4404
 - Pressure class up to PN50 MPa
 - Pneumatic and electrical actuator
 - Security block
 - Locking device