

## Datasheet - AZ/AZM 200-B30-RTAG1

Solenoid interlock / AZM 200 / Actuator / AZ/AZM 200-B30



Preferred typ



- Actuator for hinged guards
  - With door detection sensor T
  - Easy and intuitive operation
  - No risk of injury from protruding actuator
  - No supplementary door handles required
  - Does not protrude into the door opening
  - Various handles available
- Greater mechanical stability

(Minor differences between the printed image and the original product may exist!)

### Ordering details

Product type description	AZ/AZM 200-B30-RTAG1
Article number	101178680
Strobe lamp	4030661312729
eCl@ss	27-27-06-05

### Approval

Approval



notice

Certification in combination with the AZ/AZM 200

### Global Properties

Permanent light	AZ/AZM 200-B30
Materials	
- Material of the housings	Plastic, glass-fibre reinforced thermoplastic self-extinguishing
- Material of the actuator	zinc die-cast
- Material of the operators	Aluminium, plastic coating
Weight	590
Door detection sensor (Y/N)	Yes

### Mechanical data

Mechanical life	≥ 1.000.000 operations
-----------------	------------------------

Emergency unlocking device (Y/N)	No
Grip	handle
Clamping force	2000
Actuator mounted	outside
Door hinge	right

## Dimensions

---

### Dimensions of the actuators

- Width of the actuator	115
- Height of the actuator	115
- Length of the actuator	60

## Included in delivery

---

The safety switch / solenoid interlock and the actuator unit must be ordered separately.

## Keywords

---

Search keys Lockout tag; SZ 200

## Ordering code

---

AZ/AZM 200-B30-(1)T(2)(3)(4)-(5)

(1)

L Door hinge on left-hand side  
R Door hinge on right-hand side

(2)

A for Mounting outside  
I for Mounting inside

(3)

G1 with handle  
G2 with Rotating knob

(4)

P1 with Emergency exit  
P20 with Emergency exit Metal film (*Only for Mounting outside possible*)  
P25 with Emergency exit Inset handle (*Only for Mounting outside possible*)  
P30/P31 with Locking rod (*Only for Mounting outside possible*)

(5)

without without Lockout tag  
SZ with Lockout tag (*Only for Mounting outside possible*)

## Documents

---

**Operating instructions and Declaration of conformity** (it) 1 MB, 25.11.2015

Code: mrl\_az-azm200-b30\_mit\_innenanbau\_it

**Operating instructions and Declaration of conformity** (sv) 971 kB, 17.06.2015

Code: mrl\_az-azm200-b30\_mit\_innenanbau\_sv

**Operating instructions and Declaration of conformity** (de) 1 MB, 26.10.2015

Code: mrl\_az-azm200-b30\_mit\_innenanbau\_de

**Operating instructions and Declaration of conformity (fr)** 1 MB, 05.02.2016

Code: mrl\_az-azm200-b30\_mit\_innenanbau\_fr

**Operating instructions and Declaration of conformity (pl)** 1 MB, 20.11.2014

Code: mrl\_az-azm200-b30\_mit\_innenanbau\_pl

**Operating instructions and Declaration of conformity (cs)** 1 MB, 24.02.2016

Code: mrl\_az-azm200-b30\_mit\_innenanbau\_cs

**Operating instructions and Declaration of conformity (es)** 985 kB, 03.12.2015

Code: mrl\_az-azm200-b30\_mit\_innenanbau\_es

**Operating instructions and Declaration of conformity (jp)** 1 MB, 11.08.2014

Code: mrl\_az-azm200-b30\_mit\_innenanbau\_jp

**Operating instructions and Declaration of conformity (jp)** 1 MB, 20.04.2016

Code: mrl\_az-azm200-b30\_mit\_innenanbau\_jp

**Operating instructions and Declaration of conformity (en)** 991 kB, 26.10.2015

Code: mrl\_az-azm200-b30\_mit\_innenanbau\_en

**Operating instructions and Declaration of conformity (cn)** 1 MB, 17.06.2015

Code: mrl\_az-azm200-b30\_mit\_innenanbau\_cn

**Operating instructions and Declaration of conformity (pt)** 1 MB, 26.01.2017

Code: mrl\_az-azm200-b30\_mit\_innenanbau\_pt

**Operating instructions and Declaration of conformity (nl)** 979 kB, 31.03.2016

Code: mrl\_az-azm200-b30\_mit\_innenanbau\_nl

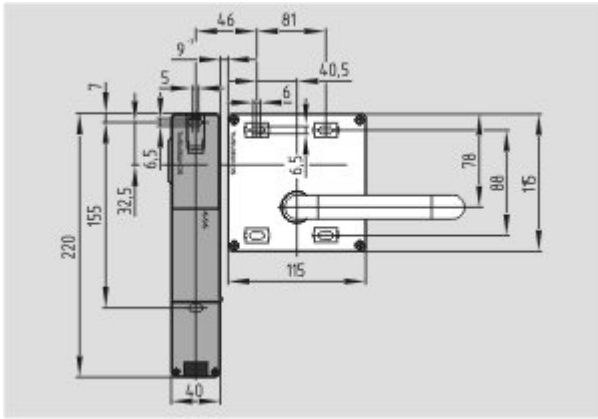
## Images

---



Product photo

---



Dimensional drawing (basic component)

## System components

### Product



#### AZ 200

- Spring pulley connection
- Thermoplastic enclosure
- Max. length of the sensor chain 200 m
- Self-monitoring series-wiring of 31 sensors
- 3 LEDs to show operating conditions
- Sensor technology permits an offset between actuator and interlock of  $\pm 5$  mm vertically and  $\pm 3$  mm horizontally
- Intelligent diagnosis



#### AZM 200

- Thermoplastic enclosure
- Guard locking monitored
- Electronic contact-free, coded system
- Max. length of the sensor chain 200 m
- Self-monitoring series-wiring of 31 sensors
- 3 LEDs to show operating conditions
- Sensor technology permits an offset between actuator and interlock of  $\pm 5$  mm vertically and  $\pm 3$  mm horizontally
- Intelligent diagnosis
- Manual release

K.A. Schmersal GmbH & Co. KG, Möddinghofe 30, D-42279 Wuppertal

The data and values have been checked thoroughly. Technical modifications and errors excepted.

Generiert am 05.01.2018 - 09:01:50h Kasbase 3.3.0.F.64I