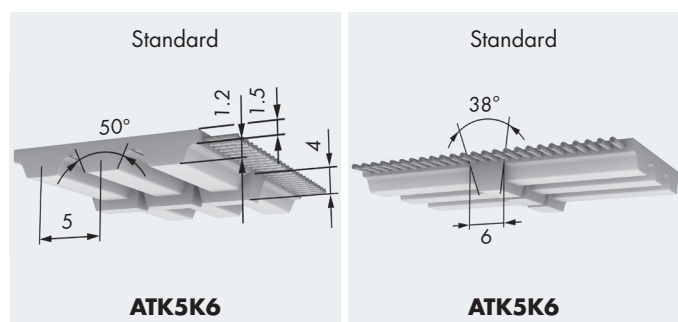


Self-guiding PU timing belts with track
 BRECOFLEX® ATK5K6

Belt widths b [mm] / in-between belt widths on request

50	100
----	-----

BFX ATK5K6
Available lengths and versions

Standard lengths	see table on the right
Any number of teeth available from	1075 mm up to 15 000 mm
Intermediate lengths	from 1075 mm ○
StandardPlus version	1075 mm up to 15 000 mm
Over 15 000 mm	on request
Standard material	TPUST1 ¹⁾
Steel tension member	×
E / Steel tension member (Standard)	○
Stainless steel tension member	○
PAZ	×
DL / DL-PAZ	–
DR / DR-PAZ	–
T / T-PAZ	–

Standard lengths [mm] / number of teeth

Length	Number of teeth	Length	Number of teeth	Length	Number of teeth
1075	215	2240	448	4500	900
1100	220	2360	472	4750	950
1215	243	2500	500	5000	1000
1380	276	2650	530	5300	1060
1400	280	2800	560	5600	1120
1500	300	3000	600	6000	1200
1600	320	3150	630	6300	1260
1700	340	3350	670	6700	1340
1800	360	3550	710	7100	1420
1900	380	3750	750	7500	1500
2000	400	4000	800		
2120	424	4250	850		

× available, standard lengths (see table) without minimum purchase

○ minimum purchase amount on request

– not available

¹⁾ further materials on request