

Customer:	Impexron			Ref.:			
Item	1	Quantity	1	Required flow	500 m³/h	Required head	105 m
Type	VERTICAL LINESHAFT PUMP			Model	P16D/10/55/4B		

OPERATING LIMITS				CONSTRUCTION CHARACTERISTICS			
Pumped liquid	Water			Delivery diameter	250	mm	PN 16
Max temperature of pumped liquid	60	°C		Type of Impeller	Mixed flow		
Maximum density	1	kg/dm³		Number of stages	4		
Maximum viscosity	1	mm²/s		Drive unit seal	Packing		
Maximum solid content	40	g/m³		Delivery port position			
Max static height (**)	12	m		Moment of inertia	14.65264 Kgm²		
Maximum number of starts/hr	-			Max. overall diameter	427	mm	
Maximum operating time with port closed and pump submersed	3	min		Installation depth (m)	3200	mm	
				WEIGHTS			
Minimum immersion depth	1067.5	mm		Pump weight	396	Kg	
				Lineshaft weight	67.2	Kg	
				Drive unit weight	490	Kg	
				Motor weight	1660	Kg	
				Foot valve/strainer weight	226	Kg	

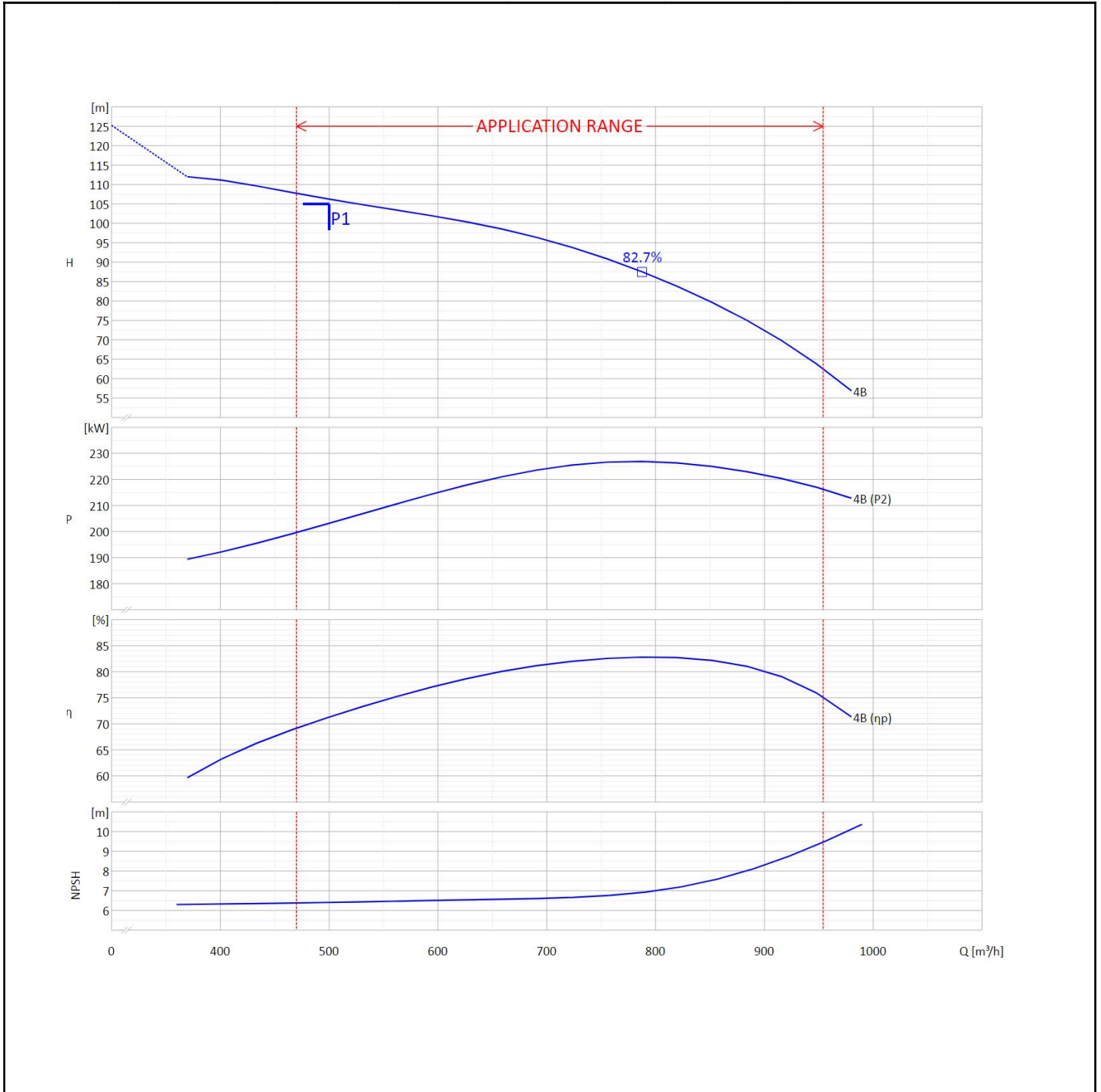
OPERATING CHARACTERISTICS				ELECTRIC MOTOR CHARACTERISTICS			
Service flow rate	502.9		m³/h	Brand			
Service head	106.2		m	Model	P325004T2V13551		
Qmin	Qmax	470	954	Nominal power	250	kW	
H (Q=0)	Hmax (Qmin)	118.6	107.7	Rated frequency	50	Hz	
Power consumption at duty point	203.4		kW	Rated voltage	400	V	
Max power consumption	226.8		kW	Efficiency class	IE3		
Pump efficiency	Overall efficiency	71.4	68.6	Rated current	422.3	A	
NPSH required	6.4		m	No. Rotation speed	4	1490	1/min
Rotation speed	1490		1/min	Type of motor	3 ~		
Sense of rotation (*)	-			Efficiency 4/4 - 3/4	96.0 - 96.1 %		
Tolerance according to standard	ISO 9906:2012 3B			Power factor 4/4 - 3/4	0.89		
Impeller diameter	330	mm		Insulation class	F		
Number of pumps installed	Operating	Stand-by		Is/In Ts/Tn	7.1	2	
	1	0		Type of starting			
				Protection class	IP55		
				Thermal protection	PTC		

PUMP MATERIALS		DRIVE UNIT MATERIALS	
Delivery body	Cast iron	Coupling	Cast iron
Diffuser unit	Cast iron	Deflector	Cast iron
Suction support	Cast iron	Lantern bracket	Cast iron
Impeller	Cast iron	Non reverse racket	Cast iron
Shaft	Stainless steel	Spacer sleeve	Cast iron
Coupling	Stainless steel	Coupling bush	Rubber
Pump shaft bearing bush	Stainless steel/rubber	Cooling pipe	Copper
Taper lock	Stainless steel	Protective casing	Steel
Ring impeller	Cast iron	Discharge base	Cast iron
Sand guard	Stainless steel/rubber	Seal housing	Cast iron
Plug	Steel	Stuffing box	Cast iron
Bolts	Stainless steel	Packing	Graphited cord
		Shaft sleeve	Steel
		Shaft adjusting nut	Steel
		Drive shaft	Steel
		Feather key	Steel
		Screws/Bolts discharge base	Steel
		Nuts/Stud bolts discharge base	Stainless steel

LINESHAFT MATERIALS	
Bearing spider	Cast iron
Internal transmission shaft	Steel
Intermediate bearing sleeve	Steel
Coupling	Stainless steel
Bearing bush	Steel/Rubber
Column pipe	Steel
Column pipe Flange	Steel
Screws	Steel

Notes:	(**) Without pre-lubrication of the column and/or foot-valve	
OFFER No. 21-D1-0354	Pos. 1.1	Date 23/09/2021

Voltage	400	V	Frequency	50	Hz	Flow rate	500 m³/h	Head requ.	105 m
Motor	250	kW	No. poles	4		Model	P16D/10/55/4B		

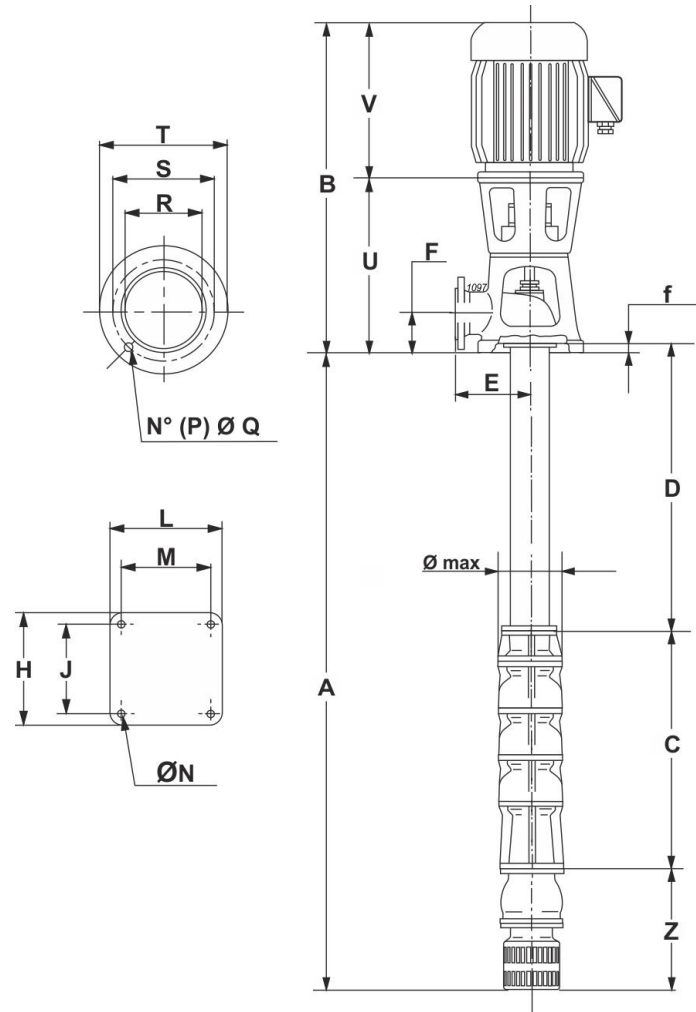


OPERATING DATA- ISO 9906:2012 3B -

Q [m³/h]	H [m]	P [kW]	η [%]	NPSH [m]	Speed [1/min]

OFFER No. 21-D1-0354	Pos. 1.1	Date 23/09/2021
-----------------------------	--------------------	---------------------------

Voltage	400	V	Frequency	50	Hz	Flow rate	500 m ³ /h	Head	105 m
Power	250	kW	No. poles	4		Model	P16D/10/55/4B		



Dimensions [mm]

A	3200	Z	801		
B	2510				
C	1567				
D	880				
E	400				
F	220				
f	48				
H	640				
J	550				
L	640				
M	550				
N	30				
Ø max	580				
P	12				
Q	25				
R	250				
S	355				
T	405				
U	1020				
V	1490				

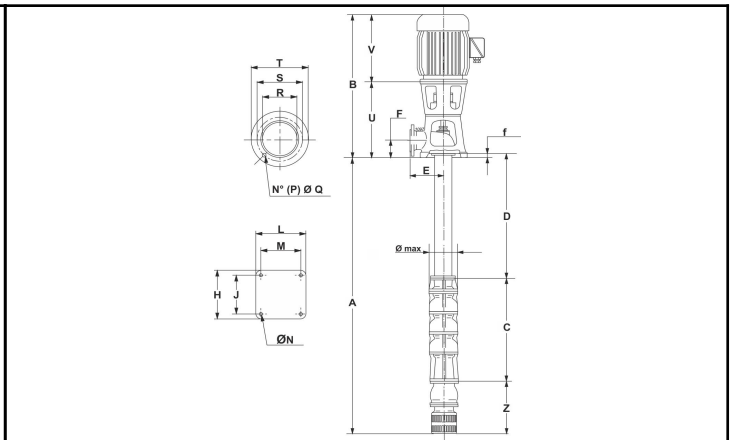
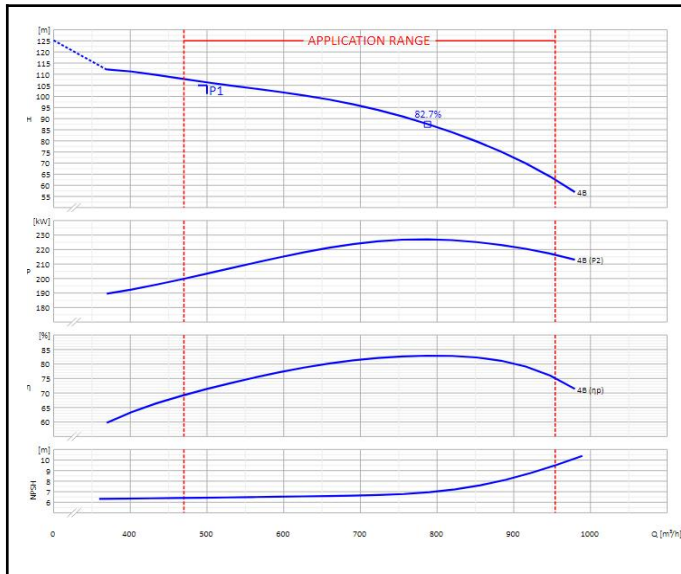
OFFER No. **21-D1-0354**

Pos.
1.1

Date
23/09/2021

CAPRARI S.p.A. reserves the right to make changes to improve its products at any time and without any notice - Copyright © 2016-2021 Caprari S.p.A. - All Rights Reserved.

Customer:	Impexron			Ref.:			
Item	1	Quantity	1	Required flow	500 m³/h	Required head	105 m
Type	VERTICAL LINESHAFT PUMP			Model	P16D/10/55/4B		



A	3200	f	48	Ø max	580	U	1020
B	2510	H	640	P	12	V	1490
C	1567	J	550	Q	25	Z	801
D	880	L	640	R	250		
E	400	M	550	S	355		
F	220	N	30	T	405		

OPERATING DATA- ISO 9906:2012 3B -					CONSTRUCTION CHARACTERISTICS				
Q [m³/h]	H [m]	P [kW]	η [%]	NPSH [m]	Delivery diameter	250	mm	PN	16
					Ass'y weight	2839.2			Kg
					No. Stages	4			
					Seal	Packing			
					Total moment of inertia	14.65264 Kgm²			
					Installation depth (m)	3200			mm

OPERATING LIMITS				PUMP MATERIALS			
Pumped liquid	Water			Delivery body	Cast iron		
Max. temp. of pumped liquid	60	°C		Diffuser unit	Cast iron		
Maximum density	1	kg/dm³		Suction support	Cast iron		
Maximum viscosity	1	mm²/s		Impeller	Cast iron		
Max. solid content	40	g/m³		Shaft	Stainless steel		
Max. number of starts/hr	-			Coupling	Stainless steel		
Minimum immersion depth	1067.5	mm		Pump shaft bearing bush	Stainless steel/rubber		

OPERATING CHARACTERISTICS					LINESHAFT MATERIALS			
Service flow rate	502.9			m³/h	Taper lock	Stainless steel		
Service head	106.2			m	Ring impeller	Cast iron		
Qmin	Qmax	470	954	m³/h	Sand guard	Stainless steel/rubber		
H (Q=0)	Hmax (Qmin)	118.6	107.7	m	Bearing spider	Cast iron		
Pump efficiency	Overall efficiency	71.4	68.6	%	Internal transmission shaft	Steel		
P2 absorbed	P2max	203.4	226.8	kW	Intermediate bearing sleeve	Steel		
Sense of rotation (*)	-				Coupling	Stainless steel		
Number of pumps installed	Operating		Stand-by		Bearing bush	Steel/Rubber		
	1		0		Column pipe	Steel		

ELECTRIC MOTOR CHARACTERISTICS					DRIVE UNIT MATERIALS			
Nominal power	250			kW	Coupling	Cast iron		
Rated frequency	50			Hz	Lantern bracket	Cast iron		
Rated voltage	400			V	Discharge base	Cast iron		
Rated current	422.3			A	Stuffing box	Cast iron		
No. Poles	Rotation speed	4	1490	1/min	Shaft sleeve	Steel		
Efficiency 4/4 - 3/4	96.0 - 96.1 %				Drive shaft	Steel		
Power factor 4/4 - 3/4	0.89				Feather key	Steel		
Is/In	Ts/Tn	7.1	2		Nuts/Stud bolts discharge base	Stainless steel		
Protection class	IP55							
Efficiency class	IE3							

Notes:	(*)		
OFFER No. 21-D1-0354			Pos. 1.1
			Date 23/09/2021