

Addendum to Operating Manual for

795-09456-C 12-07

“Quick Change” PERISTALTIC INK PUMPS and Retrofit Kits to Convert SPLASH RESISTANT PUMPS to “Quick Change” SINGLE HEAD PERISTALTIC PUMPS

The Retrofit Kits to convert Splash Resistant Pumps to “Quick Change” Heads are:

- Graymills Part Number C-39598 to Convert Small Pump Heads (PPS) to the “Quick Change” (PQS) Head;
- Graymills Part Number C-39601 to Convert Large Pump Heads (PPL) to the “Quick Change” (PQL) Head.

NOTE: All users of the “Quick Change” Single Head must first review OMI #795-09456 for complete instructions regarding general peristaltic pump safety, operation and installation. All instructions contained here apply to unique characteristics of the Single Head Peristaltic Ink Pump only.



Splash Resistant Peristaltic Pump



**“Quick Change” Peristaltic Pump with
Removable Head**

SAFETY-Do Not operate pump without Pump Head installed on the motor housing. Pump Head must be properly and securely installed on the pump for safe operation.

CAUTION-

- Pump Head must be fully inserted into the adapter and Pull Ring Plunger must be fully engaged for pump to operate properly.
- DO NOT pull Pull Ring Plunger while pump is in operation. Stop pump before pulling pin.
- DO NOT attempt to remove, rotate or make any adjustments to Pump Head while pump is in operation.

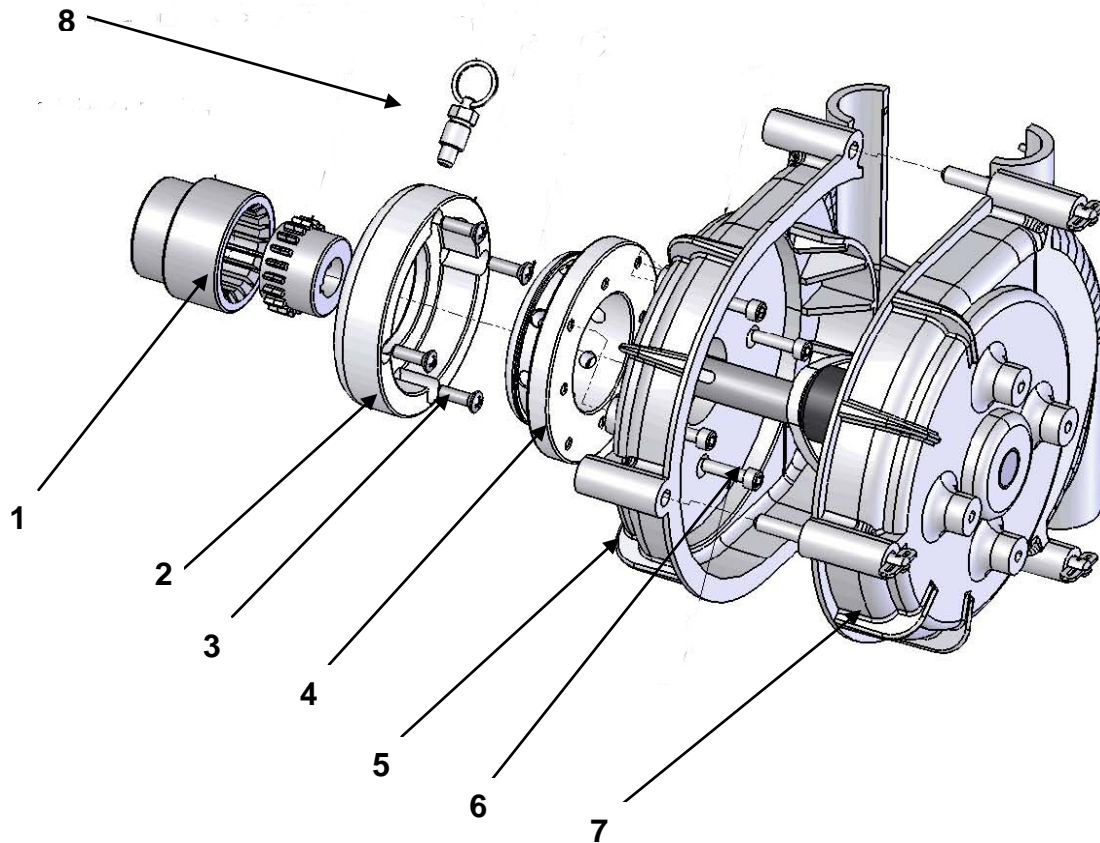
WARNING-

- Disconnect power supply to the pump before making any connections, adjustments or performing service work
- The “Quick Change” Pump has two head sizes: PPS and PPL. The Retrofit Kit must match your pump head size: Kit C-39598 converts the PPS (Small) to the PQS Quick Change head; and the C-39601 converts the PPL (Large) to the PQL Quick Change head.

ABOUT the Retrofit Kit for “Quick Change” Single Head PERISTALTIC PUMPS

This instruction is intended to be used with two types of Peristaltic Pump-the pump configured as a “Quick Change” pump as manufactured by Graymills; and the Splash Resistant pump converted to the “Quick Change” head in the field by use of a Retrofit Kit.

Components of Retrofit Kit for “Quick Change” Peristaltic Pumps



1. Coupling Set
2. Female Adapter(Mounts on Pump Case)
3. Mounting Screws for Female Adapter
4. Male Adapter(Mounts on Pump Head)
5. Pump Head (Inner Half)
6. Mounting Screws for Male Adapter
7. Pump Head (Outer Half)
8. “Quick Release” Pull Ring Plunger

Mounting Instructions for Retrofit Kit

1. Remove Screws from case to expose interior of pump, shaft and coupling.
2. Remove Universal Coupling (between motor and Head Shaft) from Splash Resistant Pump. New Coupling Set (#1, ABOVE) will be two-piece replacement for universal coupling.
3. Install Female Coupling half on motor side shaft with set screw provided; install male Coupling Half on shaft with Set Screw provided
4. Install Female Adapter (#2, ABOVE) on outside of Pump Case with four screws (#3, ABOVE) provided.
5. Install Male Adapter (#4, ABOVE) on Inside Half of PUMP Head(#5, ABOVE) with four screws (#6, ABOVE) provided. Outside Half of Pump Head (#7, ABOVE) with hose can now be mated to Inside Half of Pump Head.
6. Pump Head can now be installed on Pump Case by pulling Pull Ring Plunger (#8, ABOVE) and mounting head on case.

PUMP HEAD REMOVAL/INSTALLATION for “Quick Change” pump

Installing or removing a complete Pump Head, Male Adapter and Hose assembly.

Once the retrofit kit is installed on the pump, installation/removal of pump head is the same for both the retrofit and the factory-built version:

- Stop pump and disconnect power supply.
- Pull Plunger and remove current Pump Head Assembly from motor. The head can be removed with hose in head, thus speeding changeovers.
- Align pump head with male adapter with female adapter on case. If necessary rotate Pump Head slightly until pump head mates with adapter.
- Pull Plunger and continue pressing Pump Head assembly into motor to close the gap between two mating Adapters.
- Rotate and Lock Pump Head as desired.
- Remove pressure from Plunger to allow spring pin to engage with Male Adapter. Rotate and pull on Pump Head to ensure it is properly secured and will not pull off.
- Pump Head Assembly is now ready for operation

PUMP HEAD REPLACEMENT

For replacing a cracked or split plastic pump half, please see the instructions in the OMI #795-09456.

Changing Pump Direction

Specifics of switch operation for speed and direction control are in OMI #795-09456.

Fusing for the Quick Change Single Head Model

For 115 and 230VAC pump operation, use two (2) fuses, Part #780-91518 (5 x20mm, 5.0 Amp, 250VAC, Type FST, Slow Blow)

REPLACEMENT PARTS LIST

Description	Small Peristaltic PQS Head	Large Peristaltic PQL Head
Replacement Pump Head Only	401-35349-78	401-36347-78
Replacement Head Assembly w/Adapter	401-39597	401-39600
Replacement Head Assembly with M/F Adapter	C-39598	C-39601
Male Adapter (one/head)	539-39187-36	539-39187-36
Female Adapter (one/case)	539-39635-36	539-39604-36
O-Ring replacement kit (12 pieces)	C-37515	C-37514
Hose 3/8" ID x 5/8" OD (50 ft)	729-90598-50	
Hose 5/8" ID x 7/8" OD (50 ft)		729-90597-50
Ball Bearings (two/head)	760-09251	760-09256
Coupling Set- 1/2" Bore	769-09254	
Coupling Set- 5/8" Bore		769-09260
Swivel Lock Fastener (three/head)	402-34971	402-34971
Key, 1/8" sq. x 9/16" long.	758-08118-81 (two/head)	
Key, 3/16" sq. x 7/8" long.	758-09258 (one/head)	758-09258 (three/head)
Double Barb Fitting- 3/8" x 3/8"	730-09310	
Double Barb Fitting- 5/8" x 5/8"		730-09309
Retractable Pin	756-91475	756-91475

© 2006 Graymills Corporation

Specifications May Change without Prior Notification

Graymills 3705 N Lincoln Avenue Chicago, IL 60613
773-248-6825 Fax 773-477-8673 www.graymills.com