



G002256

Combined Optical Smoke and Heat Detector **Salwico EV-PP/OAI30**

Part no 040200

System: CS3000, CS3004, CS4000, Salwico Cargo, Salwico Cruise, Salwico LNG, Salwico Offshore, Salwico Ro/Pax, Salwico Workboat, Salwico Yacht, Salwico Navy, OEM Extinguish

General description

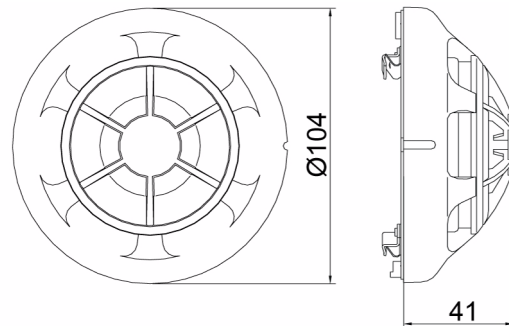
The detector is an analogue addressable optical smoke and heat detector. The smoke and heat detector functions are independent and can be used in any required combination.

The detector is designed to give early warning for the presence of heat and smoke in the supervised area. The detector offers a high protection against unwanted alarms.

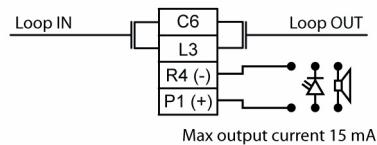
The low profile combined with the Omniview™ 360° alarm indication makes the detector suitable for sites with high architectural requirements.

The address is set by an 8-way DIP-switch.

Dimensions (mm)




Connection



Data

Nominal voltage	34 VDC
Working voltage	20–38 VDC
Working current	< 200 μ A
Alarm current	< 3 mA
Remote output	Max 15 mA
Alarm temperature	57°C class A1
Ingress protection	Depending on base
Relative humidity	\leq 95% RH non-condensing
Temperature range	-25°C to +55°C
Cover material	ABS
Colour	White
Weight	~130 g

Certified according to  0832

For information about suitable base plates, see separate document “Base Matrix Salwico units”.



Note!

Do not remove the dust cover from the detector until all polluting (dusty) activities are finished and the area has been cleaned.