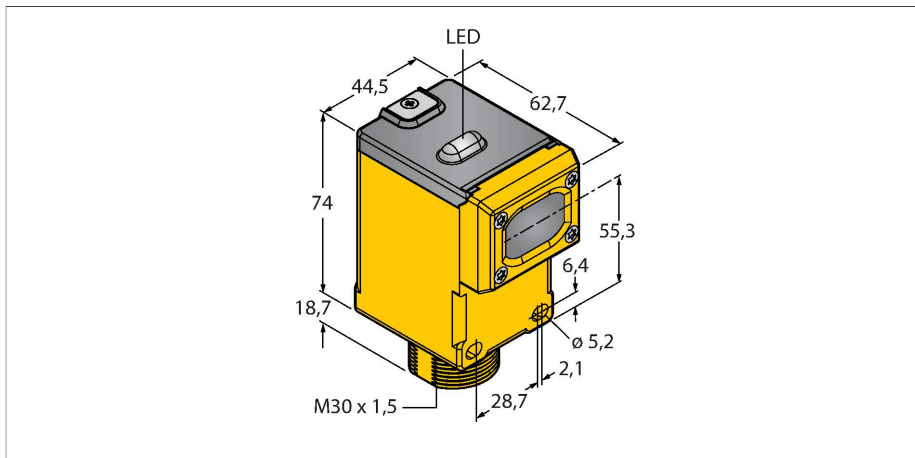


DX80N2Q45D

Radio Transmission System



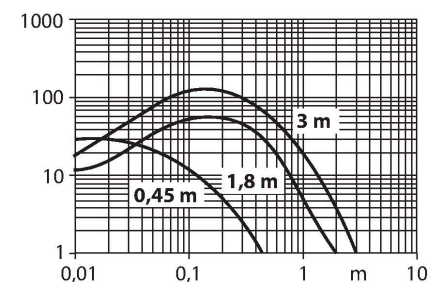
Features

- Protection class IP67
- Mechanical screw-in thread M30 × 1.5
- Integrated diffuse-mode sensor, red light, focal distance 300 mm
- 2.4 GHz frequency band
- Frequency hopping FHSS
- Time division multiplex access - TDMA
- Operating voltage: 3.6...5.5 VDC
- Current consumption: ≤ 100 µA
- Supply via 2x 3.6 V Li-ion AA batteries, supplied with the device

Functional principle

Q45 sensors and DX80 gateway are networked in star topology. Thanks to the integrated battery, they are the first, fully self-sufficiently operating sensors worldwide. No further wiring is necessary. Different types are available. Depending on the type of operation, the battery may last several years. They can be easily integrated into an existing DX80 network.

Excess Gain Curve



Technical data

Type	DX80N2Q45D
ID	3026112
Wireless data	
Type of radio	short-range
Installation	stationary
Topology	Star topology
Function	Proximity switch
Device type	Wireless sensor
Frequency band	2.4 GHz ISM band
Frequency range	2.402...2.483 GHz
Number of radio channels	27
Channel width	2 MHz
Spread spectrum technology	FHSS (Frequency Hopping Spread Spectrum)
Single-Carrier Residence Time	7.8 ms
Response time typical	< 250 ms
Output power ERP	18 dB/65 mW
Output power EIRP	18 dB/65 mW
Range	1...300 mm
I/O data	
Number of channels	1/1
Input type	Discrete (sensor)/counter input
Number of channels	1
Output type	Reset counter
Electrical data	
runs with battery	ja
Operating voltage	3.6...5.5 VDC

Technical data

DC rated operational current	≤ 0.1 mA
Excess gain indication	LED, red
Power-on indication	LED, Green
Mechanical data	
Design	Rectangular, Q45
Dimensions	58.9 x 44.5 x 97.1 mm
Housing material	Plastic, PBT Lexan, Yellow
Antenna connection	Internal (wire loop)
Ambient temperature	-40...+70 °C
Storage temperature	-40...+70 °C
Relative humidity	0...90 %
Protection class	IP67
Tests/approvals	
MTTF	67 years acc. to SN 29500 (Ed. 99) 40 °C
Approvals	CE, cURus, CSA

Accessories

BWA-BATT-006	3017987
Lithium-ion battery, 3.6 VDC, 2400 mAh, AA, GGV UN3090/CL9	