

**SSR 02-118-112-10-H-AC2-DP2-0.5-J12****Measuring Light Curtains**

Measuring Light Curtains

**Compatible Transmitter:**

SST 02-118-112-10-H-1D1-0.5-J5



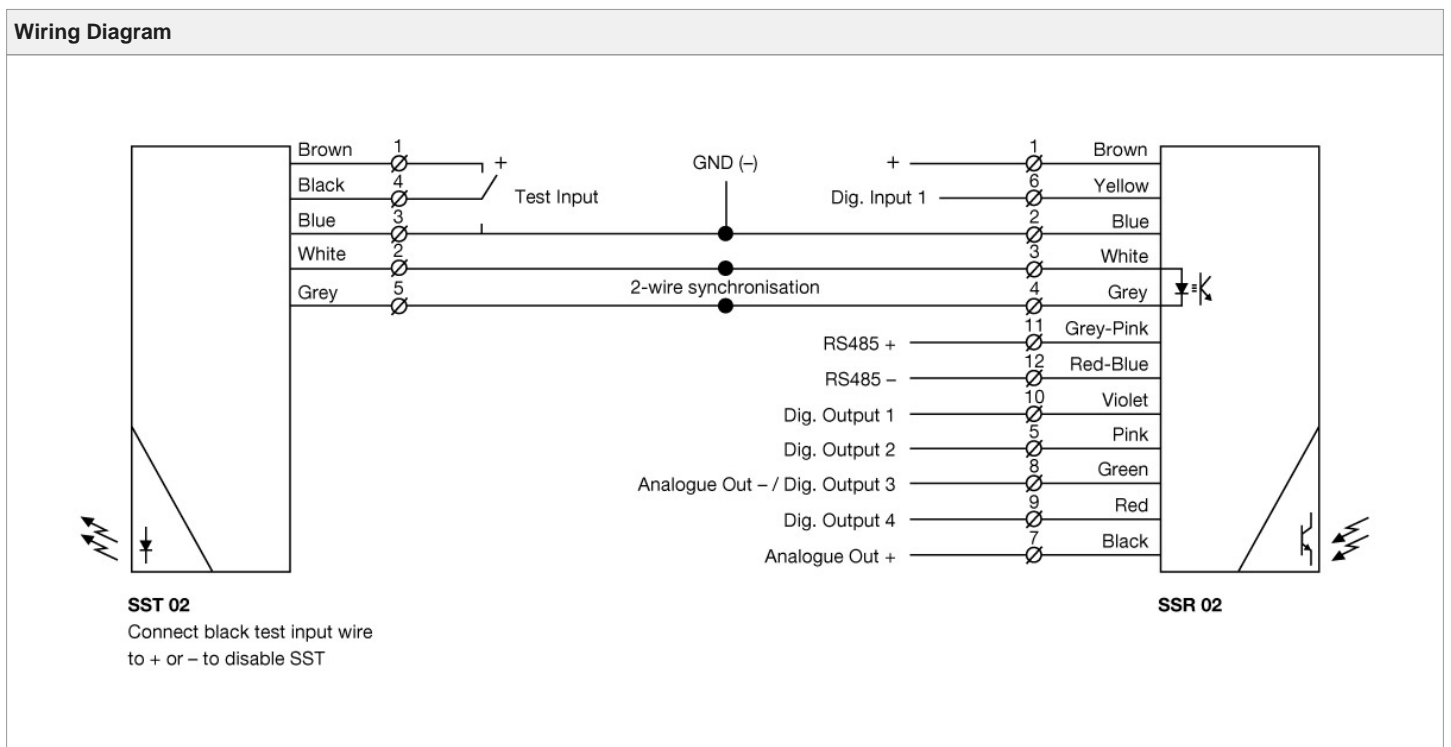
Product Data	
Channel Spacing	10 mm
Function	Receiver
Operation Mode	Thru Beam
Supply Voltage	18 - 30 V dc
Connection	0.5 m cable with 12 pin, M12 plug
Sensing Range	10 m
Output	2 x PNP + Analog. (RS-485)
Output Status	N.C. / N.O.
Length	1180 mm
Active Height	1115 mm
Housing	33 x 36 mm
Features	RS-485 communication port

Technical Data	
Supply Voltage	18 - 30 V dc
Reverse Polarity Protected	Yes
Short Circuit Protected	Yes
Current Consumption	75 mA
Output Type	2 x Digital Output (Transistor) PNP  Analogue Out. 4-20 mA / 0-10 V (2-wires)
Output Rating	Digital Output: 100 mA  Analogue Output: Current <600 Ohm - Voltage >1kOhm
Number of Channels	112
Number of Cross Scanning Beams	334
Number of Parallel Beams	112
Distance, Beams Pinch Point	2,5 mm
Response Time	Beams: Parallel 15,4 ms / Cross 42,1 ms
Power On Indicator	Green LED
Output Indicator	Yellow LED
System Status Indicator	Red LED

Profile Dimensions (w x d)	33 x 36 mm
Housing Material, Front Lens	Polycarbonate
Housing Material, Profile	Aluminium (black anodised)
Cable	12 x 0,2 mm <sup>2</sup>
Cable Sleeve	PVC Ø 5,9 mm

Environmental Data	
Vibration	10 - 55 Hz, 0,5 mm
Shock	30 g
Operation Temperature	-30 to +60 °C
Storage Temperature	-40 to +80 °C
Sealing Class	IP 67
Light Immunity 5°	> 100 000 lux

Approvals

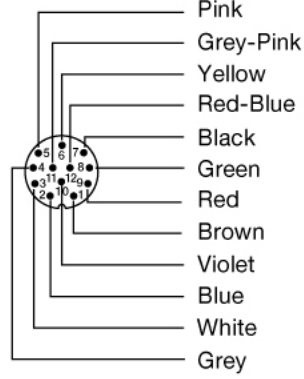



Connections

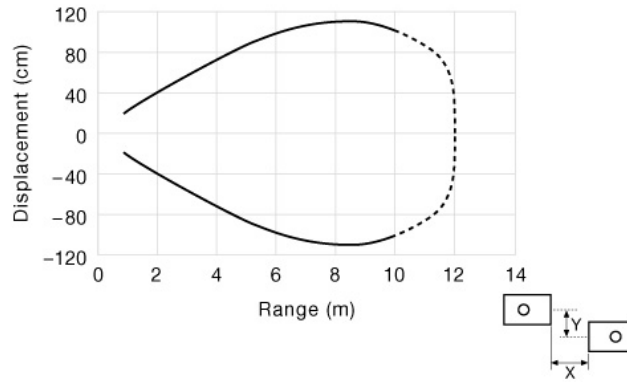
12 pin, M12

Sensor Plug  
(Male)

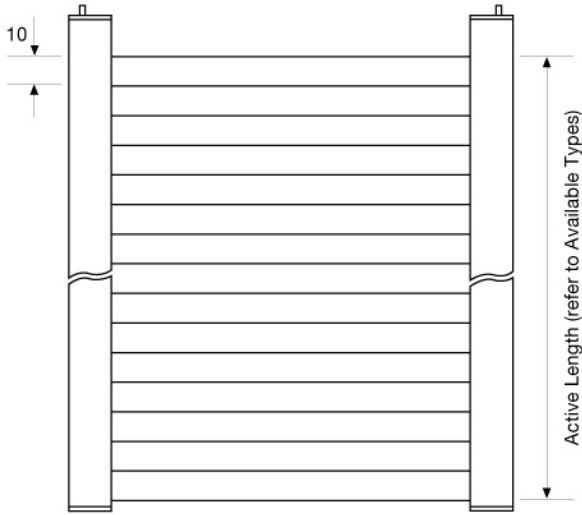
Cable Plug  
(Female)



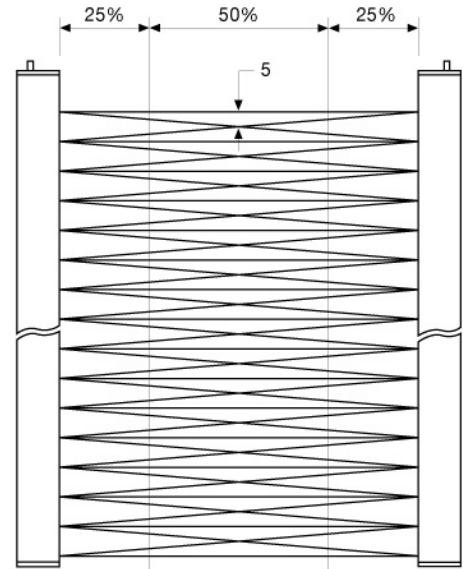
Parallel Displacement



Beam Patterns



Parallel Beams



Cross Beams

10 mm channel spacing

Dimensions

