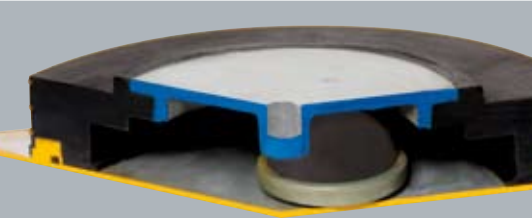


EFFBE



LEVELMOUNT MACHINE SUPPORTS

SLM Series

Construction

Elastomer-metal combination with screwed-on base plate, air chamber made of elastomer reinforced with steel rings, air control with car tyre valve, 10 sizes

Properties

- Low frequency active or passive support
- Vertical and horizontal stiffness approx. 1:1
- Vibration isolation
- Shock absorption
- Structure-borne sound insulation
- Anchor-free installation
- Can function unpressurised
- Load region: 0.2 kN – 100 kN
- Natural frequency (stat.) 3 Hz – 5 Hz
- Natural frequency (stat.) unpressurised 8 Hz

Area of application

Measuring machines, plane tables, foundations, presses, automatic cutting presses, nibbling machines, compressors, fans, air conditioners

Materials

- Elastomer body in CR grade with high elasticity, oil-resistant and non-ageing
- Carrier and base plate: SLM 1 – 12 aluminium, SLM 24 – 192 galvanised steel
- Screw grade 8.8, galvanised

SLM A



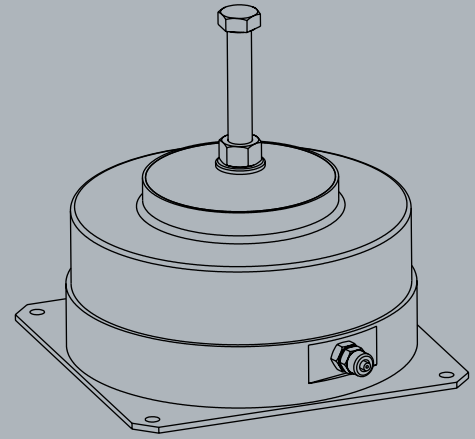
Levelling

Levelling range +/- 5 mm or +/- 6 mm, air-pressure controlled

Accessories

- Automatic levelling control:
- Mechanical-pneumatic version
 - Electro-pneumatic version (Reset time and accuracy programmable)

SLM B



Reduced maintenance due to automatic pressure monitoring

Delivery contents

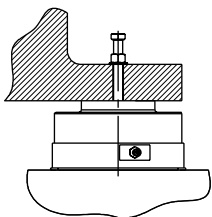
Pneumatic spring element with hexagon head screw

Accessory

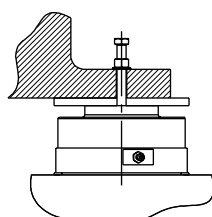
Mounting plate to distribute planar load over full area of element in cases where machine footprint is undersize

Mounting options

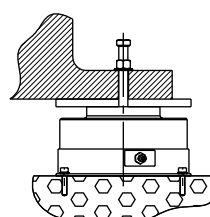
SLM pneumatic spring type



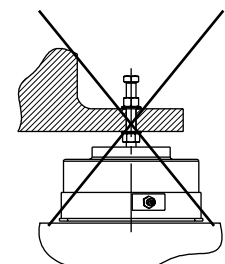
SLM pneumatic spring type with mounting plate for undersize machine foot

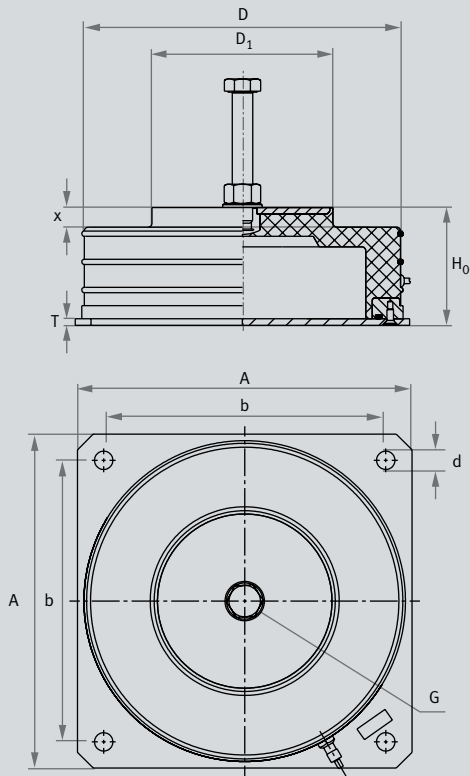


SLM pneumatic spring type with mounting plate, bolted to the floor



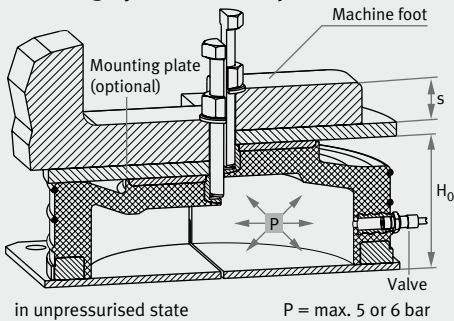
Installation not permissible



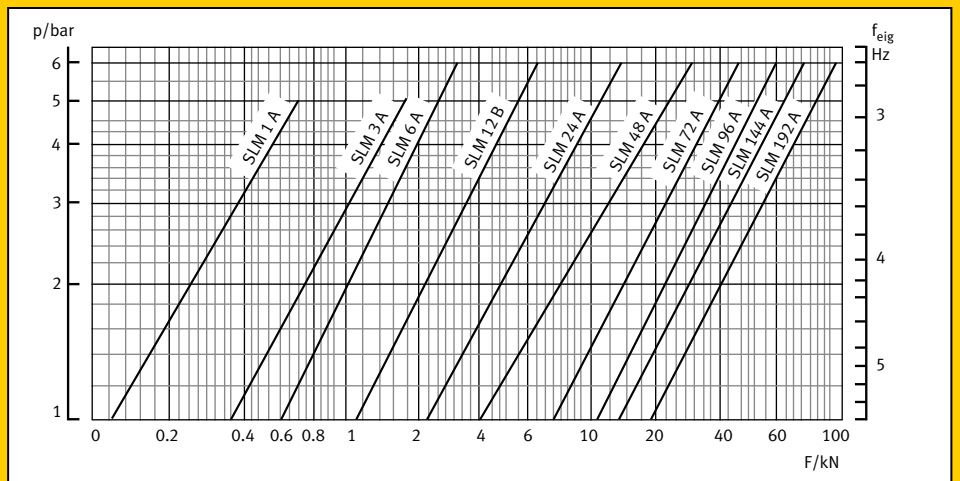


Standard version: hexagon head screw

Leveling by means of air pressure



in unpressurised state P = max. 5 or 6 bar



SLM Series Dimension table Dimensions in mm	D	H ₀	D1	G	L	S Machine base thick- ness (max.)	Ni	X	A	b	d	T	Weight kg	Load (max.) kN
SLM 1 A	73	65	28	M10	80	50	+/- 5	12	75	60	7	3	0.3	0.65
SLM 3 A	105	65	52	M12	90	65	+/- 5	12	105	89	7	3	0.5	1.8
SLM 6 A	127	90	60	M12	90	65	+/- 6	15	130	108	7	3	1.0	2.8
SLM 12 B	172	90	96	M12	90	65	+/- 6	15	175	153	7	3	2.2	6.0
SLM 24 A	245	90	138	M16	100	75	+/- 6	15	255	215	14	5	7.2	13.0
SLM 48 A	338	90	205	M16	100	75	+/- 6	15	343	305	14	5	14.7	26.0
SLM 72 A	380	91	255	M24 x 1.5	140	75	+/- 6	17	385	310	20	6	22.5	38.0
SLM 96 A	468	90	300	M24	130	75	+/- 6	15	470	406	20	6	29.3	55.0
SLM 144 A	550	91	360	M24 x 1.5	140	75	+/- 6	17	555	480	20	6	46.5	76.0
SLM 192 A	610	90	430	M24	130	75	+/- 6	15	610	508	20	6	52.5	100.0

L = Screw length

SLM Series with Damping

Construction

SLM standard pneumatic spring series with integrated viscose damper, 6 sizes

Properties

- Up to 70 % reduction in increased resonance through vertical source isolation
- Use in resonance region permitted
- Load range 3.0 kN – 100 kN
- Natural frequency (stat.) 4 Hz – 7 Hz (see diagrams on the right)

Area of application

Presses, automatic cutting presses, nibbling machines, compressors, packaging systems

Materials

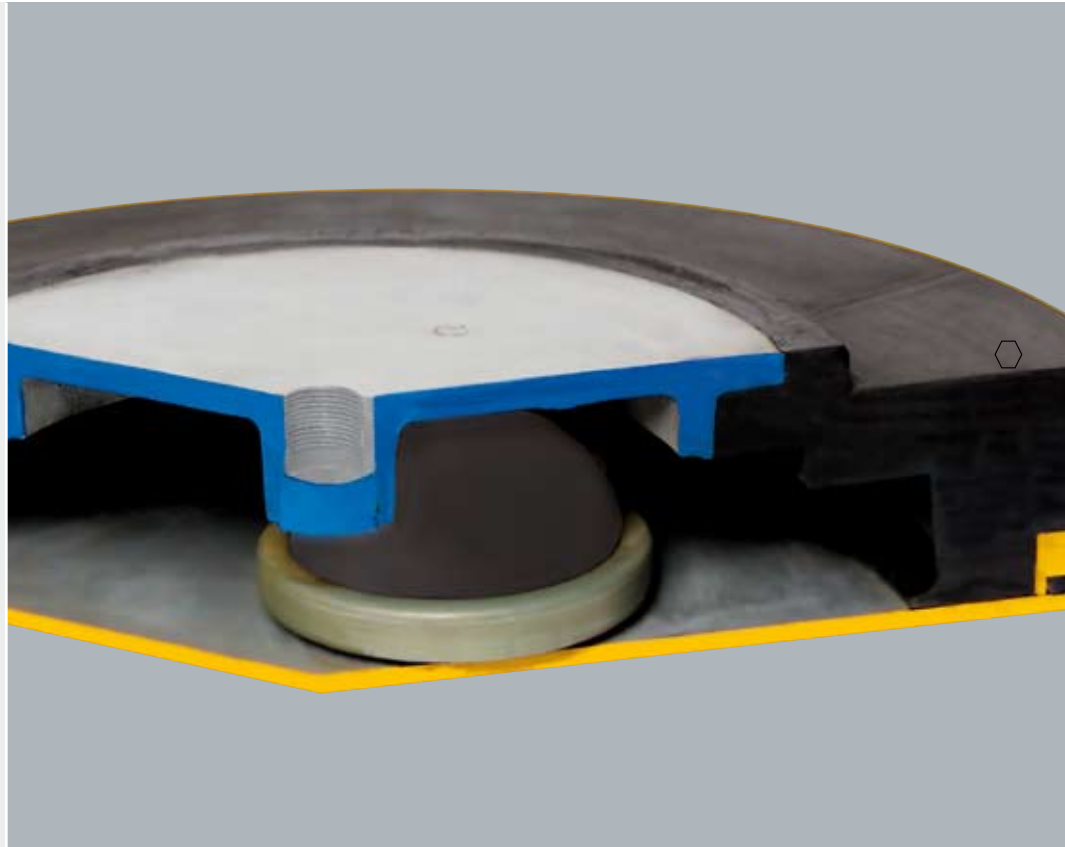
- As standard series SLM
- Damper in elastomer-metal combination with viscose filling

Levelling

Levelling range ± 6 mm, air-pressure controlled

Accessories

Automatic levelling control:
• Mechanical-pneumatic version
• Electro-pneumatic version (Reset time and accuracy programmable)



Reduced maintenance due to automatic pressure monitoring

Delivery contents

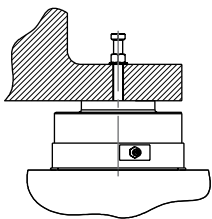
Pneumatic spring element with hexagon head screw

Accessory

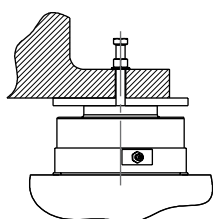
Mounting plate to distribute planar load over full area of element, in cases where machine footprint is undersize (see page 13)

Mounting options

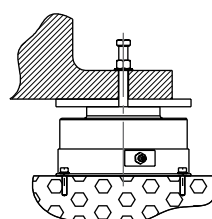
SLM pneumatic spring type



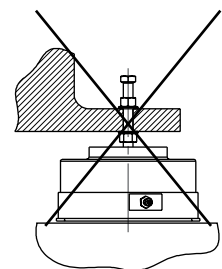
SLM pneumatic spring type with mounting plate for undersize machine foot

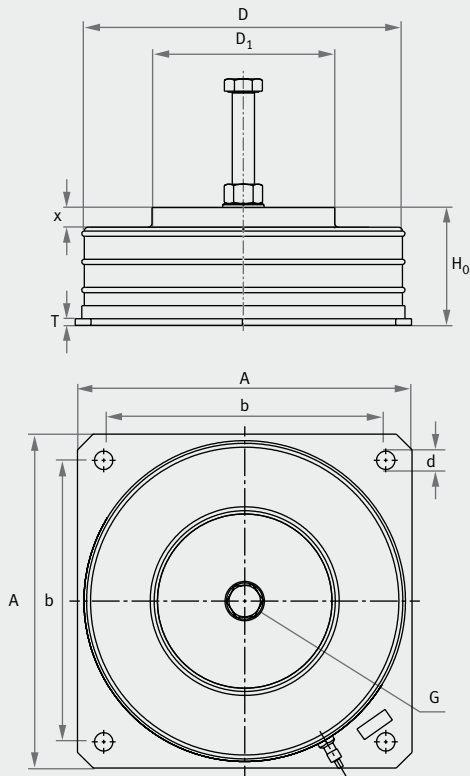


SLM pneumatic spring type with mounting plate, bolted to the floor



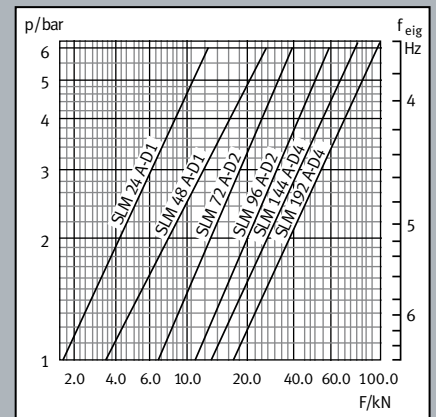
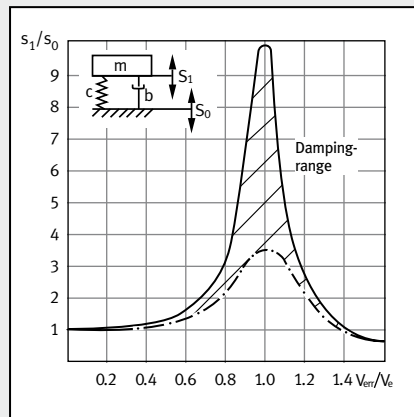
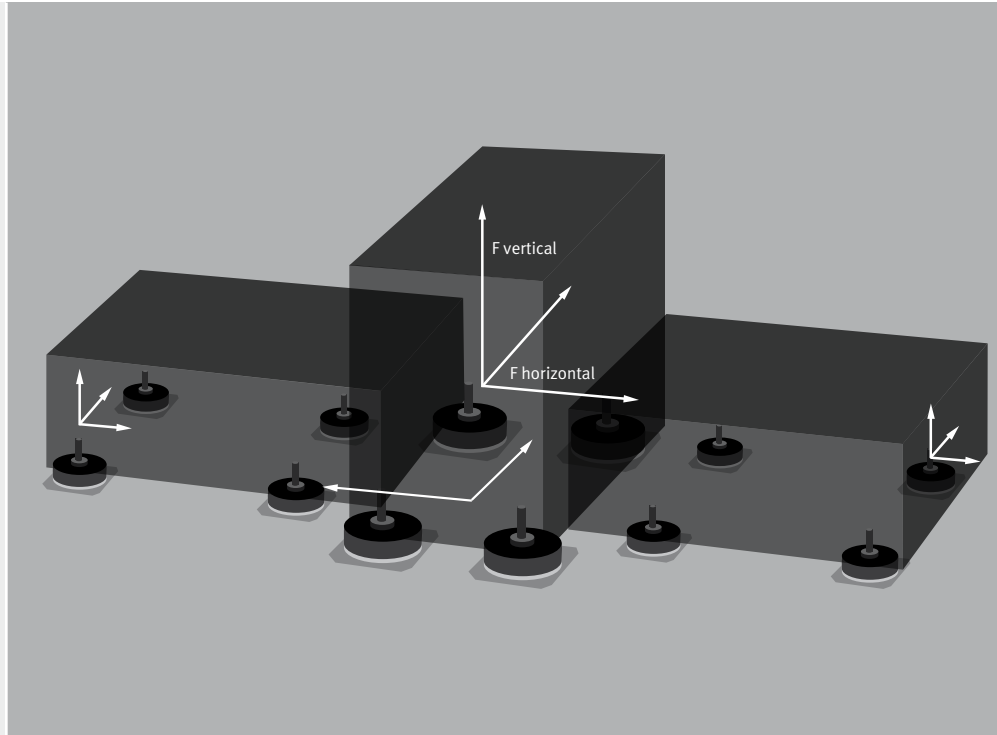
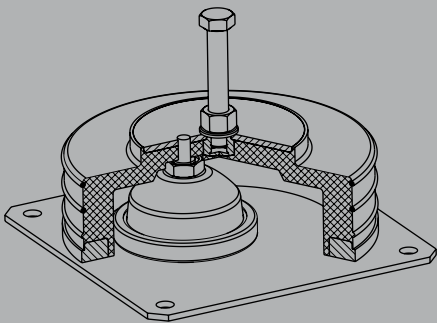
Installation not permissible





Standard version: hexagon head screw

Leveling by means of air pressure



SLM Series Dimension table Dimensions in mm	D	H ₀	D1	G	L	Machine base thick- ness (max.)	Ni	X	A	b	d	T	Weight kg	Load (max.) kN
SLM 24 A – D1	245	90	138	M16	100	75	± 6	15	225	215	14	5	8.2	13.0
SLM 48 A – D1	338	90	205	M16	100	75	± 6	15	343	305	14	5	16.1	26.0
SLM 72 A – D2	380	91	255	M24x1.5	140	75	± 6	17	385	310	20	6	23.9	38.0
SLM 96 A – D2	468	90	300	M24	130	75	± 6	15	470	406	20	6	32	55.0
SLM 144 A – D4	550	91	360	M24x1.5	140	75	± 6	17	555	480	20	6	47.9	76.0
SLM 192 A – D4	610	90	430	M24	130	75	± 6	15	610	508	20	6	57.9	100.0



Worldwide representation

Europe

- Austria
- Belarus
- Belgium
- Bulgaria
- CIS
- Croatia
- Czech Republic
- Denmark
- France
- Germany
- Great Britain
- Greece
- Hungary
- Italy
- Netherlands
- Poland
- Portugal
- Romania
- Russia
- Serbia
- Slovakia
- Slovenia
- Spain
- Sweden
- Switzerland
- Turkey

Effbe GmbH

Hanauer Landstraße 16
 63628 Bad Soden-Salmünster
 Germany
 Phone: +49 (0) 6056 78 74 00
 Fax: +49 (0) 6056 78 79 66
 E-mail: info@effbe.de
 Internet: www.effbe.de

Sales office Germany

Planiestraße 11
 71063 Sindelfingen
 Germany
 Phone: +49 (0) 7031 81 50 60
 Fax: +49 (0) 7031 87 56 99
 E-mail: info@effbe.de
 Internet: www.effbe.de

Member of the Woco Group

www.wocogroup.com



ELASTOMER SPRINGS



PNEUMO



DIAPHRAGM SPRING

America

- Argentina
- Brazil
- Chile
- Mexico
- USA

Asia

- China
- India
- Iran
- Korea
- Malaysia
- Pakistan
- Thailand

Africa

- Algeria
- Egypt
- Libya
- Morocco
- Tunisia

