

# Isolation Amplifier

## AD-TV 1 GX

### Description

The isolation amplifier AD-TV 1 GX, with a construction width of only 6.2 mm, serves the galvanic separation of DC voltage signals. The output signal follows linear the input variable and is, up to a limiting value, independent of the connected burden (0-10 VDC, 1:1 input/output). Due to the narrow design, a high packing density is achieved. In combination with a DIN rail connector, the wiring is considerably reduced.

### Application

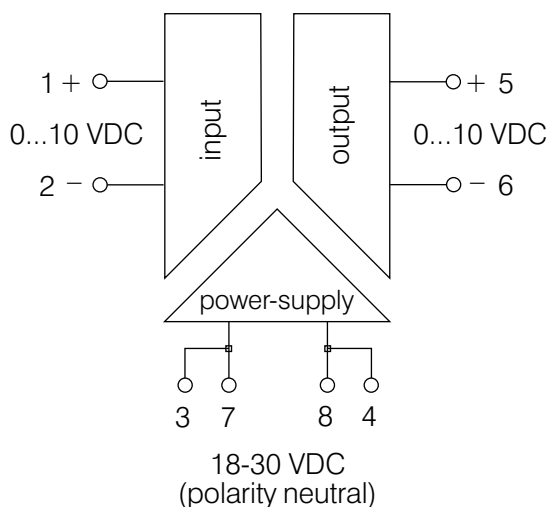
Burden amplification and galvanic disconnection of impressed DC voltage signals.

### Specification

construction	1-channel switchboard housing 6,2 x 92 x 101 mm (WxHxD)
power-supply	18-30 VDC
power-consumption	max. 850 mW (dependent upon signal)
input	0-10 VDC
input impedance	100 kOhm
output	0-10 VDC 1:1 to the input signal
output load	min. 500 Ohm with 10VDC
accuracy	0,1% of full scale
linearity error	max. 0,1% of full scale
response time	< 50 ms (10-90%)
ripple	< 0,1%
ambient-temperature	0-50°C
effect of temperature	< 70 ppm/K
insulation test voltage	1,5kV, 50Hz (1 min. all isolating distances)
protective systems	against pulsed over-voltage, over-current and polarity reversal
EMC	
Product family standard	EN 61326
Emitted interference	EN 55011, CISPR11 Cl. A industry
Electrical safety requirements	
Product family standard	EN 61010-1
connection technology	adapted for DIN rail connector for bridging the power-supply

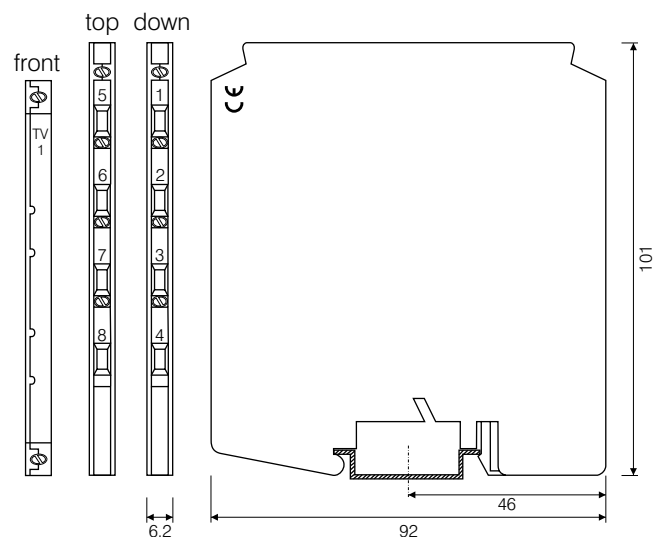


### Connections and dimensions: AD-TV 1 GX



weight max. 70 g  
protection: IP 20  
manner of fastening:  
attachment rail: NS35/7,5

connection data:  
fine-wire: 2,5 mm<sup>2</sup>  
single-wire: 4 mm<sup>2</sup>



Printed 05.05.2013. We reserve the right for technical changes



**ADAMCZEWSKI**  
Elektronische Messtechnik GmbH

Felix-Wankel-Str. 13  
Tel. +49 (0)7046-875  
vertrieb@ad-messtechnik.de

74374 Zaberfeld  
Fax +49 (0)7046-7678  
www.adamczewski.com