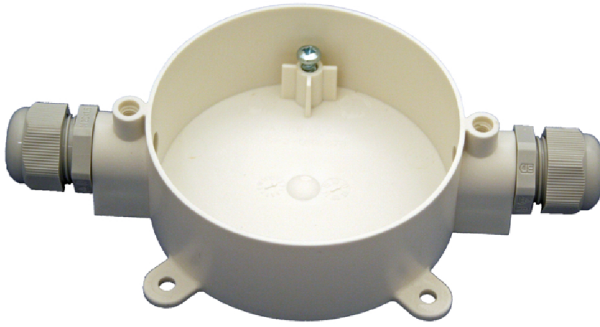


Detector Base

Salwico 2IP55

Part no. 046950



G003843

System: All Salwico fire alarm systems

General Description

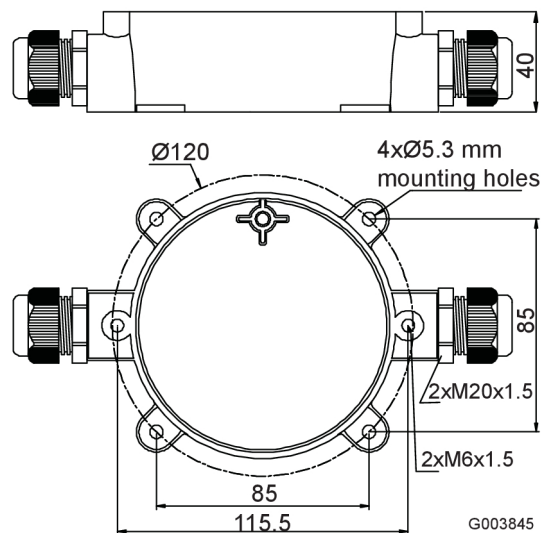
The 2IP55 is a base for all Salwico IP55 detector adapters.

Together with the adapters it is possible to install smoke, heat and flame detectors in harsh environment with an ingress protection up to IP55. It can be used for both addressable and conventional fire alarm systems.

Data

Cable diameter	Ø8-13 mm
Ingress protection	IP55
Fire class	V1
Temperature range	-30°C to +100°C
Material	Polyamide/glass (PA666, 15% GW)
Colour	White
Weight	~100 g

Dimensions (mm)



G003845