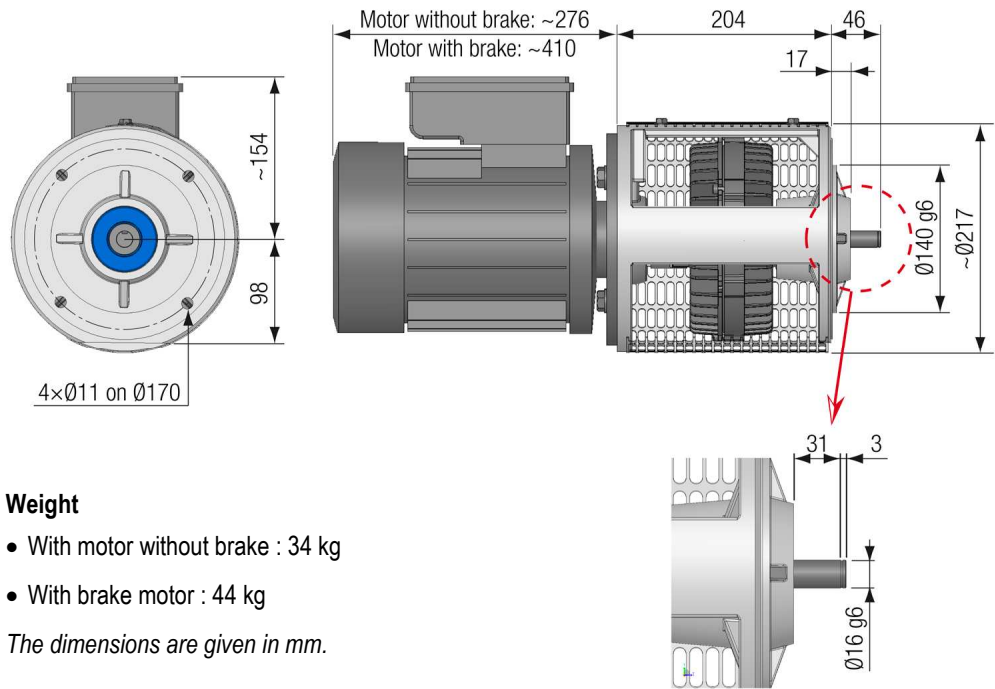
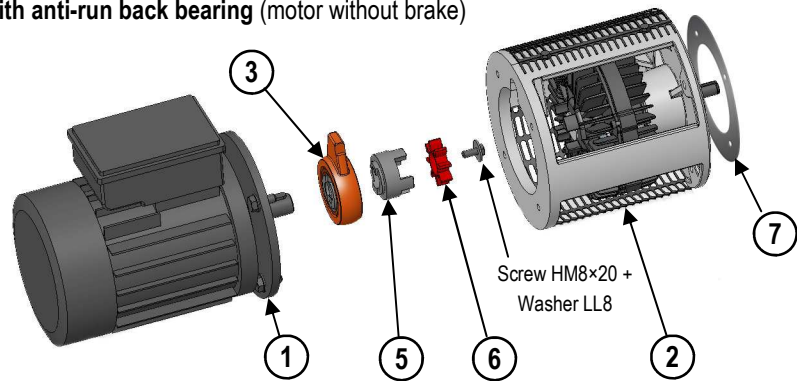


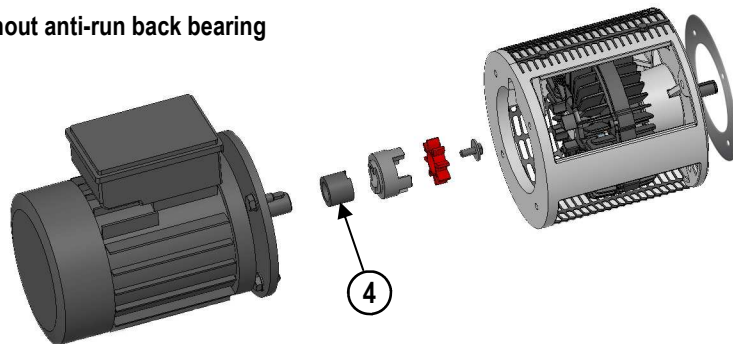
Overall dimensions and weight



Mounting Mounting with anti-run back bearing (motor without brake)



Mounting without anti-run back bearing



7	1	Joint Ø189 x Ø 141 x 0,8
6	1	Elastic coupling ring
5	1	Coupling hub
4	1	Spacer (if mounting without anti-run back bearing)
3	1	Anti-run back bearing
2	1	Coupler Cn
1	1	Motor 1,5 kW
Item	Qty	Description

NOTICE D'INFORMATION TECHNIQUE

TECHNICAL INFORMATION LEAFLET



Cn Moto coupler
Moto coupleur type Cn

4 40N133

1/3

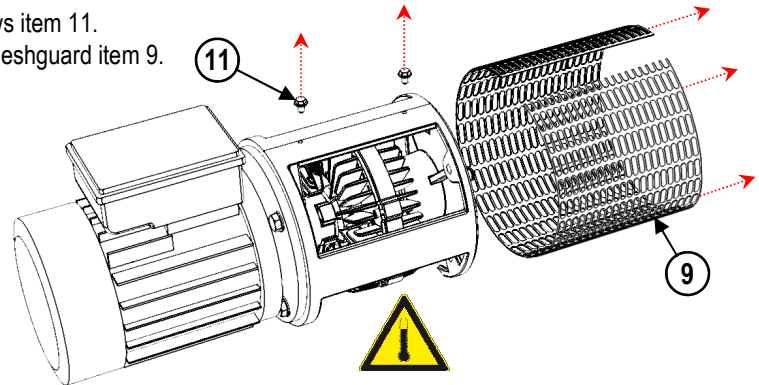
03/12



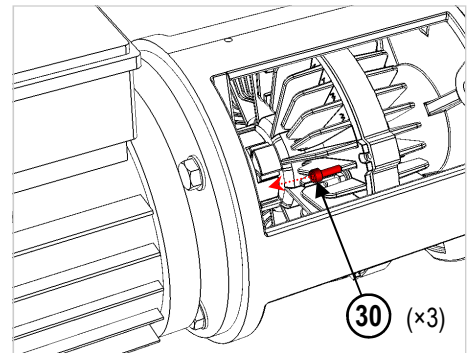
Note: Bolts and nuts are assembled using LOCTITE 243 thread-locking product.

The coupler is adjusted in our factory, according to the installation parameters given by the customer. If one of these parameters changes or if a lack or an excessive torque is noticed (under-pull or over-pull on the cable), it is necessary to re-adjust the coupler.

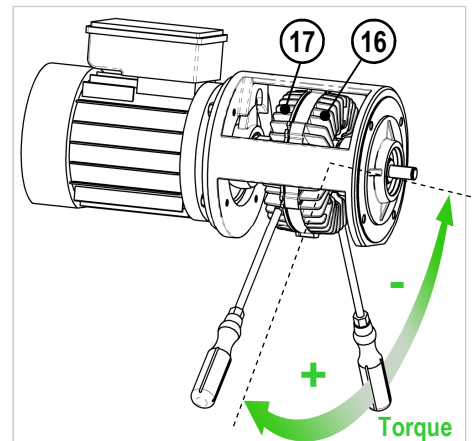
1. Withdraw the 2 screws item 11.
Remove the safety meshguard item 9.



2. Withdraw the 3 locking screws item 30.



3. Hold in position the flange item 17 using a screwdriver placed between the blades.
Screw (+ torque) or unscrew (- torque) the flange item 16 using an other screwdriver placed between the blades.
⇒ $1/6^e$ of turn ~ 0,05 m.daN



Remark

If you don't know the original adjustment parameters:

Screw the flange item 16 up to the mechanical stop.

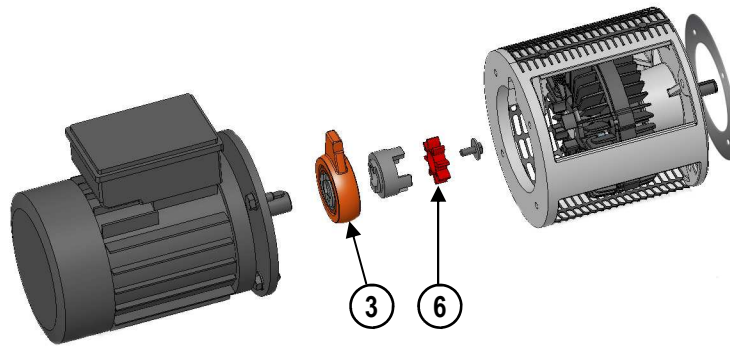
*This position corresponds to **Co = 0,60 m.daN***

Unscrew by pitch of $1/6^e$ of turn (~0,05 m.daN) up to obtain the good adjustment.

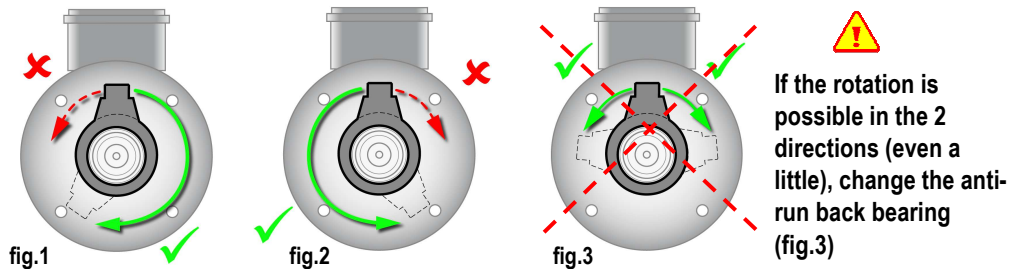
Re-adjust if necessary.

4. Remove the screwdrivers.
Clean the screws and make the operations 2 and 1 (in this order) for re-assembling.
The screws must be coat with LOCTITE 243 thread-locking product.

Maintenance Frequency according to general instructions manual.



- Check the coupling ring item 6.
If the coupling ring shows signs of use or cracking or if there is a clearance regarding the coupling hub item 5, change the coupling ring.
- Check the good condition of the anti-run back bearing item 3 :
Remove the motor to access to the anti-run back bearing.
The rotation must be possible in only one direction. (fig.1 or fig.2)



Spare parts • Please indicate the cable reel number.

- MOTORCOUPLING type Cn

Motorcoupling with brake	47C0026/2
Motorcoupling without brake, with anti-run back bearing	47C0026/1
Motorcoupling without brake, without anti-run back bearing	47C0026/3
Description	Reference

- COUPLER type Cn | Spare parts kit including:
 - screws and bolts for mounting of the motor
 - screws, bolts and joint for mounting on the gear box
 - elastic coupling ring
 - circlips and pinion drive key.

•	Coupler type Cn without motor, without anti-run back bearing.	450N066/1
1 st emergency	Description	Reference

- OTHERS

	Joint Ø189 x Ø141 x 0,8	4J10033
	Coupling hub	4 23336 11
	Spacer (without anti-run back bearing)	1543081
	Motor 1,5 kW	4T02005
•	Elastic coupling ring	121082
•	Anti-run back bearing	4 01112 40
1 st emergency	Description	Reference

NOTICE D'INFORMATION TECHNIQUE

TECHNICAL INFORMATION LEAFLET



DELACHAUX GROUP

Cn Moto coupler

Moto coupleur type Cn

4 40N133

3/3

03/12