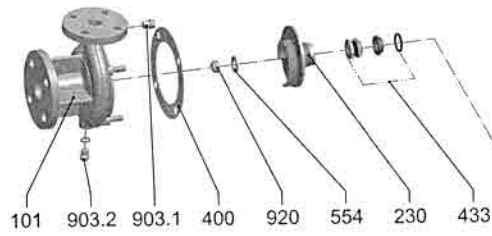
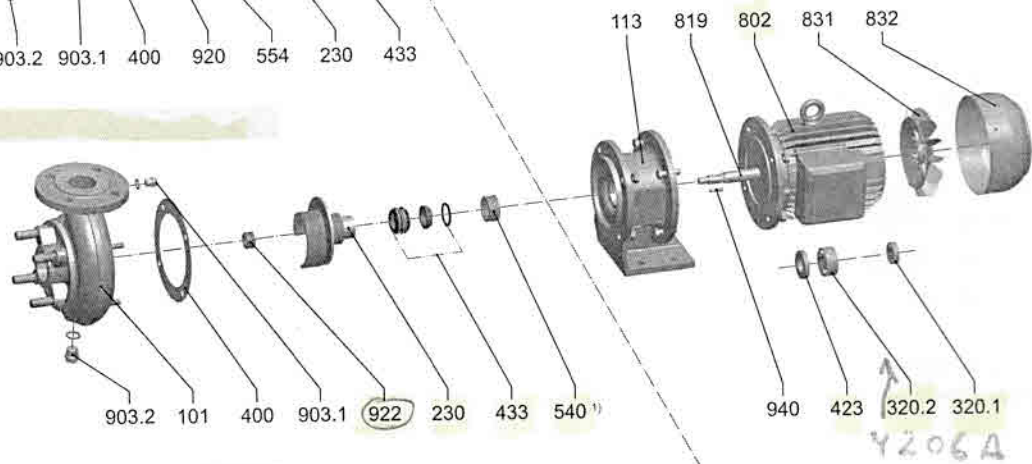


1.2 Exploded view

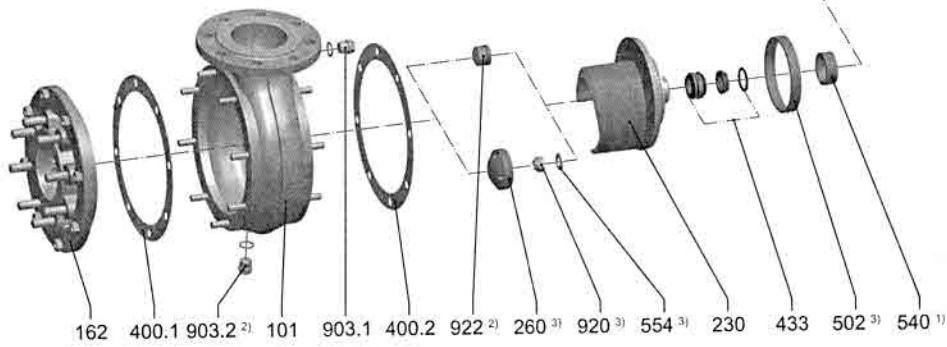
DN 25



DN 50

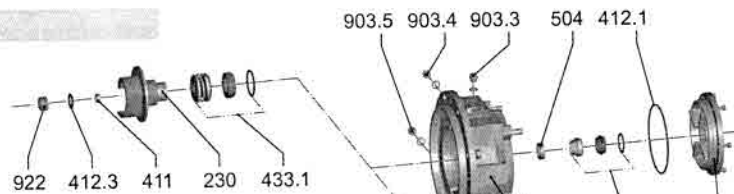


DN 80 / DN 100



Special construction: double-acting mechanical seal

DN 50 / DN 80



DN 100

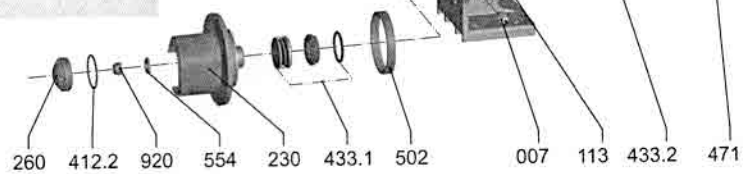


Figure 1 Exploded view

- 1) only available for: 1/K50, 2/HK50, 3/HK50, 3/K80, 4/HK80, 5,5/HK80, 15/HK80, 20/HK80, QSH101
- 2) DN 80
- 3) DN 100

Individual components

007	Seal electrode
101	Pump casing
113	Intermediate casing
162	Suction cover
230	Impeller
260	Impeller cap
320.1	Anti-friction bearing (non drive side)
320.2	Anti-friction bearing (drive side)
400	Gasket
400.1	Gasket
400.2	Gasket
411	Joint ring
412.1	O-ring
412.2	O-ring
412.3	O-ring
423	Labyrinth ring
433	Mechanical seal
433.1	Mechanical seal
433.2	Mechanical seal
471	Seal cover
502	Casing wear ring
504	Spacer ring
540 ¹⁾	Bush
554	Washer
802	Block motor
819	Motor shaft
831	Fan
832	Fan hood
903.1	Screwed plug
903.2	Screwed plug
903.3	Screwed plug
903.4	Screwed plug
903.5	Screwed plug
920	Nut
922	Impeller nut
940	Key

1.3 Wear parts

The specifications relating to the selection of wear parts are based on the demand for a two-year operation in accordance with DIN 24296.

Wear parts (if available)	Number of pumps							
	1	2	3	4	5	6-7	8-9	10-...
Impeller	1	1	1	1	2	2	2	20%
Suction cover	1	1	1	1	2	2	2	20%
Mechanical seal set	1	1	1	2	2	2	3	25%
Anti-friction bearing set	1	1	1	2	2	2	3	25%
Labyrinth ring	1	1	1	2	2	2	3	25%
Casing wear ring/bush	1	2	2	2	3	3	4	50%
Seal set	2	4	6	8	8	9	12	150%

¹⁾ only available for: 1/K50, 2/HK50, 3/HK50, 3/K80, 4/HK80, 5.5/HK80, 15/HK80, 20/HK80, QSH101