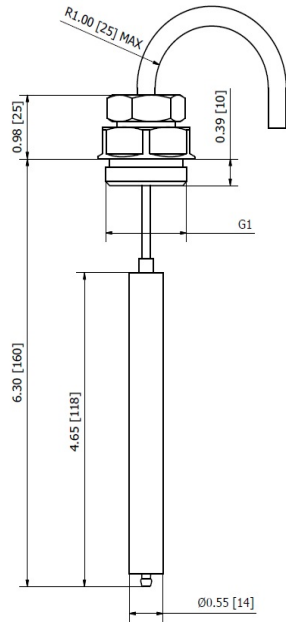
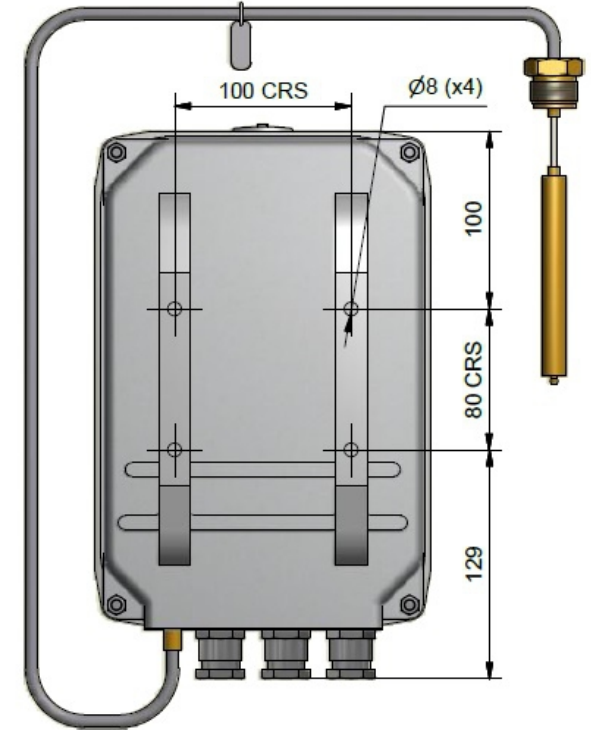
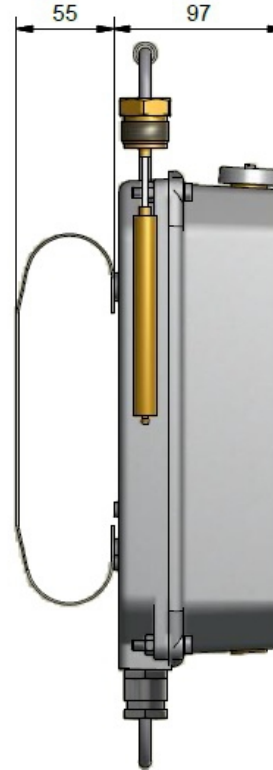
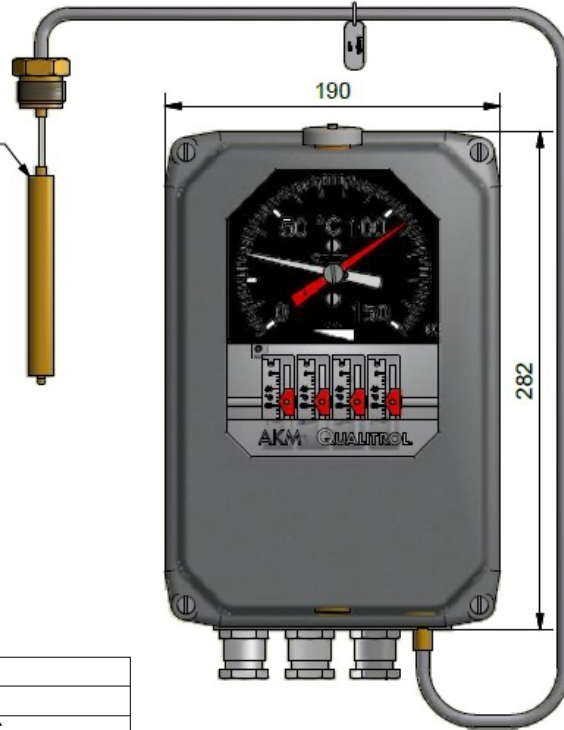


**NOTICE**  
 THIS DRAWING IS THE PROPERTY OF QUALITROL/QUALITROL AKM AND IS LOANED ONLY ON THE CONDITION THAT IT WILL BE USED TO FACILITATE THE PURPOSE FOR WHICH INTENDED AND NOT BE REPRODUCED, COPIED OR OTHERWISE DISPOSED OF, AND IS NOT TO BE USED IN WHOLE OR PART FOR FURNISHING INFORMATION RELATIVE TO THE MAKING OF DRAWINGS, PARTS APPARATUS OR PARTS THEREOF, EXCEPT BY WRITTEN ORDER FROM QUALITROL/QUALITROL AKM.

**MODEL NO.** AKM345-00249249

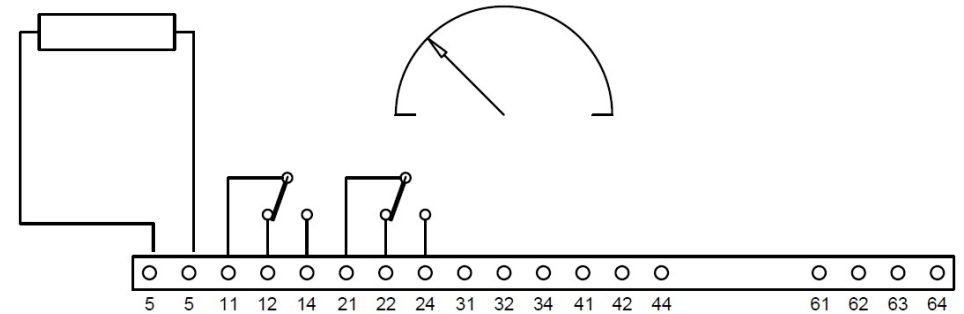


SEE PROBE  
 DETAIL



Thermometer Style	34 OTI
Number of Switches	2
Dial Range	05 = -20-130C
Probe Type	15
Capillary Length	6
Switch Type	STD SWITCH
Remote Indication	NONE
Protection Class	IP54
Case Finish	RAL7000
Captive Hardware	YES (FIXED)
Lens Material	POLYCARBONATE
Label	46894 OTI
Mounting	STD MOUNTING
Matching Resistance	NONE
Measuring Accuracy	STANDARD
Adjustable Differential	NONE
Switching Differential	STANDARD
Probe Connection	STANDARD
Capillary	STANDARD (SS)
Cable Entry	PG16

**NOTES:**  
**CASING:** DIE CAST ALUMINIUM  
**INSULATION TEST:** 2000V 50Hz TO EARTH 60 s  
**AMBIENT TEMP. RANGE:** -40°C TO 70°C  
**CAPILLARY TUBING:** COPPER-NICKEL ALLOY WITH STAINLESS STEEL SHEATHING.  
**DIAL COLOR:** WHITE CHARACTERS ON BLACK BACKGROUND.  
**MAX POINTER COLOR:** RED



**QUALITROL. AKM**

Qualitrol and Qualitrol AKM are ISO 9001 system certified companies. Information subject to change without notice.

**TITLE:** Oil / Winding Temperature Indicator

**MODEL NO.** AKM345-00249249

LET	DATE	ALTERATION	C.N.
-	20/11/19	CONFIGURED	-