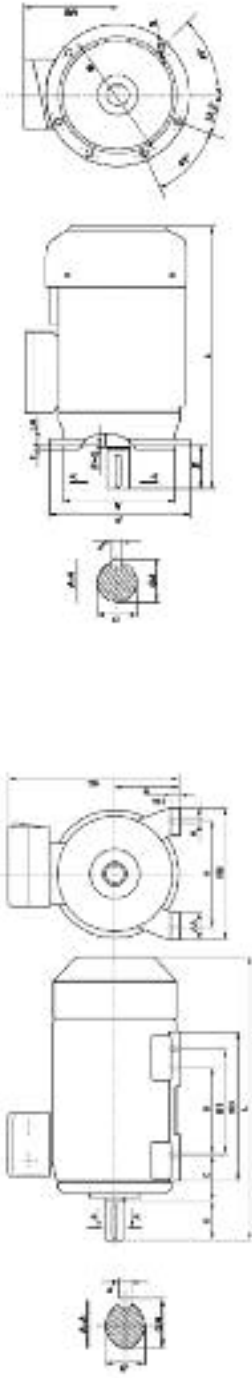




Drehstrommotoren mit Käfigläufer

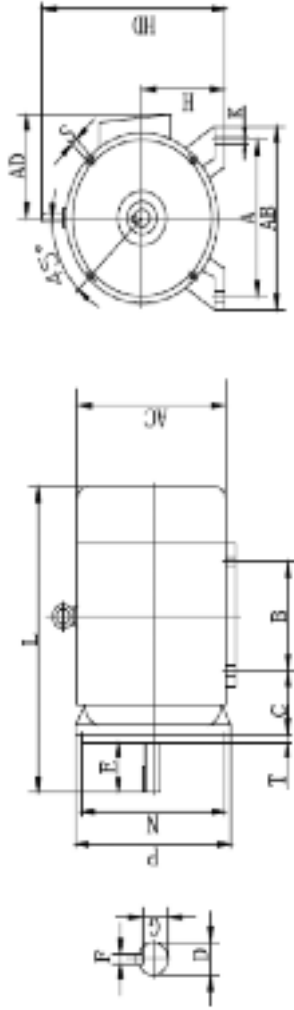


| Baugröße | Wellenende | | | | | | | | | | Flansch B5 | | | | | Flansch B14 groß | | | | | Flansch B14 klein | | | | |
|-------------------|------------|-----|-----|-----|-----|-----|------|-----|----|-----|------------|-----|--------|----|-----|------------------|-----|-----|-----|-----|-------------------|-----|-----|---|---|
| | A | B | B1 | AB | BB | H | L | HD | K | C | D | E | GA | F | P | M | N | P | M | N | P | M | N | P | M |
| 3SIE 80-A | 125 | 100 | - | 160 | 130 | 80 | 278 | 199 | 10 | 50 | 19 | 40 | 21,50 | 6 | 200 | 165 | 130 | 160 | 130 | 110 | 120 | 100 | 80 | | |
| 3SIE 80-B | 125 | 100 | - | 160 | 130 | 80 | 306 | 199 | 10 | 50 | 19 | 40 | 21,50 | 6 | 200 | 165 | 130 | 160 | 130 | 110 | 120 | 100 | 80 | | |
| 3SIE 90S-2 | 140 | 100 | 125 | 170 | 153 | 90 | 331 | 228 | 10 | 56 | 24 | 50 | 27,00 | 8 | 200 | 165 | 130 | 160 | 130 | 110 | 140 | 115 | 95 | | |
| 3SIE 90L-2,6 | 140 | 125 | 125 | 170 | 153 | 90 | 356 | 228 | 10 | 56 | 24 | 50 | 27,00 | 8 | 200 | 165 | 130 | 160 | 130 | 110 | 140 | 115 | 95 | | |
| 3SIE 90S-4,6 | 140 | 125 | 125 | 170 | 153 | 90 | 356 | 228 | 10 | 56 | 24 | 50 | 27,00 | 8 | 200 | 165 | 130 | 160 | 130 | 110 | 140 | 115 | 95 | | |
| 3SIE 90L-4 | 140 | 125 | 125 | 170 | 153 | 90 | 376 | 228 | 10 | 56 | 24 | 50 | 27,00 | 8 | 200 | 165 | 130 | 160 | 130 | 110 | 140 | 115 | 95 | | |
| 3SIE 100L-2,6 | 160 | 140 | - | 197 | 174 | 100 | 377 | 250 | 12 | 63 | 28 | 60 | 31,00 | 8 | 250 | 215 | 180 | 200 | 165 | 130 | 160 | 130 | 110 | | |
| 3SIE 100L-4A,4B | 160 | 140 | - | 197 | 174 | 100 | 421 | 250 | 12 | 63 | 28 | 60 | 31,00 | 8 | 250 | 215 | 180 | 200 | 165 | 130 | 160 | 130 | 110 | | |
| 3SIE 112M-2,4,6 | 190 | 140 | - | 230 | 174 | 112 | 416 | 276 | 12 | 70 | 28 | 60 | 31,00 | 8 | 250 | 215 | 180 | 200 | 165 | 130 | 160 | 130 | 110 | | |
| 3SIE 132S | 216 | 140 | 178 | 266 | 220 | 132 | 512 | 329 | 12 | 89 | 38 | 80 | 41,00 | 10 | 300 | 265 | 230 | 250 | 215 | 180 | 200 | 165 | 130 | | |
| 3SIE 132M | 216 | 178 | 178 | 266 | 220 | 132 | 329 | 329 | 12 | 89 | 38 | 80 | 41,00 | 10 | 300 | 265 | 230 | 250 | 215 | 180 | 200 | 165 | 130 | | |
| 3SIE 160M | 254 | 210 | 254 | 320 | 300 | 160 | 643 | 383 | 15 | 108 | 42 | 110 | 45,00 | 12 | 350 | 300 | 250 | | | | | | | | |
| 3SIE 160L | 254 | 254 | 254 | 320 | 300 | 160 | 643 | 383 | 15 | 108 | 42 | 110 | 45,00 | 12 | 350 | 300 | 250 | | | | | | | | |
| 3SIE180M-2,4 | 279 | 241 | 279 | 353 | 320 | 180 | 758 | 414 | 15 | 121 | 48 | 110 | 51,50 | 14 | 350 | 300 | 250 | | | | | | | | |
| 3SIE 180L-4,6 | 279 | 279 | 279 | 353 | 320 | 180 | 758 | 414 | 15 | 121 | 48 | 110 | 51,50 | 14 | 350 | 300 | 250 | | | | | | | | |
| 3SIE 200 | 318 | 305 | - | 400 | 380 | 200 | 850 | 520 | 19 | 133 | 55 | 110 | 59,00 | 16 | 400 | 350 | 300 | | | | | | | | |
| 3SIE 225S-4 | 356 | 286 | 311 | 440 | 380 | 225 | 930 | 570 | 19 | 149 | 60 | 140 | 64,00 | 18 | 450 | 400 | 350 | | | | | | | | |
| 3SIE 225M-2 | 356 | 286 | 311 | 440 | 380 | 225 | 900 | 570 | 19 | 149 | 55 | 110 | 59,00 | 16 | 450 | 400 | 350 | | | | | | | | |
| 3SIE 225M4-6 | 356 | 286 | 311 | 440 | 380 | 225 | 930 | 570 | 19 | 149 | 60 | 140 | 64,00 | 18 | 450 | 400 | 350 | | | | | | | | |
| 3SIE 250M-2 | 406 | 349 | - | 480 | 445 | 250 | 1010 | 635 | 24 | 168 | 60 | 140 | 64,00 | 18 | 550 | 500 | 450 | | | | | | | | |
| 3SIE 250M4-6 | 406 | 349 | - | 480 | 445 | 250 | 1040 | 635 | 24 | 168 | 65 | 140 | 69,00 | 18 | 550 | 500 | 450 | | | | | | | | |
| 3SIE 280S-2 | 457 | 368 | 419 | 550 | 520 | 280 | 1135 | 720 | 24 | 190 | 65 | 140 | 69,00 | 18 | 550 | 500 | 450 | | | | | | | | |
| 3SIE 280S4-6 | 457 | 368 | 419 | 550 | 520 | 280 | 1135 | 720 | 24 | 190 | 75 | 140 | 79,50 | 20 | 550 | 500 | 450 | | | | | | | | |
| 3SIE 280M-2 | 457 | 368 | 419 | 550 | 520 | 280 | 1135 | 720 | 24 | 190 | 65 | 140 | 69,00 | 18 | 550 | 500 | 450 | | | | | | | | |
| 3SIE 280M4-6 | 457 | 368 | 419 | 550 | 520 | 280 | 1135 | 720 | 24 | 190 | 75 | 140 | 79,50 | 20 | 550 | 500 | 450 | | | | | | | | |
| 3SIE 315S 2 | 508 | 406 | 457 | 610 | 565 | 315 | 1235 | 805 | 28 | 216 | 65 | 140 | 69,00 | 18 | 660 | 600 | 550 | | | | | | | | |
| 3SIE 315S4-6 | 508 | 406 | 457 | 610 | 565 | 315 | 1265 | 805 | 28 | 216 | 80 | 170 | 85,00 | 22 | 660 | 600 | 550 | | | | | | | | |
| 3SIE 315 M2A,B | 508 | 406 | 457 | 610 | 565 | 315 | 1235 | 805 | 28 | 216 | 65 | 140 | 69,00 | 18 | 660 | 600 | 550 | | | | | | | | |
| 3SIE 315M4A,B,6A | 508 | 406 | 457 | 610 | 565 | 315 | 1265 | 805 | 28 | 216 | 80 | 170 | 85,00 | 22 | 660 | 600 | 550 | | | | | | | | |
| 3SIE 355 ML (2) | 610 | 560 | 630 | 720 | 890 | 355 | 1580 | 935 | 28 | 254 | 80 | 170 | 85,00 | 22 | 800 | 740 | 680 | | | | | | | | |
| 3SIE 355 ML (4,6) | 610 | 560 | 630 | 720 | 890 | 355 | 1620 | 935 | 28 | 254 | 100 | 210 | 106,00 | 28 | 800 | 740 | 680 | | | | | | | | |

| Wälzlagergröße | Für Motor 3SIE | | Wälzlagergröße | |
|----------------|----------------|------------|------------------------------|---------------------------|
| | Bau- größe | Polzahl | Antriebs-Seite /AS-Lager/ | Gegen-Seite /BS-Lager/ |
| 80 | 2, 4, 6 | 2, 4, 6, 8 | 6204 ZZ | |
| 90 | 2, 4, 6, 8 | 2, 4, 6, 8 | 6205 ZZ | |
| 100 | 2, 4, 6, 8 | 2, 4, 6, 8 | 6206 ZZ | |
| 112 | 2, 4, 6, 8 | 2, 4, 6, 8 | 6306 ZZ | |
| 132 | 2 | 2 | 6308 ZZ | |
| | 4, 6, 8 | 4, 6, 8 | 6308 Z | |
| 160 | 2, 4, 6, 8 | 2, 4, 6, 8 | 6309 Z | |
| 180 | 2, 4, 6, 8 | 2, 4, 6, 8 | 6311 | |
| 200 | 2 | 2 | 6312-C3 | |
| | 4, 6, 8 | 4, 6, 8 | NU312-C3 | 6312-C3 |
| 225 | 2 | 2 | 6313-C3 | 6313-C3 |
| | 4, 6, 8 | 4, 6, 8 | NU313-C3 | 6313-C3 |
| 250 | 2 | 2 | 6315-C3 | 6315-C3 |
| | 4, 6, 8 | 4, 6, 8 | NU315-C3 | 6315-C3 |
| 280 | 2 | 2 | 6318-C3 | 6318-C3 |
| | 4, 6, 8 | 4, 6, 8 | NU318-C3 | 6318-C3 |
| 315 | 2 | 2 | 6318-C3 | 6318-C3 |
| | 4, 6, 8 | 4, 6, 8 | NU318-C3 | 6318-C3 |



CMEC-Drehstrommotoren



Baureihe YX 2

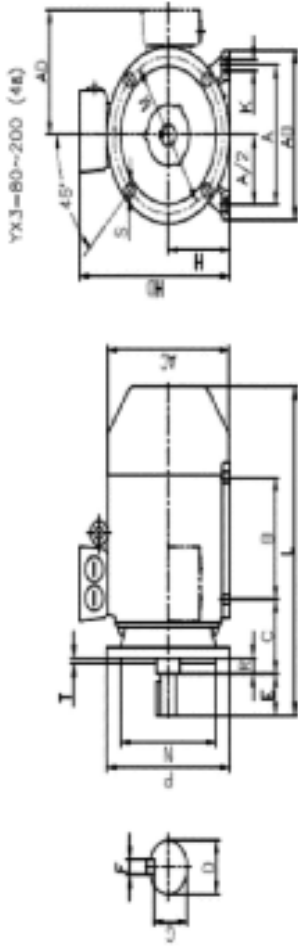
Anbaumaße mm

| Baugröße | Wellenende D | | E | | F | | A | AB | AC | AD | B | H | HD | L | | T | Flansch B5 | | | Flansch B 14 groß | | | Flansch B 14 klein | | |
|----------|--------------|----|---------|-----|---------|----|-----|-----|-----|-----|-----|-----|-----|---------|------|-----|------------|-----|-----|-------------------|-----|-----|--------------------|-----|-----|
| | Polzahl | 2 | Polzahl | 2 | Polzahl | 2 | | | | | | | | Polzahl | 2 | | P | M | N | P | M | N | P | M | N |
| 80 | 19 | 19 | 40 | 40 | 6 | 6 | 125 | 165 | 175 | 145 | 100 | 80 | 220 | 395 | 395 | 3,5 | 200 | 165 | 130 | 160 | 130 | 110 | 120 | 100 | 80 |
| 90 S | 24 | 24 | 50 | 50 | 8 | 8 | 140 | 180 | 195 | 155 | 100 | 90 | 250 | 320 | 320 | 3,5 | 200 | 165 | 130 | 160 | 130 | 110 | 120 | 115 | 95 |
| 90 L | 24 | 24 | 50 | 50 | 8 | 8 | 140 | 180 | 195 | 155 | 125 | 90 | 250 | 345 | 345 | 3,5 | 200 | 165 | 130 | 160 | 130 | 110 | 140 | 115 | 95 |
| 100 L | 28 | 28 | 60 | 60 | 8 | 8 | 160 | 205 | 215 | 180 | 140 | 100 | 270 | 385 | 385 | 4 | 250 | 215 | 180 | 200 | 165 | 130 | 160 | 130 | 110 |
| 112 M | 28 | 28 | 60 | 60 | 8 | 8 | 190 | 230 | 240 | 190 | 140 | 112 | 300 | 400 | 400 | 4 | 250 | 215 | 180 | 200 | 165 | 130 | 160 | 130 | 110 |
| 132 S | 38 | 38 | 80 | 80 | 10 | 10 | 216 | 270 | 275 | 210 | 140 | 132 | 345 | 470 | 470 | 4 | 300 | 265 | 230 | 250 | 215 | 160 | 200 | 165 | 130 |
| 132 M | 38 | 38 | 80 | 80 | 10 | 10 | 216 | 270 | 275 | 210 | 178 | 132 | 345 | 510 | 510 | 4 | 300 | 265 | 230 | 250 | 215 | 160 | 200 | 165 | 130 |
| 160 M | 42 | 42 | 110 | 110 | 12 | 12 | 254 | 320 | 330 | 255 | 210 | 160 | 420 | 615 | 615 | 5 | 350 | 300 | 250 | | | | | | |
| 160 L | 42 | 42 | 110 | 110 | 12 | 12 | 254 | 320 | 330 | 255 | 254 | 160 | 420 | 670 | 670 | 5 | 350 | 300 | 250 | | | | | | |
| 180 M | 48 | 48 | 110 | 110 | 14 | 14 | 279 | 355 | 380 | 280 | 241 | 180 | 455 | 700 | 700 | 5 | 350 | 300 | 250 | | | | | | |
| 180 L | 48 | 48 | 110 | 110 | 14 | 14 | 279 | 355 | 380 | 280 | 279 | 180 | 455 | 740 | 740 | 5 | 350 | 300 | 250 | | | | | | |
| 200 L | 55 | 55 | 110 | 110 | 16 | 16 | 318 | 395 | 420 | 305 | 305 | 200 | 505 | 770 | 770 | 5 | 400 | 350 | 300 | | | | | | |
| 225 S | - | 60 | - | 140 | - | 18 | 356 | 435 | 470 | 335 | 286 | 225 | 560 | - | 815 | 5 | 450 | 400 | 350 | | | | | | |
| 225 M | 55 | 60 | 110 | 140 | 16 | 18 | 356 | 435 | 470 | 335 | 311 | 225 | 560 | 820 | 845 | 5 | 450 | 400 | 350 | | | | | | |
| 250 M | 60 | 65 | 140 | 140 | 18 | 18 | 406 | 490 | 510 | 370 | 349 | 250 | 615 | 910 | 910 | 5 | 550 | 500 | 450 | | | | | | |
| 280 S | 65 | 75 | 140 | 140 | 18 | 20 | 457 | 550 | 580 | 410 | 368 | 280 | 680 | 985 | 985 | 5 | 550 | 500 | 450 | | | | | | |
| 280 M | 65 | 75 | 140 | 140 | 18 | 20 | 457 | 550 | 580 | 410 | 419 | 280 | 680 | 1035 | 1035 | 5 | 550 | 500 | 450 | | | | | | |
| 315 S | 65 | 80 | 140 | 170 | 18 | 22 | 508 | 635 | 645 | 530 | 406 | 315 | 845 | 1160 | 1270 | 6 | 660 | 600 | 550 | | | | | | |
| 315 M | 65 | 80 | 140 | 170 | 18 | 22 | 508 | 635 | 645 | 530 | 457 | 315 | 845 | 1190 | 1300 | 6 | 660 | 600 | 550 | | | | | | |
| 315 L | 65 | 80 | 140 | 170 | 18 | 22 | 508 | 635 | 645 | 530 | 508 | 315 | 845 | 1190 | 1300 | 6 | 660 | 600 | 550 | | | | | | |

| Für Motor YX2 | | Wälzlagergröße | |
|---------------|---------|------------------------------|---------------------------|
| Bau- größe | Polzahl | Antriebs-Seite /AS-Lager/ | Gegen-Seite /BS-Lager/ |
| 80 | 2,4,6 | 6204-2RS | |
| 90 | 2,4,6,8 | 6205-2RS | |
| 100 | 2,4,6,8 | 6206-2RS | |
| 112 | 2,4,6,8 | 6306-2RS | |
| 132 | 2,4,6,8 | 6308-2RS | |
| 160 | 2,4,6,8 | 6309-2RS | |
| 180 | 2,4,6,8 | 6311-2RS | |
| 200 | 2 | 6312 C3 | |
| | 4,6,8 | B3 | NU312 6312 C3 |
| 225 | 2 | | 6312 |
| | 4,6,8 | B3 | NU313 6312 |
| 250 | 2 | | 6313 |
| | 4,6,8 | B3 | NU314 6313 |
| 280 | 2 | | 6314 |
| | 4,6,8 | B3 | NU317 6314 |
| 315 | 2 | | 6317 |
| 315 | 4,6,8 | B3 | NU319 6319 |



CMEC-Drehstrommotoren



Baureihe YX3

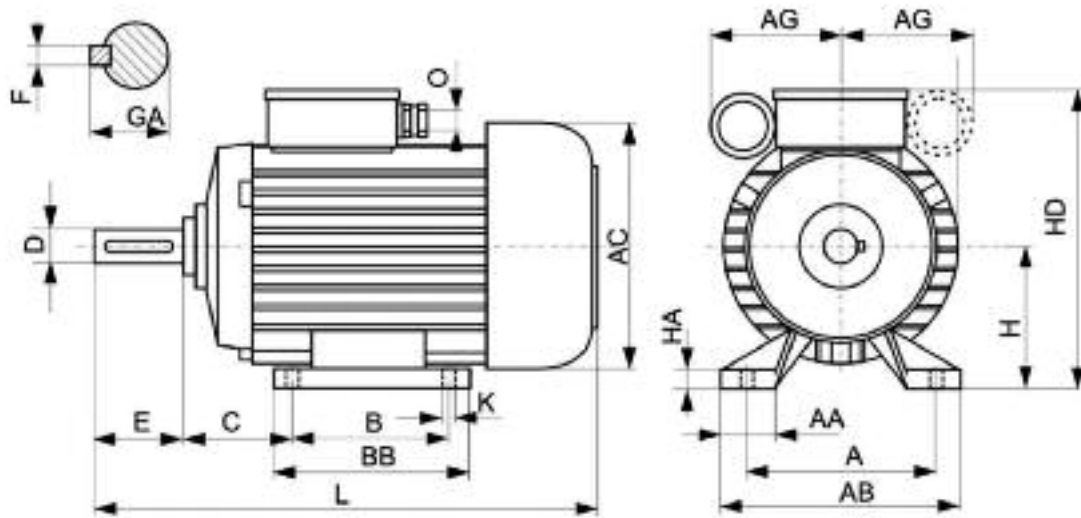
Anbaumaße mm

| Baugröße | Wellenende | | E | | F | | A | | AB | | AC | | AD | | B | | H | | HD | | L | | T | | Flansch B5 | | | Flansch B14 groß | | | Flansch B14 klein | | |
|----------|------------|----|-----|---------|----|-----|---------|-----|-----|---------|-----|-----|---------|------|-----|---------|-----|-----|---------|-----|-----|---------|-----|-----|------------|-----|----|------------------|---|---|-------------------|---|---|
| | Polzahl | 2 | 4,6 | Polzahl | 2 | 4,6 | Polzahl | 2 | 4,6 | Polzahl | 2 | 4,6 | Polzahl | 2 | 4,6 | Polzahl | 2 | 4,6 | Polzahl | 2 | 4,6 | Polzahl | 2 | 4,6 | P | M | N | P | M | N | P | M | N |
| 80 | 19 | 19 | 40 | 40 | 6 | 6 | 125 | 165 | 175 | 145 | 100 | 80 | 220 | 295 | 295 | 3,5 | 200 | 165 | 130 | 160 | 130 | 110 | 160 | 130 | 120 | 100 | 80 | | | | | | |
| 90 S | 24 | 24 | 50 | 50 | 8 | 8 | 140 | 180 | 195 | 155 | 90 | 250 | 355 | 355 | 3,5 | 200 | 165 | 130 | 160 | 130 | 110 | 160 | 130 | 120 | 115 | 95 | | | | | | | |
| 90 L | 24 | 24 | 50 | 50 | 8 | 8 | 140 | 180 | 195 | 155 | 90 | 250 | 385 | 385 | 3,5 | 200 | 165 | 130 | 160 | 130 | 110 | 160 | 130 | 140 | 115 | 95 | | | | | | | |
| 100 L | 28 | 28 | 60 | 60 | 8 | 8 | 160 | 205 | 215 | 180 | 100 | 270 | 432 | 432 | 4 | 250 | 215 | 180 | 200 | 160 | 130 | 110 | 200 | 160 | 130 | 110 | | | | | | | |
| 112 M | 28 | 28 | 60 | 60 | 8 | 8 | 190 | 230 | 240 | 190 | 112 | 300 | 468 | 468 | 4 | 250 | 215 | 180 | 200 | 160 | 130 | 110 | 200 | 160 | 130 | 110 | | | | | | | |
| 132 S | 38 | 38 | 80 | 80 | 10 | 10 | 216 | 270 | 275 | 210 | 132 | 345 | 508 | 508 | 4 | 300 | 265 | 230 | 250 | 200 | 160 | 130 | 250 | 200 | 165 | 130 | | | | | | | |
| 132 M | 38 | 38 | 80 | 80 | 10 | 10 | 216 | 270 | 275 | 210 | 132 | 345 | 558 | 558 | 4 | 300 | 265 | 230 | 250 | 200 | 160 | 130 | 250 | 200 | 165 | 130 | | | | | | | |
| 160 M | 42 | 42 | 110 | 110 | 12 | 12 | 254 | 320 | 330 | 255 | 160 | 420 | 670 | 670 | 5 | 350 | 300 | 250 | 350 | 300 | 250 | 250 | 350 | 300 | 215 | 160 | | | | | | | |
| 160 L | 42 | 42 | 110 | 110 | 12 | 12 | 254 | 320 | 330 | 255 | 160 | 420 | 700 | 700 | 5 | 350 | 300 | 250 | 350 | 300 | 250 | 250 | 350 | 300 | 215 | 160 | | | | | | | |
| 180 M | 48 | 48 | 110 | 110 | 14 | 14 | 279 | 355 | 380 | 280 | 180 | 455 | 740 | 740 | 5 | 350 | 300 | 250 | 350 | 300 | 250 | 250 | 350 | 300 | 215 | 160 | | | | | | | |
| 180 L | 48 | 48 | 110 | 110 | 14 | 14 | 279 | 355 | 380 | 280 | 180 | 455 | 790 | 790 | 5 | 350 | 300 | 250 | 350 | 300 | 250 | 250 | 350 | 300 | 215 | 160 | | | | | | | |
| 200 L | 55 | 55 | 110 | 110 | 16 | 16 | 318 | 395 | 420 | 305 | 200 | 505 | 770 | 770 | 5 | 400 | 350 | 300 | 400 | 350 | 300 | 250 | 400 | 350 | 215 | 160 | | | | | | | |
| 225 S | - | 60 | - | 140 | - | 18 | 356 | 435 | 470 | 335 | 225 | 560 | - | 815 | 5 | 450 | 400 | 350 | 450 | 400 | 350 | 250 | 450 | 400 | 215 | 160 | | | | | | | |
| 225 M | 55 | 60 | 110 | 140 | 16 | 18 | 356 | 435 | 470 | 335 | 225 | 560 | 820 | 845 | 5 | 450 | 400 | 350 | 450 | 400 | 350 | 250 | 450 | 400 | 215 | 160 | | | | | | | |
| 250 M | 60 | 65 | 140 | 140 | 18 | 18 | 406 | 490 | 510 | 370 | 250 | 615 | 915 | 915 | 5 | 550 | 500 | 450 | 550 | 500 | 450 | 250 | 550 | 500 | 215 | 160 | | | | | | | |
| 280 S | 65 | 75 | 140 | 140 | 18 | 20 | 457 | 550 | 580 | 410 | 280 | 680 | 985 | 985 | 5 | 550 | 500 | 450 | 550 | 500 | 450 | 250 | 550 | 500 | 215 | 160 | | | | | | | |
| 280 M | 65 | 75 | 140 | 140 | 18 | 20 | 457 | 550 | 580 | 410 | 280 | 680 | 1035 | 1035 | 5 | 550 | 500 | 450 | 550 | 500 | 450 | 250 | 550 | 500 | 215 | 160 | | | | | | | |
| 315 S | 65 | 80 | 140 | 170 | 18 | 22 | 508 | 635 | 645 | 530 | 315 | 845 | 1215 | 1215 | 6 | 660 | 600 | 550 | 660 | 600 | 550 | 280 | 660 | 600 | 215 | 160 | | | | | | | |
| 315 M | 65 | 80 | 140 | 170 | 18 | 22 | 508 | 635 | 645 | 530 | 315 | 845 | 1325 | 1325 | 6 | 660 | 600 | 550 | 660 | 600 | 550 | 280 | 660 | 600 | 215 | 160 | | | | | | | |
| 315 L | 65 | 80 | 140 | 170 | 18 | 22 | 508 | 635 | 645 | 530 | 315 | 845 | 1325 | 1325 | 6 | 660 | 600 | 550 | 660 | 600 | 550 | 280 | 660 | 600 | 215 | 160 | | | | | | | |

| Für Motor YX2 | | Wälzlagergröße | |
|---------------|---------|----------------------------|-------------------------|
| Bau- größe | Polzahl | Antriebs-Seite AS-Lager | Gegen-Seite BS-Lager |
| 80 | 2,4,6 | 6204-2RS | |
| 90 | 2,4,6,8 | 6205-2RS | |
| 100 | 2,4,6,8 | 6206-2RS | |
| 112 | 2,4,6,8 | 6306-2RS | |
| 132 | 2,4,6,8 | 6308-2RS | |
| 160 | 2,4,6,8 | 6309-2RS | |
| 180 | 2,4,6,8 | 6311-2RS | |
| 200 | 2 | 6312 C3 | |
| | 4,6,8 | B3 | NU312 6312 C3 |
| 225 | 2 | | 6312 |
| | 4,6,8 | B3 | NU313 6312 |
| 250 | 2 | | 6313 |
| | 4,6,8 | B3 | NU314 6313 |
| 280 | 2 | | 6314 |
| | 4,6,8 | B3 | NU317 6314 |
| 315 | 2 | | 6317 |
| 315 | 4,6,8 | B3 | NU319 6319 |
| | 4,6,8 | B5 | 6319 6319 |

Maßblatt Einphasen-Wechselstrom-Motoren

Bauform IM B3 / Type of Construction IM B3



| Type | Maße in mm | | | | | | | | | | |
|---------|------------|-----|----|-----|-----|-----|-----|-----|----|-----|-----|
| | A | B | HA | BB | AB | AC | H | L | AA | HD | AG |
| AR 63 | 80 | 100 | 10 | 105 | 120 | 123 | 63 | 211 | 23 | 158 | 35 |
| AR 71 | 90 | 112 | 11 | 109 | 136 | 138 | 71 | 245 | 26 | 179 | 35 |
| AR 80 | 100 | 125 | 13 | 125 | 154 | 156 | 80 | 202 | 30 | 202 | 103 |
| ASR 80 | 100 | 125 | 13 | 125 | 154 | 156 | 90 | 202 | 30 | 202 | 103 |
| AR 90S | 100 | 140 | 14 | 130 | 174 | 176 | 90 | 308 | 35 | 217 | 103 |
| ASR 90S | 100 | 140 | 14 | 130 | 174 | 176 | 90 | 345 | 35 | 217 | 103 |
| AR 90L | 125 | 140 | 14 | 155 | 174 | 176 | 90 | 333 | 35 | 217 | 103 |
| ASR 90L | 125 | 140 | 14 | 155 | 174 | 176 | 90 | 370 | 35 | 217 | 103 |
| ASR 100 | 140 | 160 | 14 | 177 | 192 | 194 | 100 | 385 | 45 | 235 | 91 |